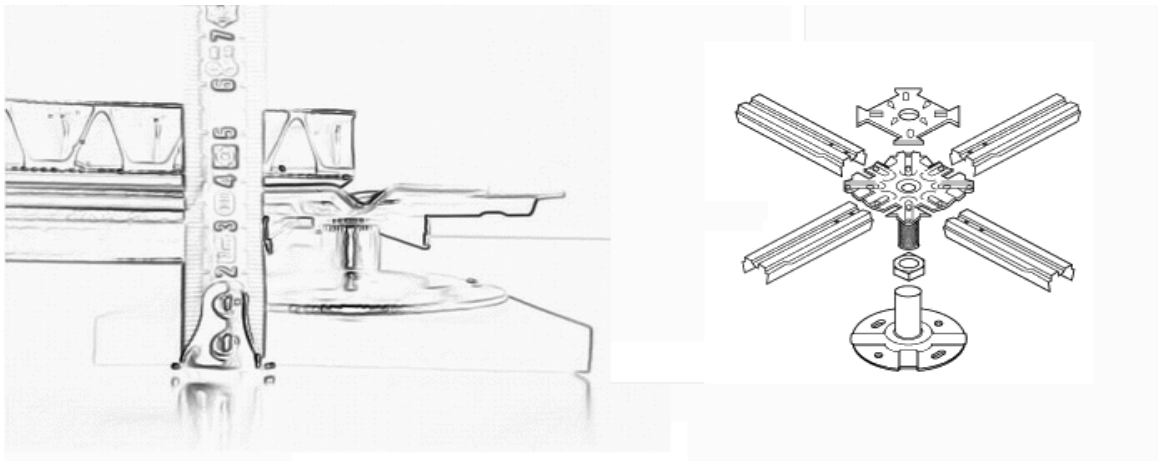


BLUFRAME[®]



Product data sheet

General Information	
description	galvanized steel structure for BLUFLOOR
type	STANDARD
Base	
diameter	90 mm
height	30 mm to 270 mm
thickness of base	2 mm
Frame	
section	U
size	28 x 38 mm
thickness of frame	1 mm
Accessories	
extra	elastomer adhesive
Mechanical and physical properties	
average load of collapse	38,86 kN and up

The BluBud sub-modular metal structure allows onboard quick installation with the innovative and micro adjustment from above.

floor_structure_type_standard_rev00