

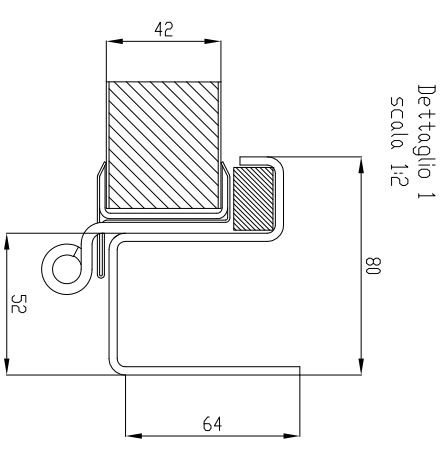
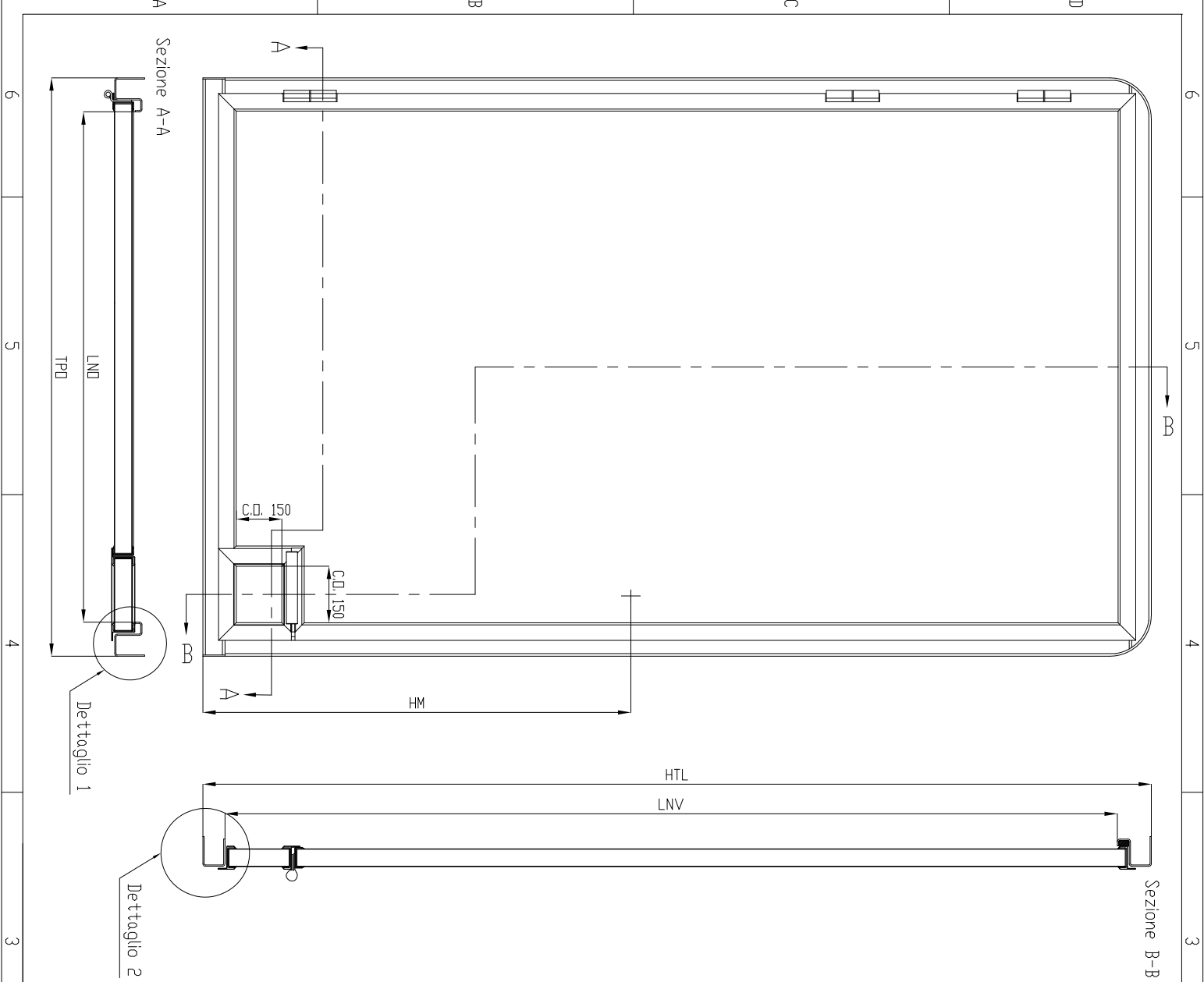


BLIND HINGED DOOR

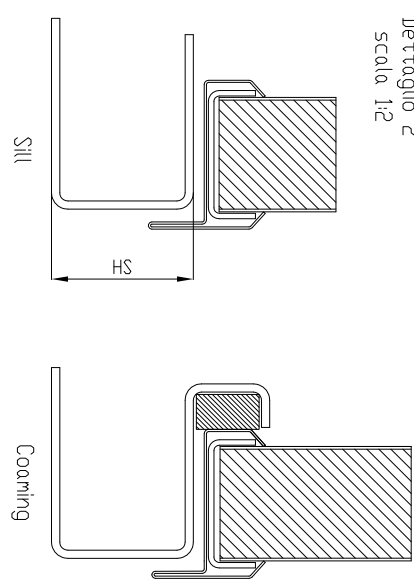
General Information	
description	Blind, single leaf, hinged door
type	New Light AWRC1A
manufacturer	Precetti SpA
Application	
fire properties	A60 Class fire resistant
certificates, approvals	RINA MED Module B Nr. MED126606CS/01
drawing number	B0050004243
Size	
max horizontal clear opening (LNO)	1010 mm
max vertical clear opening (LNV)	2010 mm
horizontal cut in bulkhead (TFO)	LNO + 164 mm + 10 mm
vertical cut in bulkhead (TFV)	LNV + 82 mm + 5 mm + sill
sill	25mm
Frame	
section shape	S
section size	80x64
thickness of steel	3 mm
materials	steel
finishing	raw (steel), paint
counter frame thickness	0,8 mm
Leaf	
concept	sandwich
thickness	41 mm
core	ISOSILIKAT P
material of skins	aluminium
coating	raw (aluminium), laminates, PVC, brushed or polished (ss)
leaf frame	paint, brushed or polished (ss)
Accessories	
standard	hinges, lockcase, gasket, caps, sill cover
extra	lockset, door closer, door stopper, hose port
width – self closing hose port	150 mm
height – self closing hose port	150 mm
Mechanical and phisical properties	
noise reduction	n.a.

Product data sheet

A60_hinged_door_type_AWRC1A_rev00



Dettaglio 1
scala 1:2



Dettaglio 2
scala 1:2

REV.	DATA / DATE	DESCRIZIONE DELLE MODIFICHE / DESCRIPTION OF ALTERATIONS	Controllato / Modified
Referimento	U. TEC. BLUBUD		Checked / Revised
Descrizione	BLIND HINGED DOOR - SINGLE LEAF - AWR/C1A		
Materiale	BLUBUD srl	Scala	1:10
Spessore		Scale	
Note		Controllato da	Disegnato da
Notes		Checked by	Drawn by
Tolleranza generale		M.M.	M.D.S.
General tolerance		Classe prodotto	AG0
Assem		Code	B0050004243
<p>Questo disegno non può essere usato o riprodotto senza nostra autorizzazione This drawing cannot be copied, duplicated or disclosed without our permission</p>			
		<p>Sede operativa: Via E. Mattei, 27 10121 Torino, Italia Tel. +39-011-889.85.53/63/88 Fax. +39-011-889.85.53/7</p> <p>Sede legale: Via Fieschi, 209 10121 Torino, Italia email: info@blubud.it www: http://www.blubud.it</p>	