

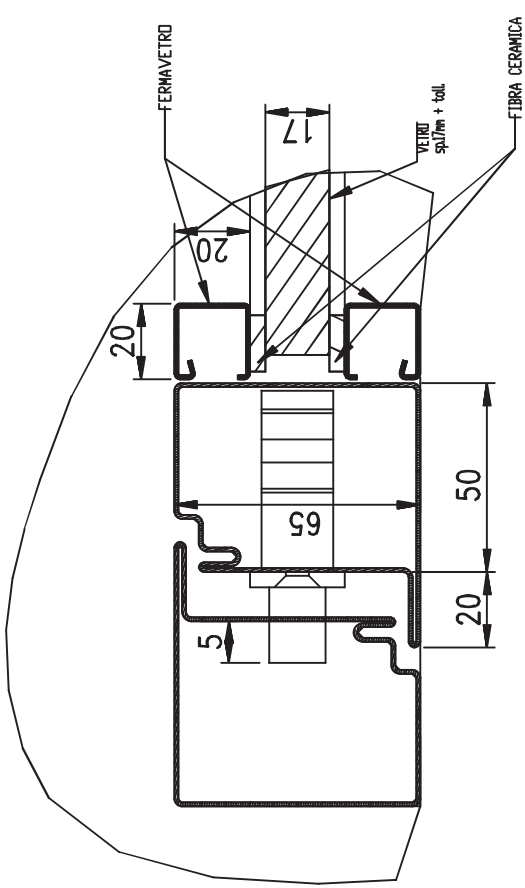
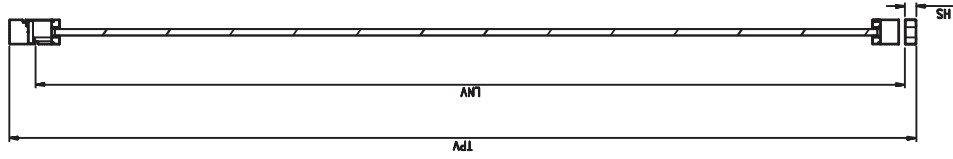
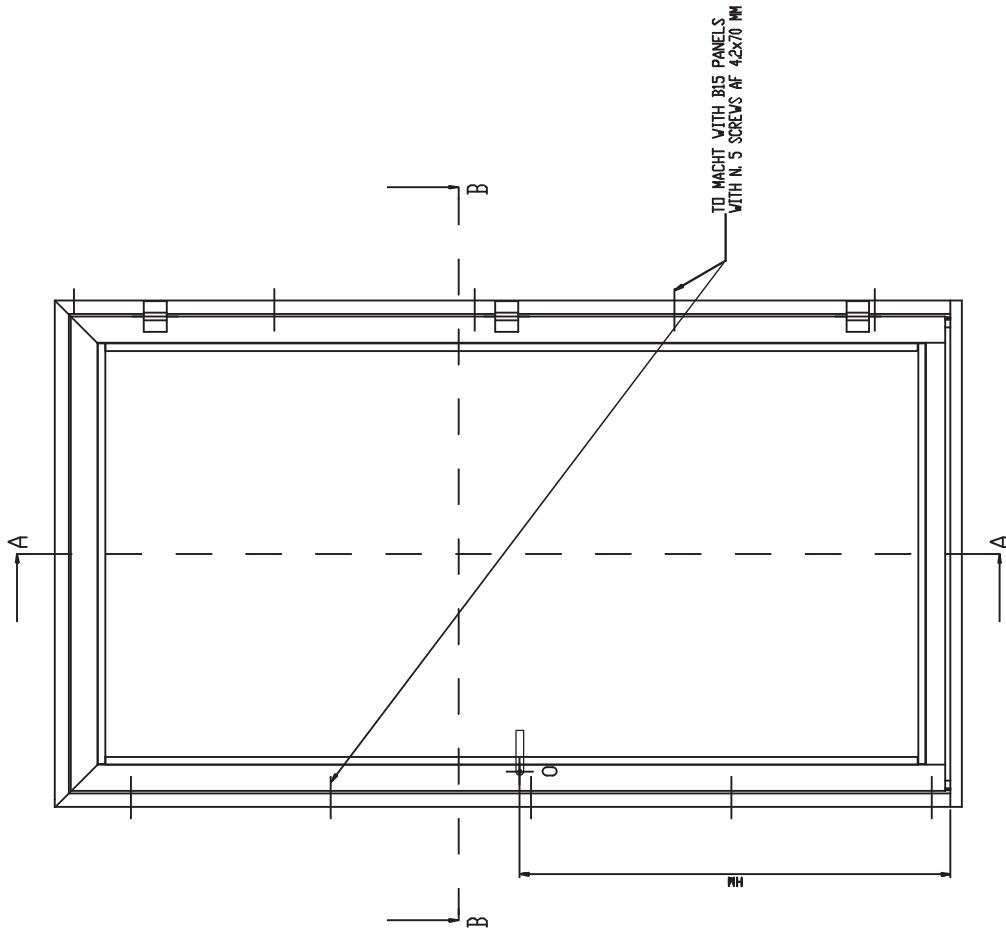


GLAZED HINGED DOOR

General Information	
description	glazed, single leaf, hinged door
type	B15DHG1
manufacturer	Blu Bud srl
Application	
fire properties	B15 Class fire resistant
certificates, approvals	RINA MED Module B Nr. MED080914CS/002
drawing number	B15DHG1
Size	
max horizontal clear opening (LNO)	1200 mm
max vertical clear opening (LNV)	2300 mm
horizontal cut in bulkhead (TPO)	LNO + 140 mm + 10 mm
vertical cut in bulkhead (TPV)	LNV + sill + 70 mm + 10 mm
<i>All relevant sizes to height and width of the doors may be increased of 15% provided that the surface area is not increased of more than 10%.</i>	
sill	25 mm
Frame	
section shape	L or T or Z
section size	see dwg
thickness of steel	1,5 mm
materials	steel
finishing	raw, paint, brushed or polished (ss), diprint, stainless steel
counter frame thickness	1,5 mm
Leaf	
glass	PYROBEL
thickness minimum of glass	17 +/- 1 mm
thickness of door leaf	65 mm
Accessories	
standard	hinges, lockcase, caps, sill cover
extra	lockset, door closer, door stopper, gaskets
decoration	custom request
Mechanical and physical properties	
noise reduction	n.a.

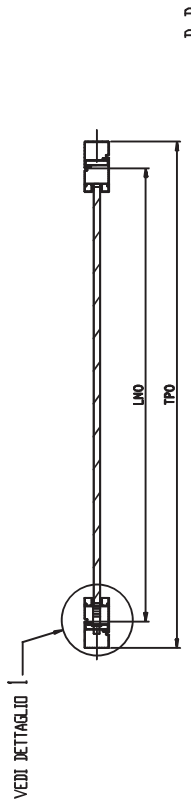
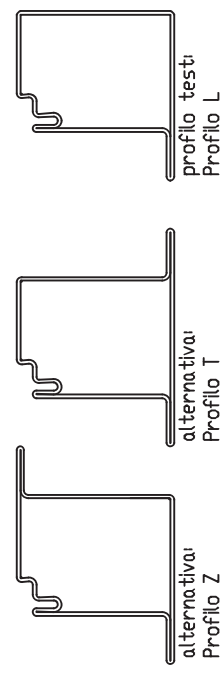
Product data sheet

B15_glazed_hinged_door_B15DHG1



DETTAGLIO 1
SCALA 1:2

TIPOLOGIE DI TELAIO



VEDI DETTAGLIO 1

02	22/07/2014	modifica altezza maniglia, inserito codice pannelli B15	Controllato Checked	Modificato Revised
REV.	DATA / DATE	DESCRIZIONE DELLE MODIFICHE / DESCRIPTION OF ALTERATIONS		
Riferimento Reference	U. TEC. BLUBUD			
Descrizione Description	B15 Glazed Hinged Door - B15DHG1			
Materiale Material	BLUBUD srl Sede operativa: Operational office: Via Ivoe, 5/3 16128 Genova - ITALY Tel. +39. 010. 8183.053 Fax. +39. 010. 8183.053			
Spessore Thickness	Pannello Panel			
Note Notes	Peso netto Kg Net Weight Kg			
Tolleranza generale General Tolerance	1/1			
A4			Classe prodotto Typology	B15DHG1
			Scala Scale	1:20
			Controllato da Checked by	P.M.
			Disegnato da Drawn by	G.T.
			Data Date	05-06-2014



Questo disegno non può essere usato o riprodotto senza nostra autorizzazione
This drawing cannot be copied, duplicated or disclosed without our permission