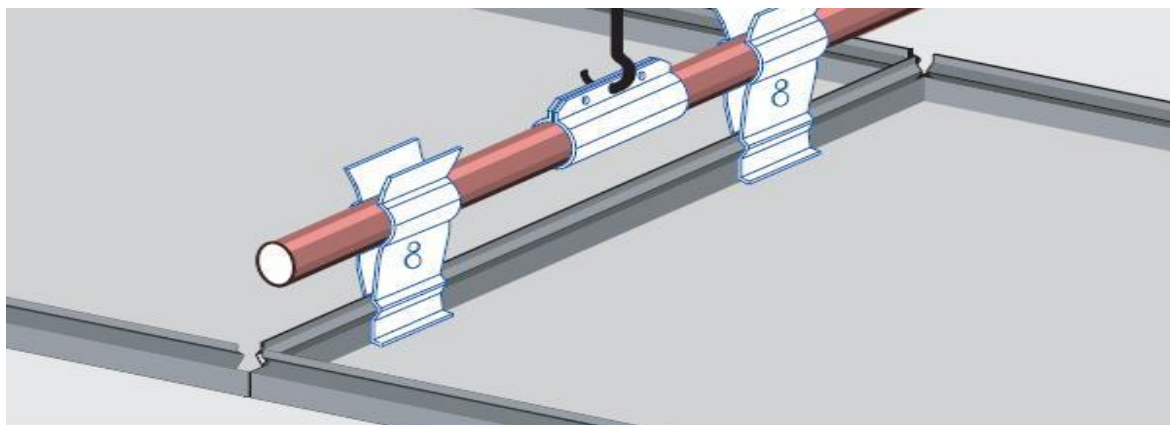


INSTALLATION ACCESSORIES



General Information

description	lining L profile
type	ACC001
manufacturer	Prometal S.p.A.

Structure

size	20x55 mm
weight	0,62 Kg/m
material	galvanized steel
length	3000 mm + toll.
thickness of profile	1,2 mm

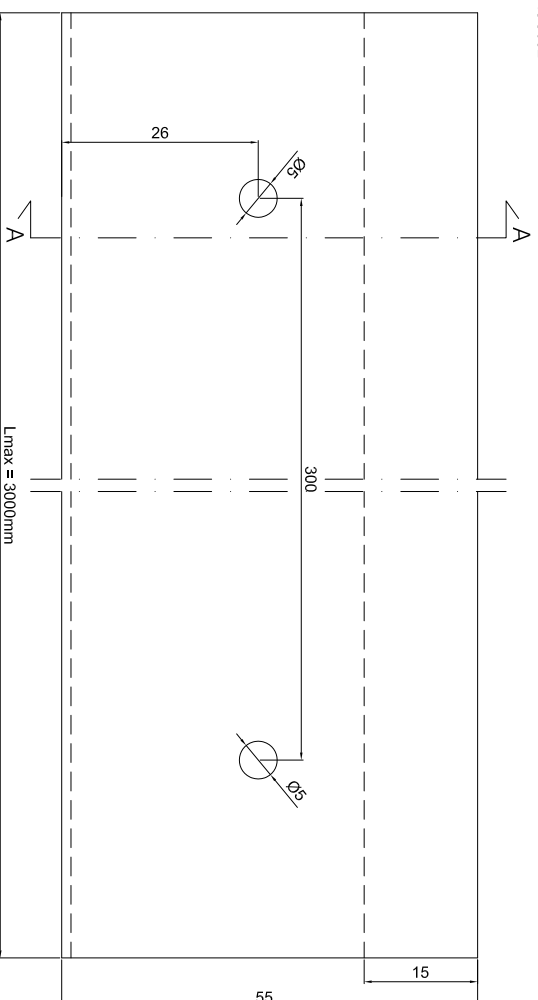
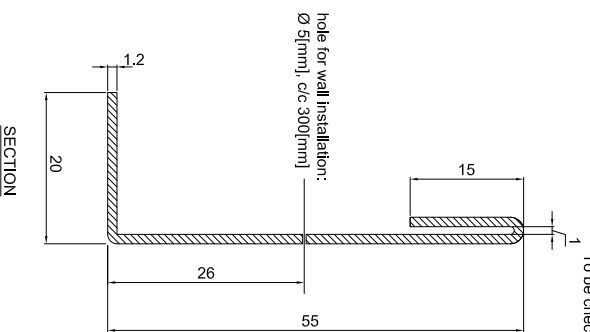
Use installation

lining profile for panels system	PSN TC, PSN TR, PSN TR2, DELTA
----------------------------------	--------------------------------

Product data sheet

installation_type_ACC001_rev01

NOTE:
To be checked with ACC032



REV.	DATA / DATE	DESCRIZIONE DELLE MODIFICHE / DESCRIPTION OF ALTERATIONS	Controllato Checked	Modificato Revised

Riferimento
Reference **U. TEC. BLUBUD**

Descrizione
Description **LINING "L" PROFILE**

Materiale Material	galvanized steel		BLU BUD srl Sede operativa: Via Iba 5/3 16128 Genova Italy Tel. +39-010.860.1379/1618 Fax. +39-010.818.30.53 Sede legale: Via Fieschi 20/9 16121 Genova Italy e-mail: info@blubud.it www: http://www.blubud.it	Scala Scale	1:1	Data Date	05-08-10
Spessore Thickness	1,2 mm			Controllato da Checked by	P.M.	Disegnato da Drawn by	M.D.S.
Note Notes	Peso netto Kg Net Weight Kg						
Tolleranza generale General tolerance	+/- 1mm						
A4				1/1			

Questo disegno non può essere usato o riprodotto senza nostra autorizzazione
This drawing cannot be copied, duplicated or disclosed without our permission