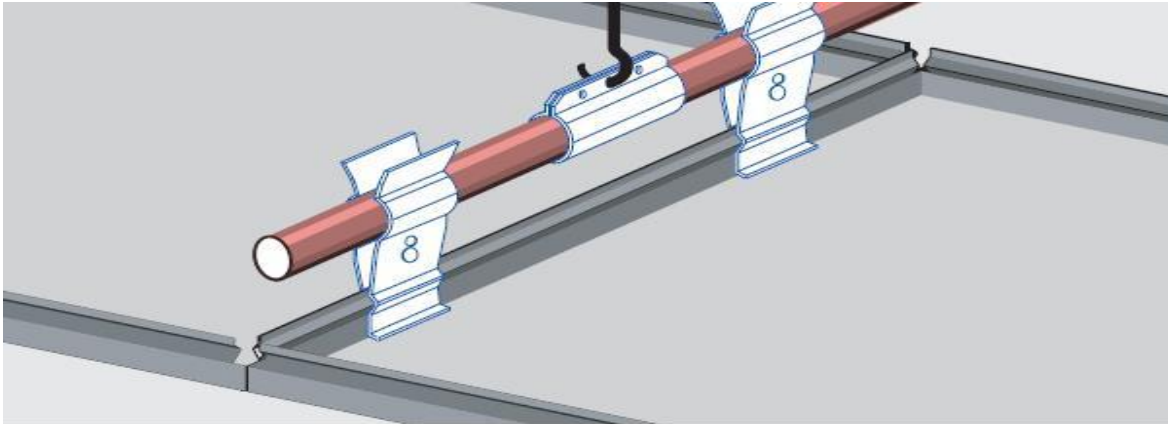


INSTALLATION ACCESSORIES



General Information

description	DELTA 1 carrier profile
type	ACC008
manufacturer	Prometal S.p.A.

Structure

weight	0,97 kg/m
material	galvanized steel or stainless steel
finishing	rough, painted, sublimated, polished mirror
length	3000 mm + toll.
thickness of profile	1,2 mm

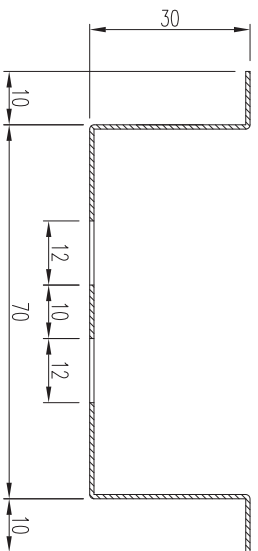
Use installation

carrier profile for ceiling panel type	DELTA
--	-------

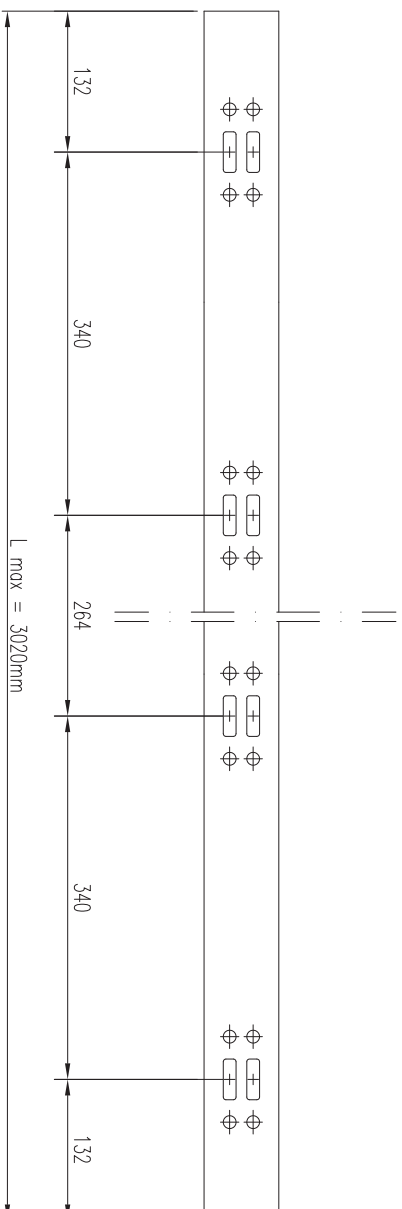
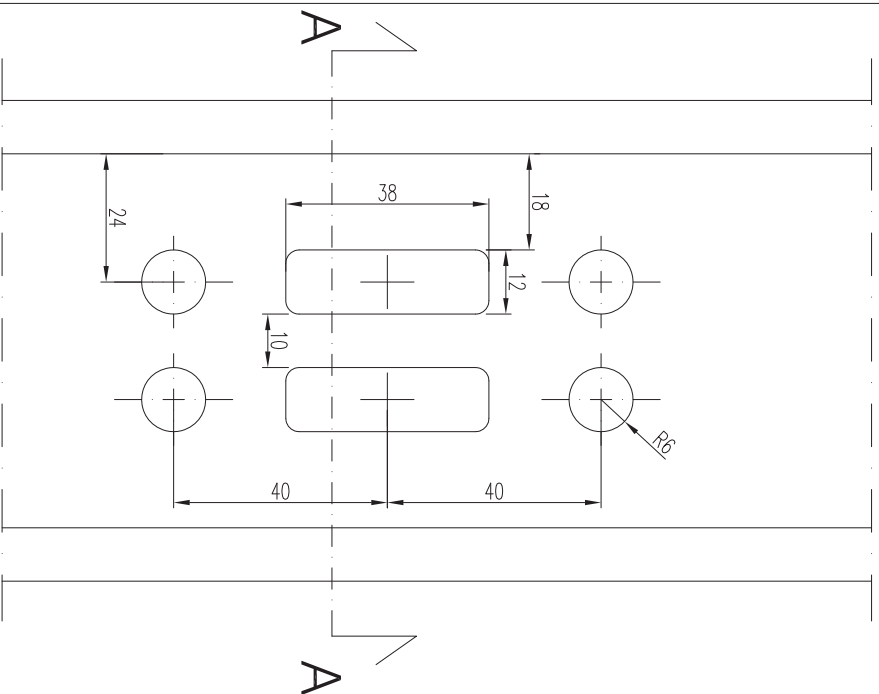
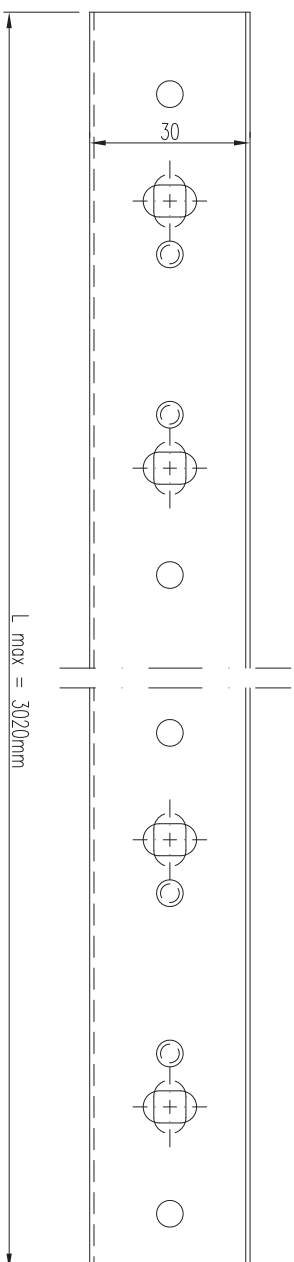
Product data sheet

installation_type_ACC008_rev00

A-A SECTION



LATERAL VIEW



PLAN VIEW
scala 1:5

REV.	DATA / DATE	DESCRIZIONE DELLE MODIFICHE / DESCRIPTION OF ALTERATIONS	Controllato Checked	Modificato Revised
Riferimento Reference U. TEC. BLUBUD				
Descrizione Description CARRIER PROFILE "type 1" - DELTA SYSTEM				
Materiale Material	galvanized steel			
Spessore Thickness	0,8 mm			
Note	Peso netto Kg Net Weight Kg			
Tolleranza generale General tolerance	+/- 1mm			
A3	1/1	Questo disegno non può essere usato o riprodotto senza nostra autorizzazione This drawing cannot be copied, duplicated or disclosed without our permission		
		BLUBUD srl Sede operativa: Via Ika 5/3 16128 Genova Italy Tel. +39-010-818.30.53 Fax. +39-010-818.30.53 Sede legale: Via Fieschi 20/9 16121 Genova Italy e-mail: info@blubud.it www: http://www.blubud.it		
		Scala Scale	Data Date	Controllato da Checked by
Classe prodotto Typology		1:1	P.M.	05-08-10
Codice Code		Disegnato da Drawn by M.D.S.		
		ACC008		

DETAIL PLAN VIEW