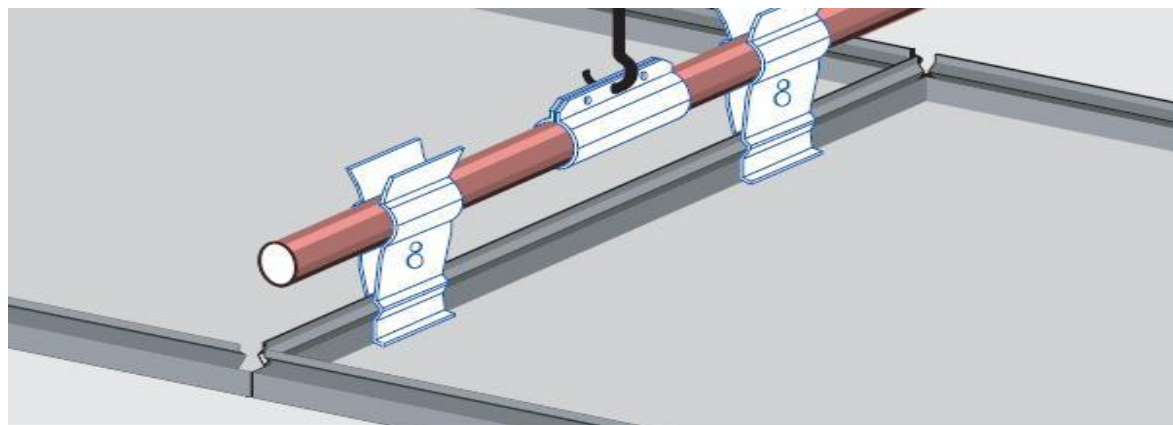


INSTALLATION ACCESSORIES



General Information

description	DELTA 2 carrier profile
type	ACC009
manufacturer	Prometal S.p.A.

Structure

weight	1,1 kg/m
material	galvanized steel or stainless steel
finishing	rough, painted, sublimated, polished mirror
length	3000 mm + toll.
thickness of profile	1,2 mm

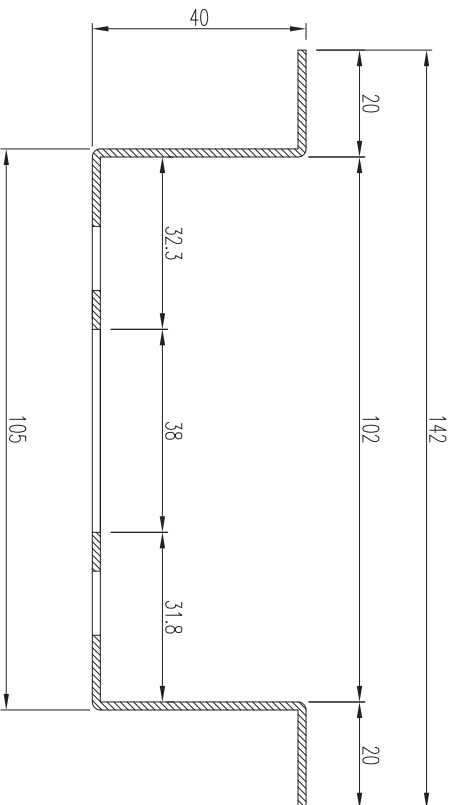
Use installation

carrier profile for ceiling panel type	DELTA
--	-------

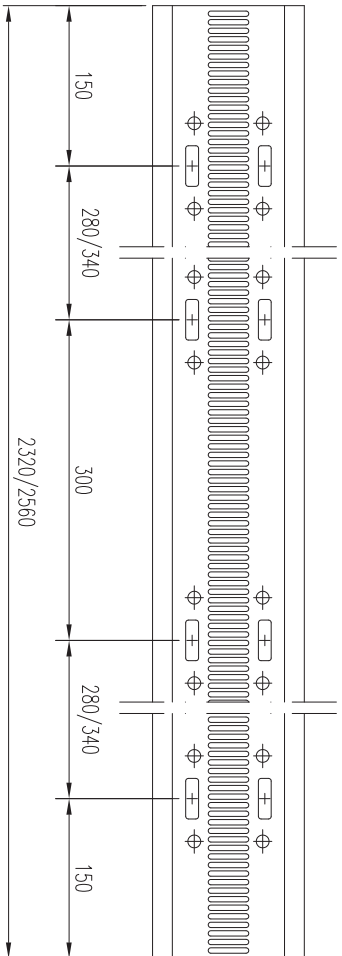
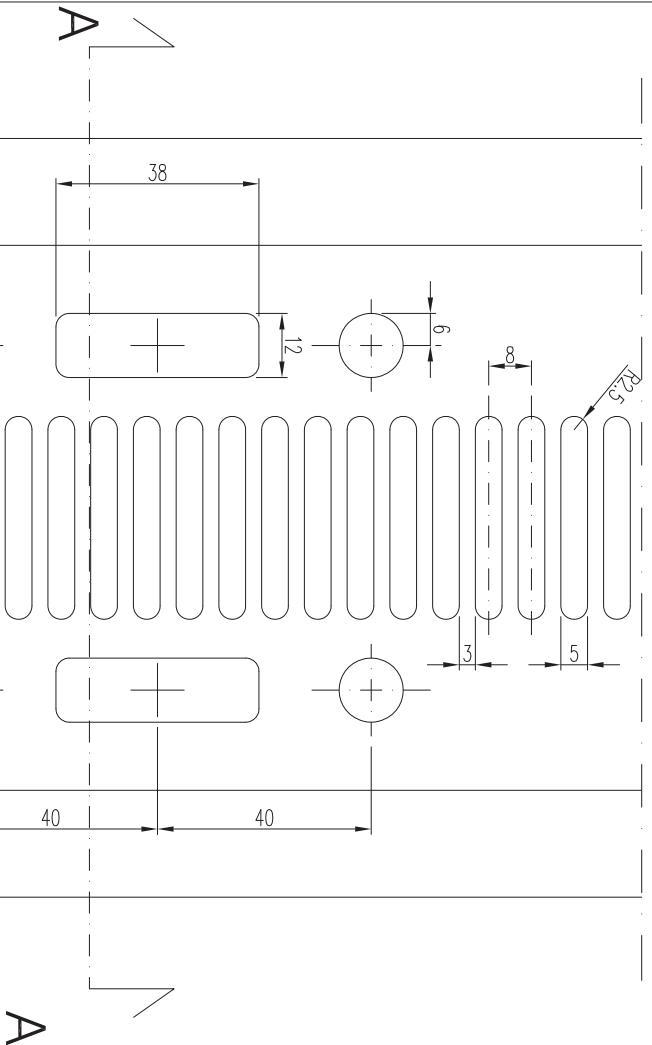
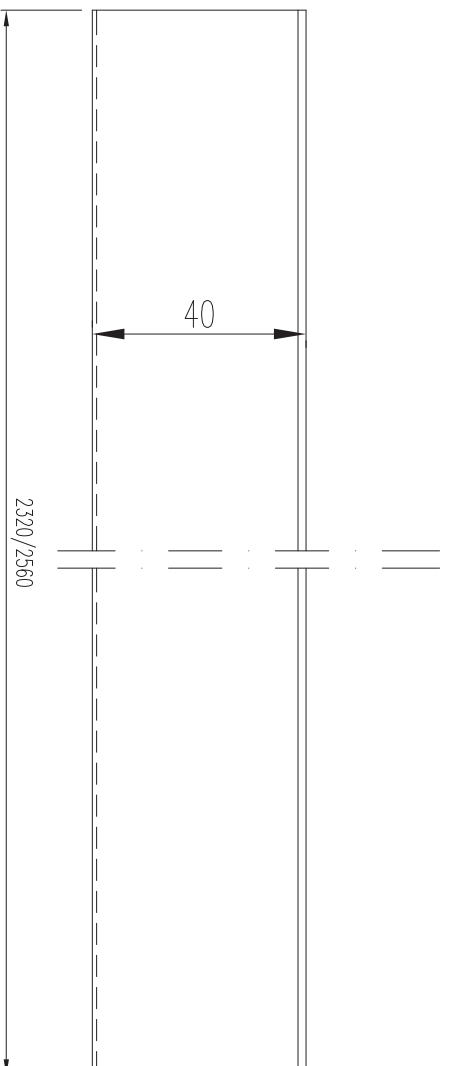
Product data sheet

installation_type_ACC009_rev00

A-A SECTION



LATERAL VIEW



PLAN VIEW

REV.	DATA / DATE	DESCRIZIONE DELLE MODIFICHE / DESCRIPTION OF ALTERATIONS	Controllo Checked	Modificato Revised
Riferimento Reference	U. TEC. BLUBUD			
Descrizione Description	CARRIER PROFILE - DELTA 2 SYSTEM			
Materiale Material	galvanized steel			
Spessore Thickness	1,5 mm			
Note Notes	Peso netto Kg Net Weight Kg painted black			
Tolleranza generale General tolerance	+/-1mm			
A3	1/1	Questo disegno non può essere usato o riprodotto senza nostra autorizzazione This drawing cannot be copied, duplicated or disclosed without our permission		
		Sede operativa: Via Ilika 5/3 16128 Genova Italy Tel. +390103791618 Fax. +39010381830353 Sede legale: Via Fieschi 20/9 16121 Genova Italy e-mail: info@blubud.it www: http://www.blubud.it		
Classe prodotto Typology	Scala Scale	Controllato da Checked by	Data Date	
	1:1	P.M.	05-08-10	
Codice Code	Disegnato da Drawn by		M.D.S.	
	ACC009			

DETAIL PLAN VIEW