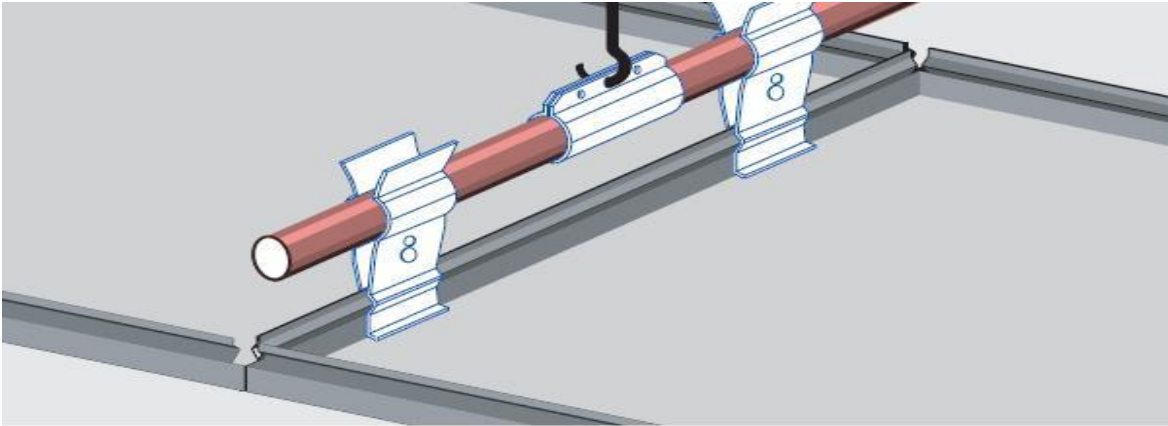


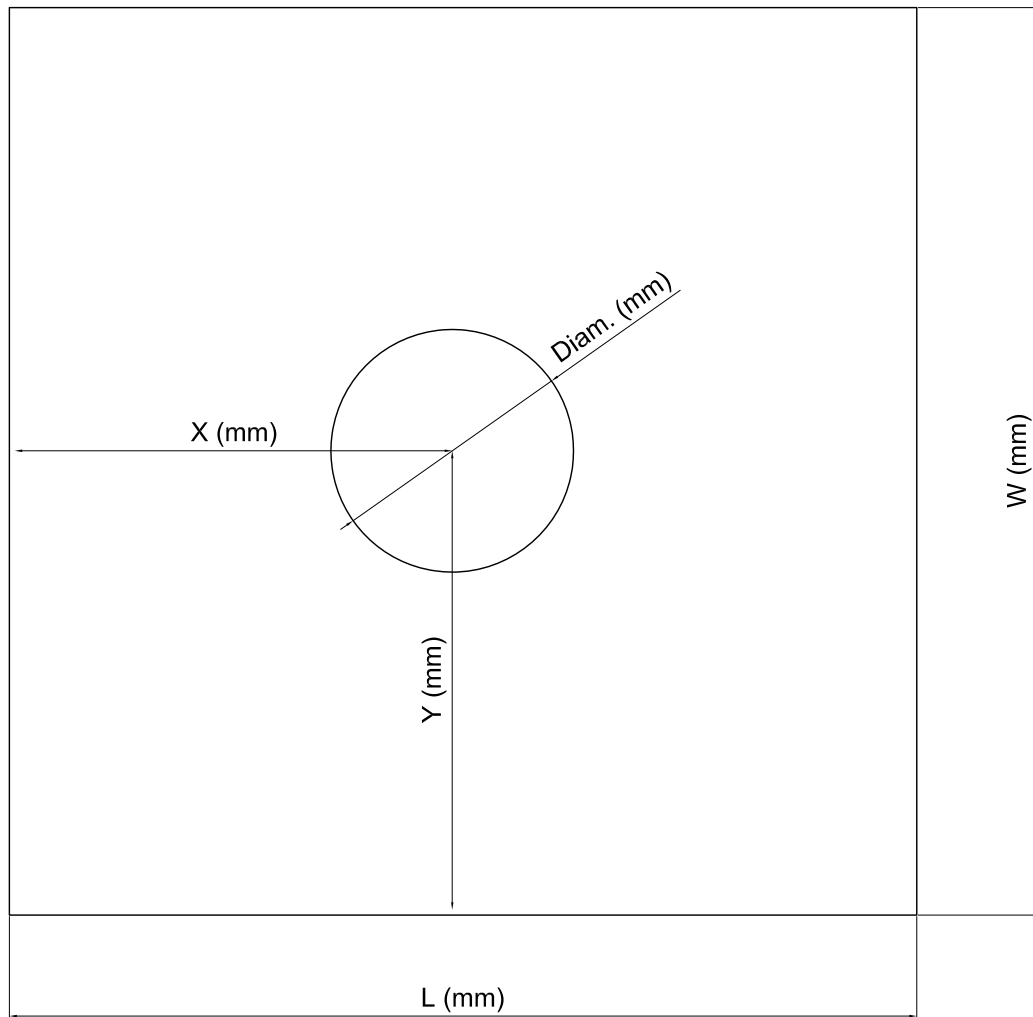
INSTALLATION ACCESSORIES




Product data sheet

General Information	
description	CutOut and Adapter for Panels Accessories
type	ACC022
manufacturer	various
Structure	
weight	-
material	galvanized steel
finishing	rough
size	see dwg
thickness	-
Use installation	
primary structure for ceiling panel type	PSN TC, PSN TR, PSN TR2, DELTA

installation_type_ACC022_rev00



PLAN VIEW
scale 1:5

REV.	DATA / DATE	DESCRIZIONE DELLE MODIFICHE / DESCRIPTION OF ALTERATIONS	Controllato Checked	Modificato Revised
Riferimento Reference		U. TEC. BLUBUD		
Descrizione Description		CUTOUTS AND STIFFNER FOR PANELS WITH ACCESSORIES		
Materiale Material			Scala Scale	Data Date
Spessore Thickness			1:5	27-01-12
Note Notes	Peso netto Kg Net Weight Kg		Controllato da Checked by	Disegnato da Drawn by
Tolleranza generale General tolerance			P.M.	M.D.S.
A4	1/1	Questo disegno non può essere usato o riprodotto senza nostra autorizzazione This drawing cannot be copied, duplicated or disclosed without our permission	Classe prodotto Typology	ACC022

BLU BUD srl

Sede operativa:
Via Ilva 5/3
16128 Genova Italy
Tel. +39-010.860.1379/1618
Fax. +39-010.818.30.53

Sede legale:
Via Fieschi 20/9
16121 Genova Italy

e-mail: info@blubud.it
www: <http://www.blubud.it>