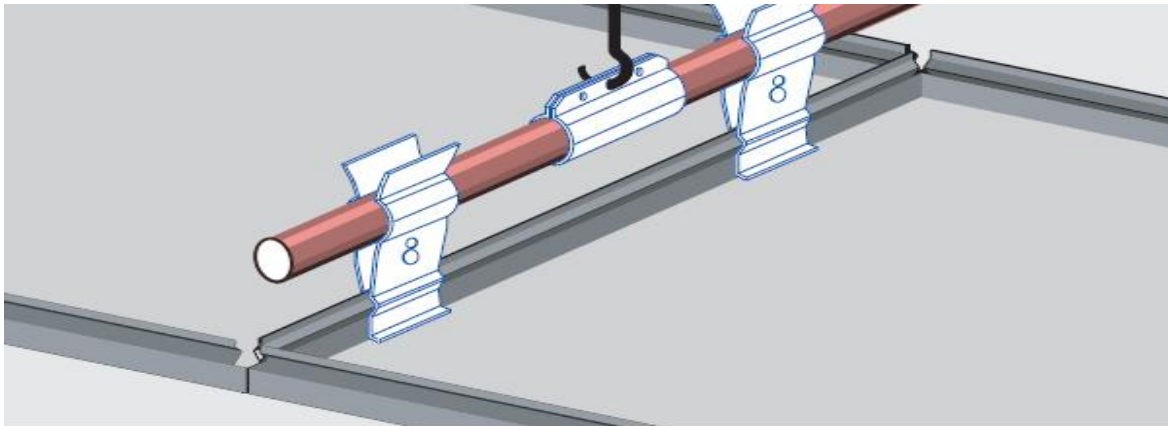


## INSTALLATION ACCESSORIES



Product data sheet

### General Information

|              |  |
|--------------|--|
| description  | Wire Spring for TR system + TF Carrier |
| type         | ACC039                                 |
| manufacturer | Blu Bud srl                            |

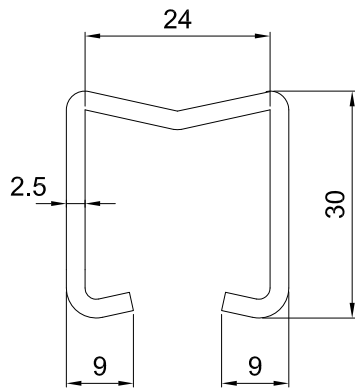
### Structure

|           |                  |
|-----------|------------------|
| weight    | 0.005 kg/pz      |
| material  | Galvanized steel |
| finishing | rough            |
| size      | See dwg          |
| thickness | 2,5 mm           |

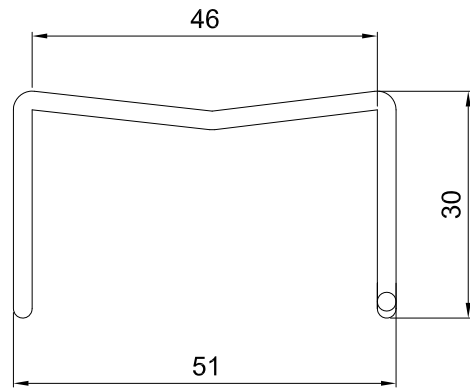
### Use installation

|                           |          |
|---------------------------|----------|
| Wire Spring for TR system | ASM TR07 |
|---------------------------|----------|

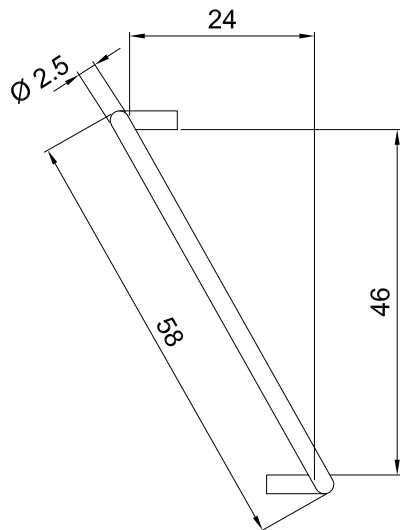
installation\_type\_ACC039\_rev00



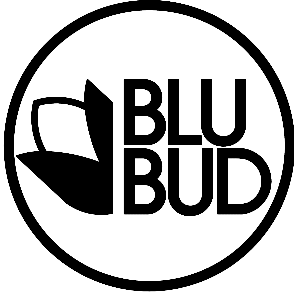
LATERAL VIEW  
scale 1:1



LATERAL VIEW  
scale 1:1



PLAN VIEW  
scale 1:1

|  |   |   |   |                          |
|--|---|---|---|--------------------------|
| REV.                                     | DATA / DATE                                 | DESCRIZIONE DELLE MODIFICHE / DESCRIPTION OF ALTERATIONS                            | Controllato<br>Checked  | Modificato<br>Revised    |
| Riferimento<br>Reference                 | U. TEC. BLUBUD                              |   |   |                          |
| Descrizione<br>Description               | "PSN-TR" SYSTEM - WIRE SPRINGS FOR ASM TR07 |   |   |                          |
| Materiale<br>Material                    | galvanized steel                            |  | Scala<br>Scale  | Data<br>Date             |
| Spessore<br>Thickness                    | diam. 2,5 mm                                |   | 1:1   | 28-08-12                 |
| Note<br>Notes                            | Peso netto Kg<br>Net Weight Kg              |   | Controllato da<br>Checked by  | Disegnato da<br>Drawn by |
|  |   |   | P.M.  | M.D.S.                   |
| Tolleranza generale<br>General tolerance | - +/-0,5mm                                  |   | Classe prodotto<br>Typology   |                          |
| A4                                       |   | 1/1   | Questo disegno non può essere usato o riprodotto senza nostra autorizzazione<br>This drawing cannot be copied, duplicated or disclosed without our permission | Codice<br>Code<br>ACC039 |

BLUBUD srl

Sede operativa:  
Via Ilva 5/3  
16121 Genova Italy  
Tel. +39-010.860.1379/1618  
Fax. +39-010.818.30.53

Sede legale:  
Via Fieschi 20/9  
16121 Genova Italy

e-mail: info@blubud.it  
www: http://www.blubud.it