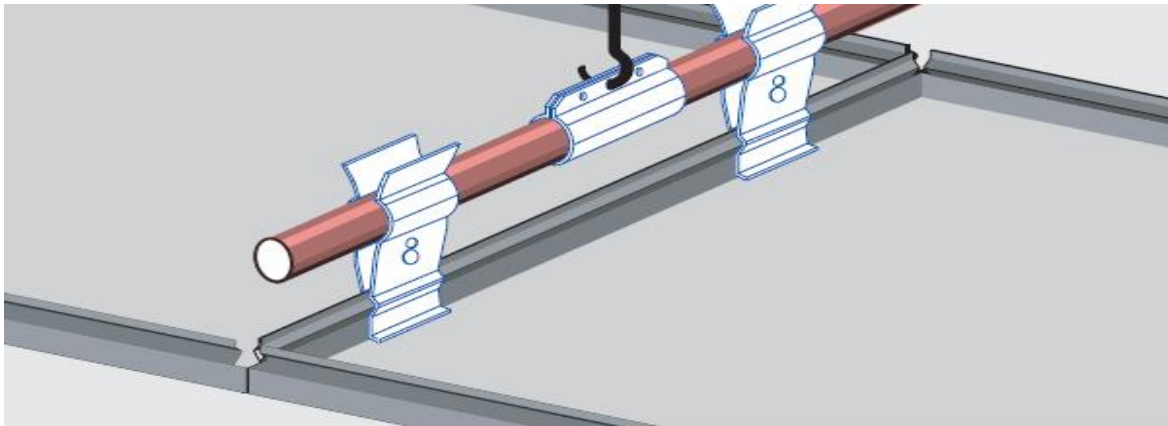


INSTALLATION ACCESSORIES



General Information

| | |
|--------------|------------------------|
| description | Half T carrier Gap 4mm |
| type | ACC041 |
| manufacturer | Blu Bud srl |

Structure

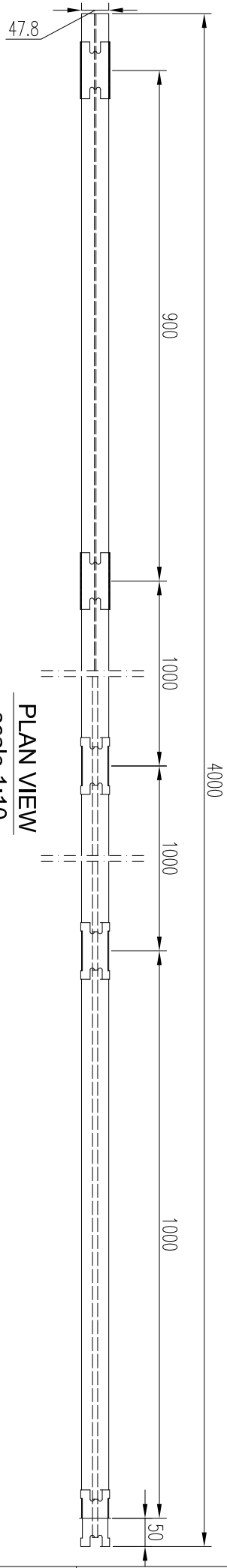
| | |
|-----------|------------------|
| weight | 0.03 kg/pz |
| material | Galvanized steel |
| finishing | rough |
| size | See dwg |
| thickness | See dwg |

Use installation

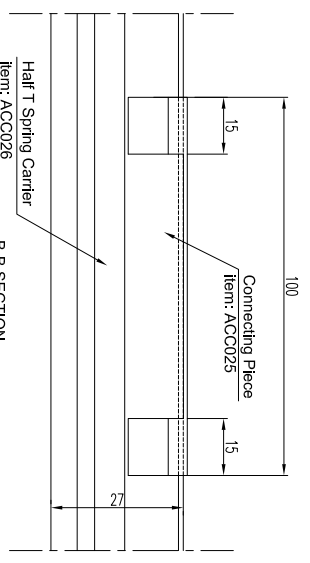
| | |
|--|----------|
| Half T Carrier Profile for PSN-TR System | ASM TR02 |
|--|----------|

Product data sheet

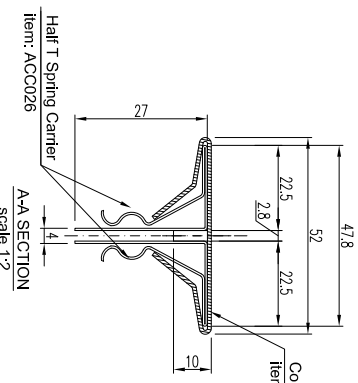
installation_type_ACC041_rev00



PLAN VIEW
scale 1:10

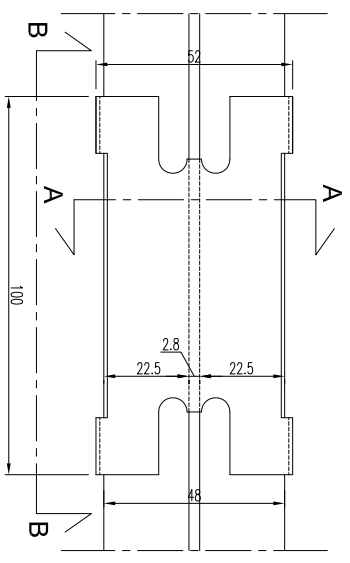


Half T Spring Carrier
Item: ACC026
B-B SECTION
scale 1:2



Half T Spring Carrier
Item: ACC026
A-A SECTION
scale 1:2

| ITEM | DESCRIPTION | N° pc. |
|--------|---|--------|
| ACC025 | Connecting Piece - Gap10 (step 1000mm) | 5 |
| ACC026 | Half T - Spring Carrier (Length 4000mm) | 2 |



PLAN VIEW
scale 1:2

| REV. | DATA / DATE | DESCRIZIONE DELLE MODIFICHE / DESCRIPTION OF ALTERATIONS | Controllato / Checked | Modificato / Revised |
|------|-------------|--|-----------------------|----------------------|
| | | | | |

Riferimento
Reference **Technical Office - BLUBUD srl**

Descrizione
Description **"PSN TR" SYSTEM - HALF T CARRIER PROFILE FOR ASM TR02**

Materiale
Material - **Galvanized Steel**

Spessore
Thickness - **0,8mm**

Note
Notes **Peso netto Kg / Net Weight Kg**

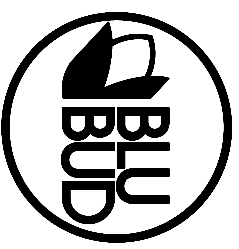
Painted black

Tolleranza generale
General tolerance **+/- 0,5mm**

A4

1/1

This drawing cannot be copied, duplicated or disclosed without our permission



BLUBUD srl
 Sede operativa:
 Via Iva 5/3
 16121 Genova Italy
 Tel. +39010286137379/1618
 Fax. +39010286130353
 Sede legale:
 Via Freschi 20/9
 16121 Genova Italy
 e-mail: info@blubud.it
 www: http://www.blubud.it

Scala
Scale **1:10**

Data
Date **29-08-12**

Controllato da
Checked by **P.M.**

Disegnato da
Drawn by **M.D.S.**

Classe prodotto
Typology

Codice
Code **ACC041**