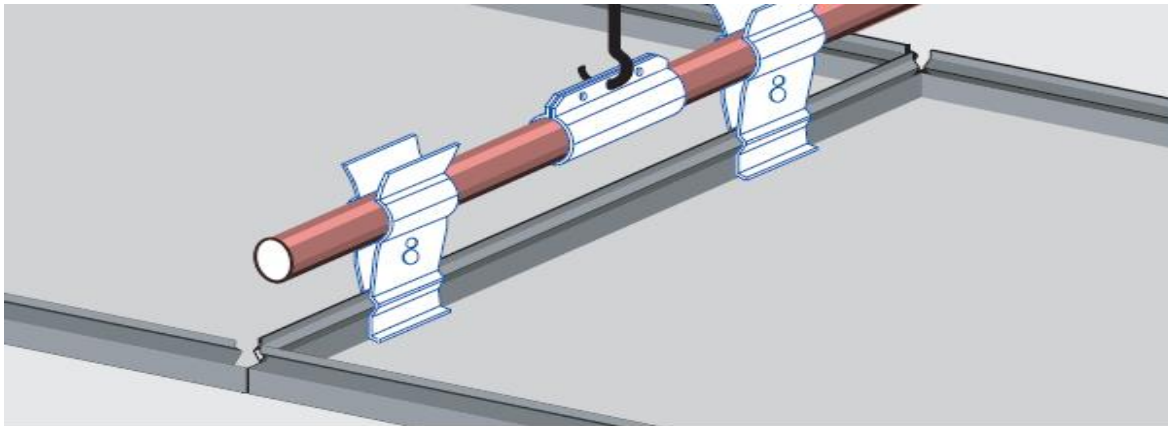


## INSTALLATION ACCESSORIES



### General Information

description	Z Lining profile
type	ACC050
manufacturer	Blu Bud srl

### Structure

weight	0.478 kg/m
material	Galvanized steel
finishing	rough, painted, sublimated, polished mirror
size	See dwg
thickness	1

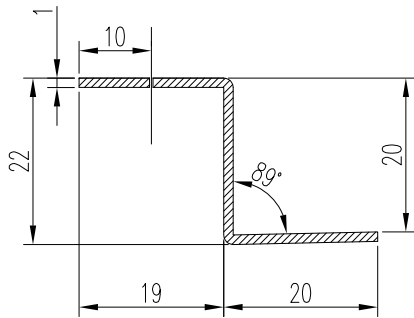
### Use installation

lining profile for all system
-------------------------------

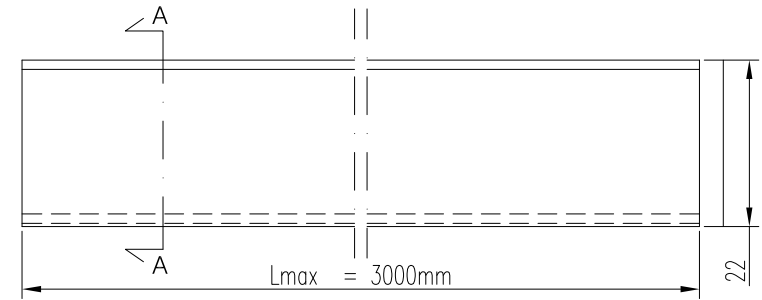
Product data sheet

installation\_type\_ACC050\_rev00

hole for installation:  
 $\varnothing$  5[mm], c/c 300[mm]




SECTION



PROFILE

LATERAL VIEW

REV.	DATA / DATE	DESCRIZIONE DELLE MODIFICHE / DESCRIPTION OF ALTERATIONS	Controllato Checked	Modificato Revised		
Riferimento Reference	U. TEC. BLUBUD					
Descrizione Description	LINING "Z" PROFILE H.20mm					
Materiale Material	galvanized steel	 <p><b>BLUBUD srl</b>            Sede operativa:            Via Ilva 5/3            16121 Genova Italy            Tel. +39-010.860.1379/1618            Fax. +39-010.818.30.53             Sede legale:            Via Fieschi 20/9            16121 Genova Italy             e-mail: Info@blubud.it            www: http://www.blubud.it</p>	Scala Scale	1:1	Data Date	05-08-10
Spessore Thickness	1,2 mm		Controllato da Checked by	P.M.	Disegnato da Drawn by	M.D.S.
Note Notes	Peso netto Kg Net Weight Kg		Classe prodotto Typology		Codice Code	
Tolleranza generale General tolerance	- +/- 0,5mm		ACC050			
A4		1/1	Questo disegno non può essere usato o riprodotto senza nostra autorizzazione This drawing cannot be copied, duplicated or disclosed without our permission			