



## BLIND HINGED DOOR

Product data sheet

General Information	
description	blind, single leaf, hinged door
type	A60DHB1Y
manufacturer	Blu Bud srl
Application	
fire properties	A60 Class fire resistant
certificates, approvals	RINA MED Module B Nr. MED096021CS
drawing number	A60DHB1
Size	
max horizontal clear opening (LNO)	1000 mm
max vertical clear opening (LNV)	2100 mm
horizontal cut in bulkhead (TPO)	LNO + 136 mm
vertical cut in bulkhead (TPV)	LNV + sill height + 88 mm
sill	25 mm
Frame	
frame size	see dwg
frame thickness	3 mm
counter frame	welded or screwed connection 60x60 mm
counter frame thickness	5 mm
materials	steel or stainless steel (ss)
finishing	raw, paint, brushed or polished (ss)
Leaf	
concept	sandwich
thickness	56 mm
core	single insulation layer
material of skins	steel or stainless steel (ss)
coating	raw, laminates, PVC, brushed or polished (ss)
leaf frame	paint, brushed or polished (ss)
Accessories	
standard	hinges, lockset, sill cover
extra	<b>concealed hinges, concealed door closer, automatic sill, gasket, window, hose port</b>
window size	300 mm (w) x 300 mm (h)
Mechanical and physical properties	

A60 hinged door type A60DHB1 rev01

BLU BUD SRL

info@blubud.it  
www.blubud.it

Sede legale:

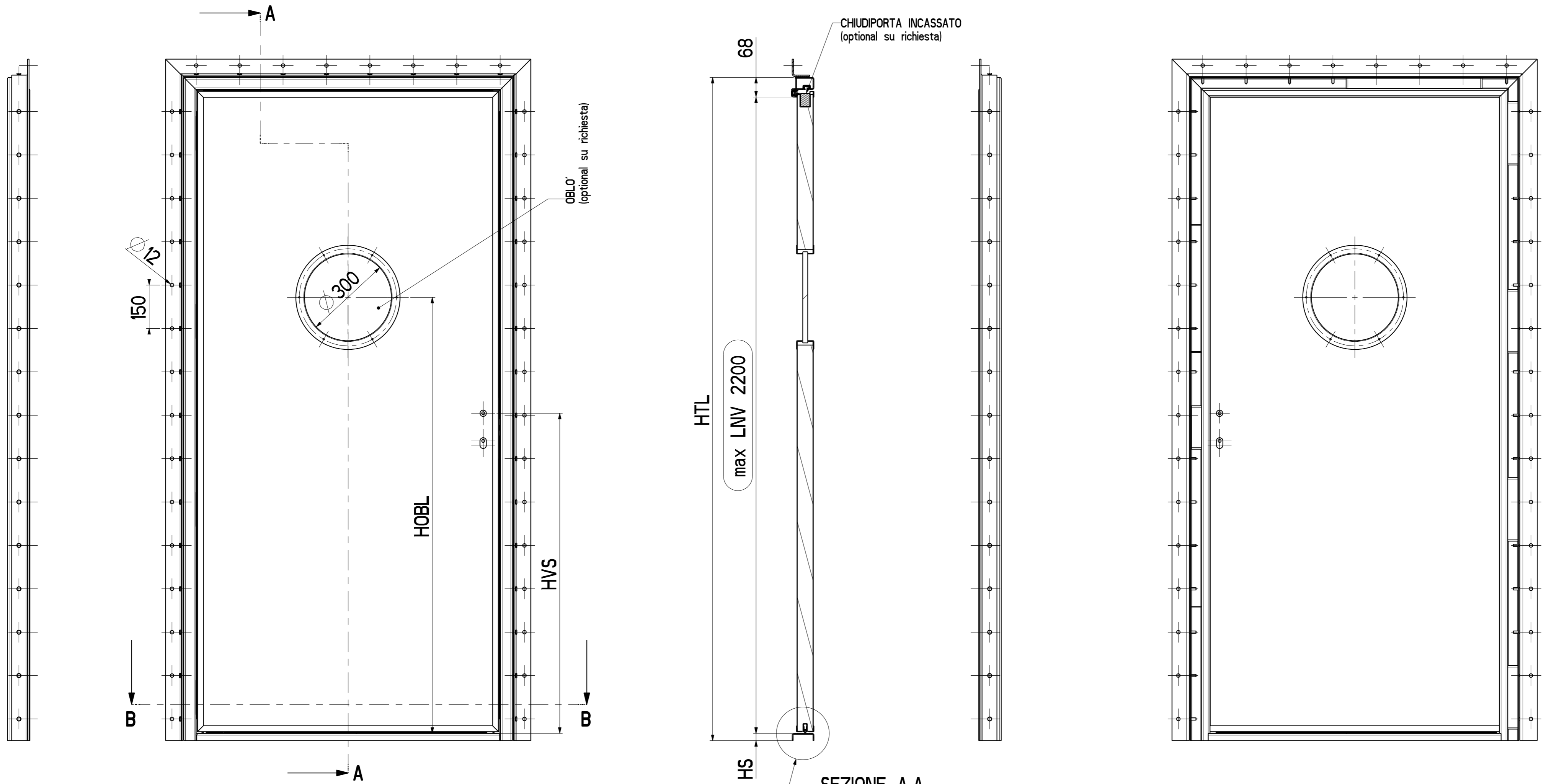
Via Corsica, 21/20  
16128 Genova, Italia  
c.f. e p.iva 01766240996  
Reg. impr Genova REA 43442

Edilizia:

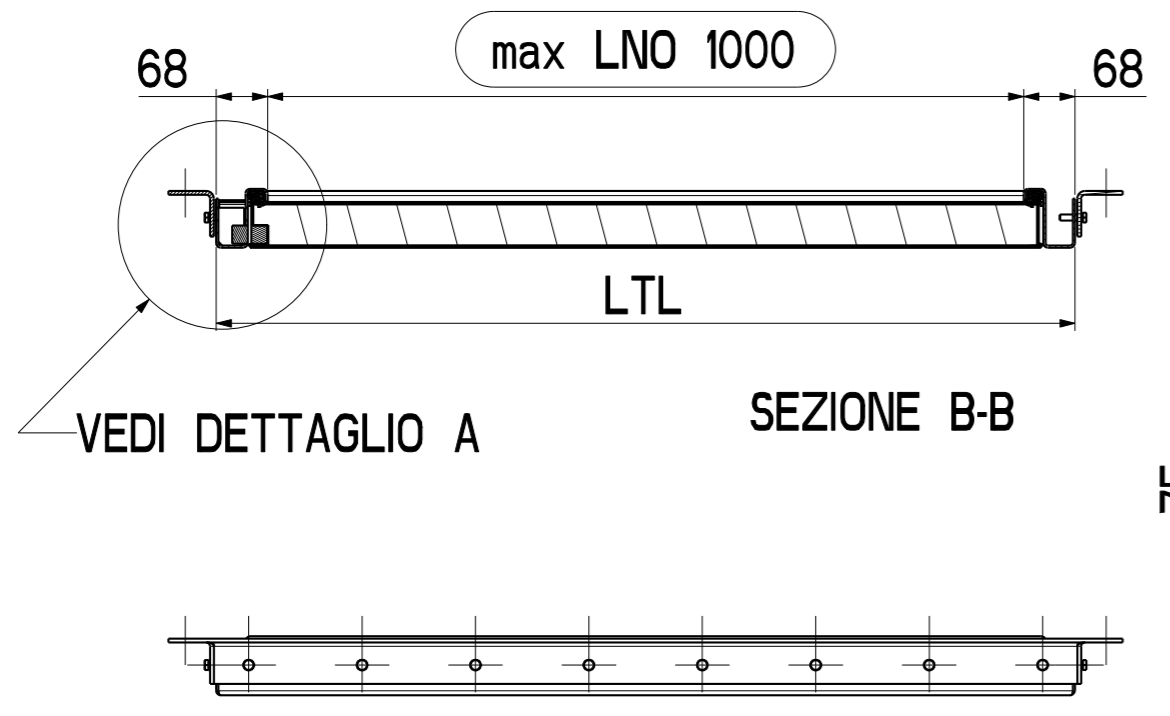
Via Ilva, 5/3  
16128 Genova, Italia  
t +39 010 86 01 379/618  
f +39 010 81 83 053

Navi & Yacht:

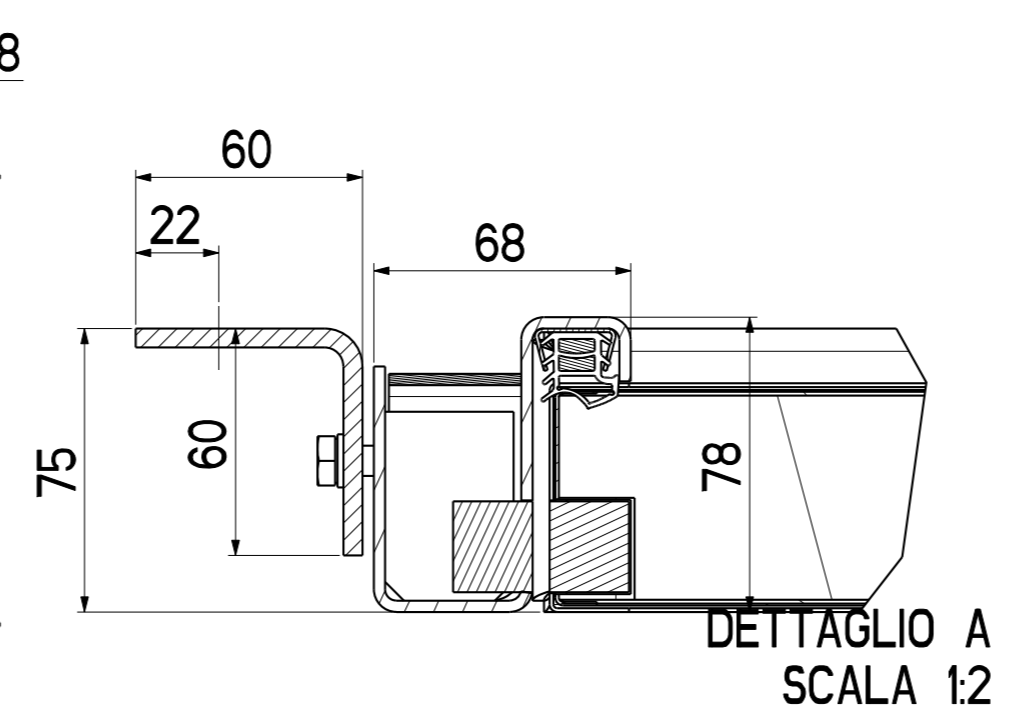
Via Remis, 16  
33050 San Vito al Torre  
Udine - Italia  
t +39 0432 1848198



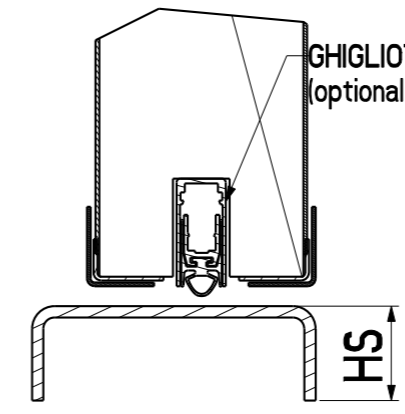
SEZIONE A-A  
VEDI DETTAGLIO B




VEDI DETTAGLIO A  
SEZIONE B-B



DETTAGLIO A  
SCALA 1:2



DETTAGLIO B  
SCALA 1:2

0	-	EMISSIONE		
REV.	DATA / DATE	DESCRIZIONE DELLE MODIFICHE / DESCRIPTION OF ALTERATIONS	CONTROLLATO / CHECKED	MODIFICATO / REVISED
RIFERIMENTO / REFERENCE BLU BLU				
DESCRIZIONE / DESCRIPTION A60 BLIND HINGED DOOR SINGLE LEAF - A60DHBY				
MATERIALE / MATERIAL *		BLUBUD SRL		SCALA / SCALE
SPESSORE / THICKNESS *		Operational office: via Iva 5/3 16128 Genova - ITALY Tel. +39. 010. 8601 379 Fax +39. 010. 8183 053		DATA / DATE
NOTE / NOTES *		Registered office: via Fieschi 20/9 16121 Genova - ITALY		06-Apr-21
PESO NETTO kg / NET WEIGHT kg		E-MAIL: info@blubud.it WWW: http://www.blubud.it		CONTROLLATO DA / CHECKED BY
0.000				DESIGNATO DA / DRAWN BY
A2		QUESTO DISEGNO NON PUO' ESSERE USATO O RIPRODOTTO SENZA NOSTRA AUTORIZZAZIONE / THIS DRAWING CANNOT BE COPIED, DUPLICATED OR DISCLOSED TO ANYONE WITHOUT OUR APPROVAL.		FOGLIO / SHEET 1 / 1
ARCHIBY	ASSEM	ARCHIBY	DISEGNO N° / DRAWING N° A60DHBY	