

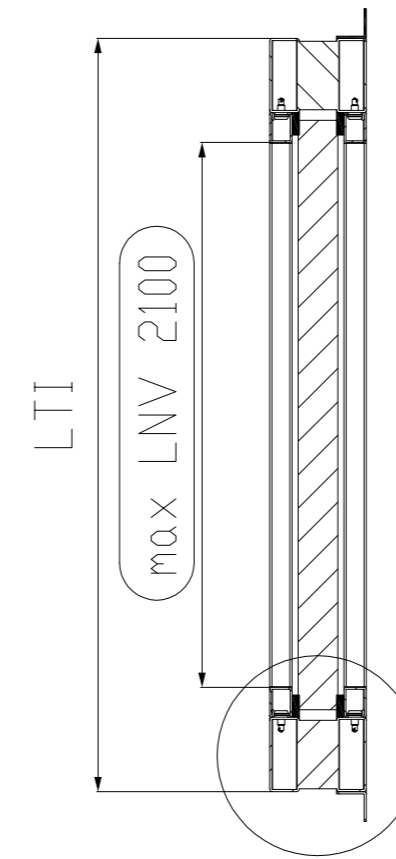
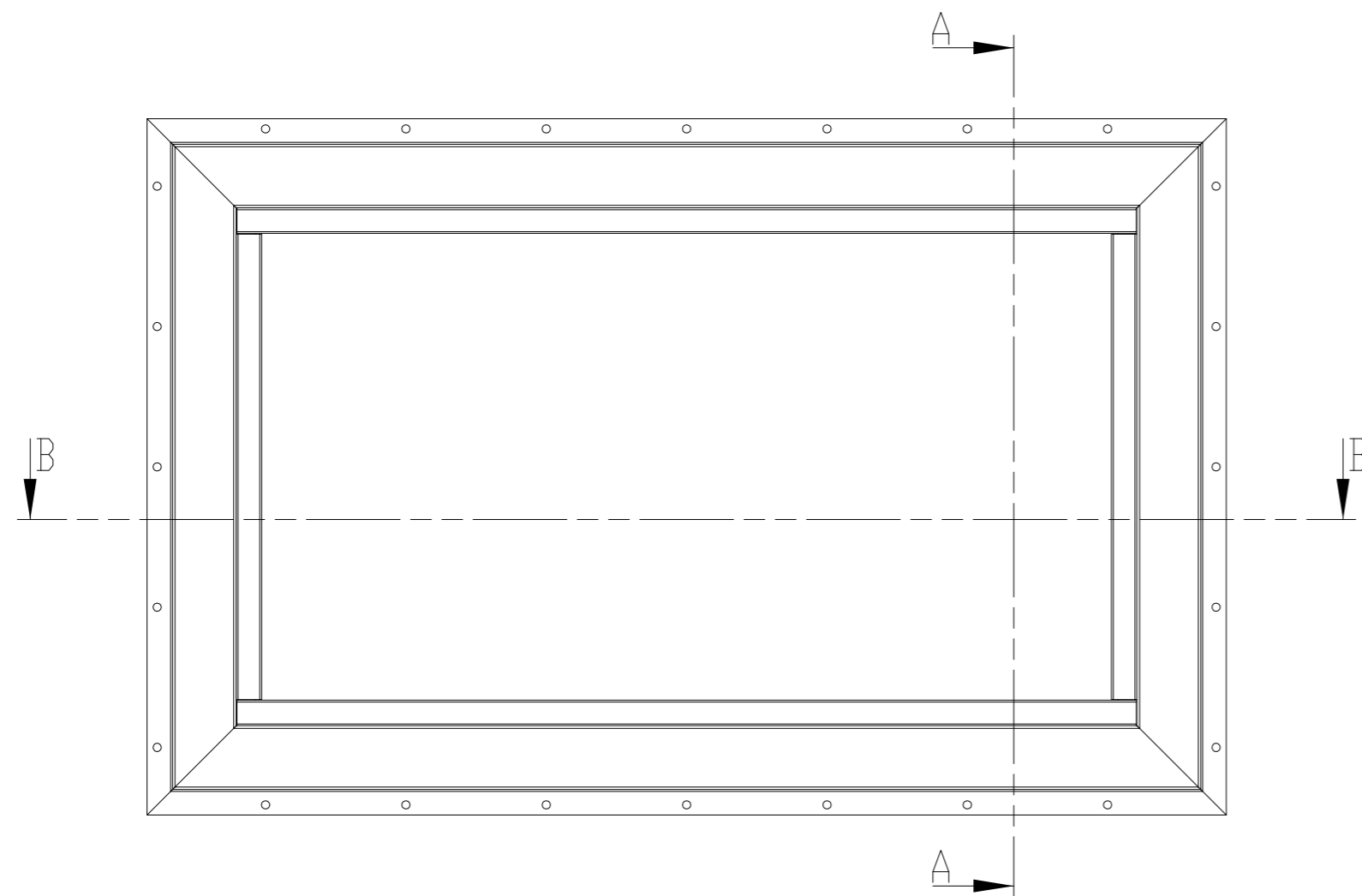


WINDOW

General Information	
description	internal windows or glass wall
type	A60WFG1
manufacturer	Blu Bud srl
Application	
fire properties	A60 Class fire resistant
certificates, approvals	RINA MED Module B Nr. MED033520CS
drawing number	A60WFG1
Size	
max horizontal clear opening (LNO)	1000 mm
max vertical clear opening (LNV)	2000 mm
horizontal cut in bulkhead (TPO)	LNO + 140 mm + 10 mm
vertical cut in bulkhead (TPV)	LNV + 140 mm + 10 mm
Frame	
section shape	see dwg
section size	see dwg
thickness of steel	various
materials	steel or stainless steel (ss)
finishing	raw, paint, brushed or polished (ss)
counter frame thickness	custom made
Leaf	
glass	PYROBEL 25
thickness minimum of glass	26,6 +/- 1 mm
thickness of door leaf	65 mm
Accessories	
decoration	custom request
Mechanical and physical properties	
noise reduction	n.a.

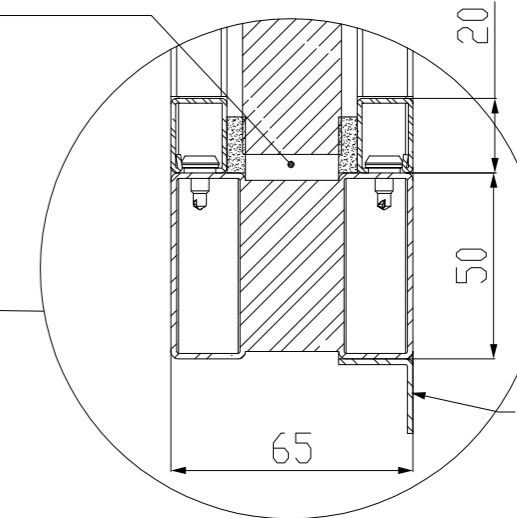
Product data sheet

A60_window_type_A60WFG1

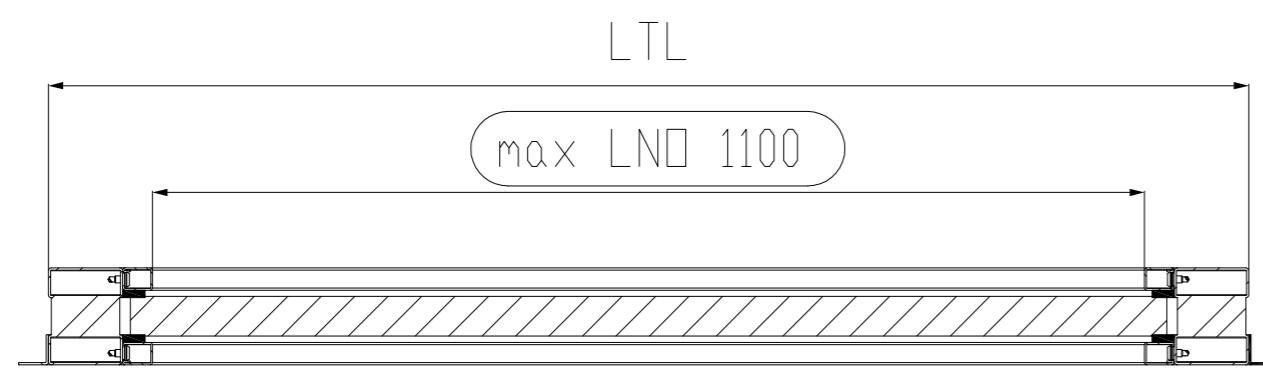


SEZIONE A-A

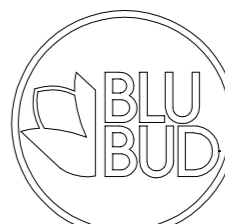
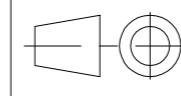
Riempire di sigillante per evitare passaggio dell'acqua



DETTAGLIO C
SCALA 1 : 1,



SEZIONE B-B

0	-	EMISSIONE		
REV.	DATA / DATE	DESCRIZIONE DELLE MODIFICHE / DESCRIPTION OF ALTERATIONS	CONTROLLATO / CHECKED	MODIFICATO / REVISED
RIFERIMENTO / REFERENCE: BLU BUD				
DESCRIZIONE / DESCRIPTION: A60 GLASS WALL - A60WFG1				
MATERIALE / MATERIAL: -	 BLUBUD SRL Operational office: via Ivo S/3 16128 Genova - ITALY Tel +39. 010. 8601 379 Fax +39. 010. 8183 053 Registered office: via Fieschi 20/9 16121 Genova - ITALY E-MAIL: info @blubud.it WWW: http://www.blubud.it		SCALA / SCALE: 1:5	DATA / DATE: 27-Aug-20
SPESSORE / THICKNESS: -			CONTROLLATO DA / CHECKED BY: -	DISegnATO DA / DRAWN BY: -
 PESO NETTO kg / NET WEIGHT kg: 0,000		FOGLIO / SHEET: 1 / 1		
NOTE / NOTES: XXX	A2 A60WFG1 ASSEM A60WFG1		DIS. N° / DWG N°: A60WFG1	
QUESTO DISEGNO NON PUO' ESSERE USATO O RIPRODOTTO SENZA NOSTRA AUTORIZZAZIONE / THIS DRAWING CANNOT BE COPIED, DUPLICATED OR DISCLOSED TO ANYONE WITHOUT OUR APPROVAL.				