



Datasheet n. 139

B15 - RINA MED 

## BLIND HINGED DOOR

General Information	
description	blind, single leaf, hinged door
type	B15DHB1//B15DHB1A
manufacturer	Blu Bud srl
Application	
fire properties	B15 Class fire resistant
certificates, approvals	RINA MED Module B Nr. MED146019CS/001
drawing number	B15DHB1, B15DHB1A
Size	
max horizontal clear opening (LNO)	1000 mm
max vertical clear opening (LNV)	2100 mm
horizontal cut in bulkhead (TPO)	LNO + 80 mm + 10 mm
vertical cut in bulkhead (TPV)	LNV + sill height + over door panel + 5 mm
sill	25 mm
Frame	
section shape	L or T or Z
section size	50x20 mm
thickness of steel	1,2mm
materials	steel or stainless steel (ss)
finishing	raw, paint, brushed or polished (ss)
counter frame thickness	0,8mm
Leaf	
concept	sandwich
thickness	40mm
core	one layer of mineral wool
material of skins	steel or stainless steel (ss)
coating	raw, laminates, PVC, brushed or polished (ss)
leaf frame	paint, brushed or polished (ss)
Accessories	
standard	hinges, lockcase, caps, sill cover
extra	Full automation, lockset, <b>concealed hinges type SW TE 526 3D</b> , <b>concealed door closer</b> , door stopper, <b>gaskets</b> , window, ventilation grill
window size	310mm (w) x 310mm (h)
ventilation grill size	380mm (w) x 190mm (h)
Mechanical and physical properties	
noise reduction	n.a.

Product data sheet

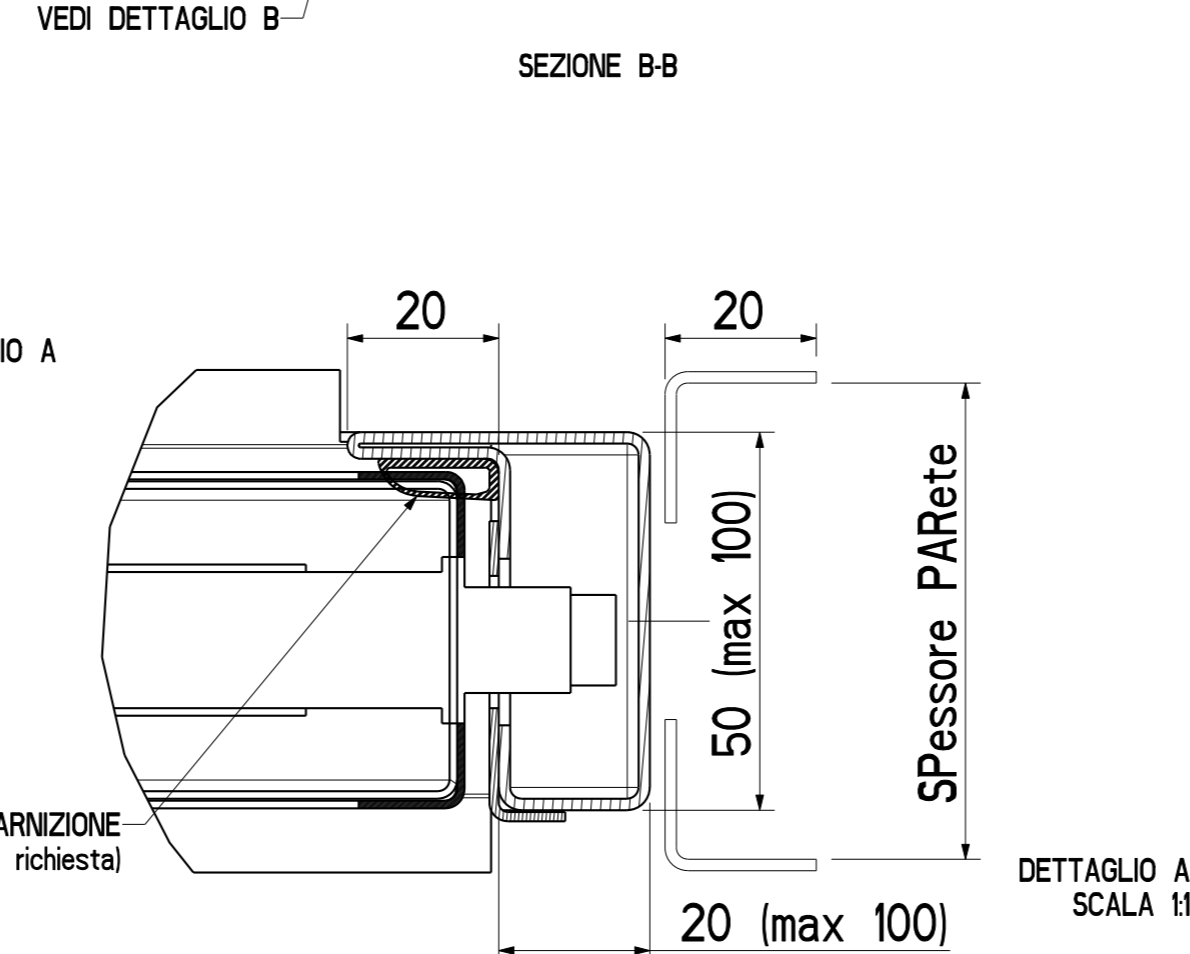
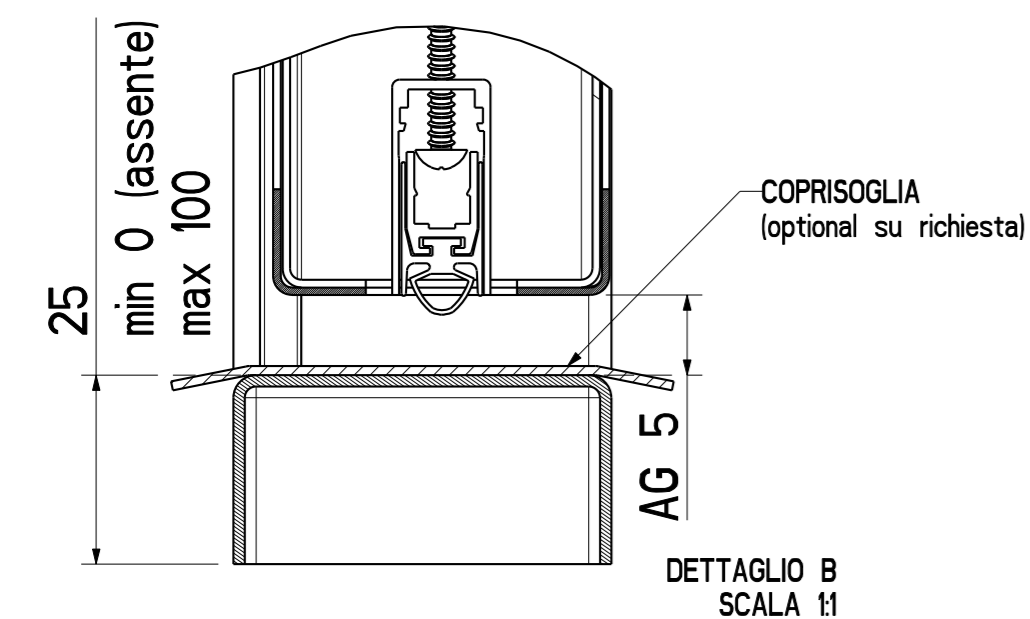
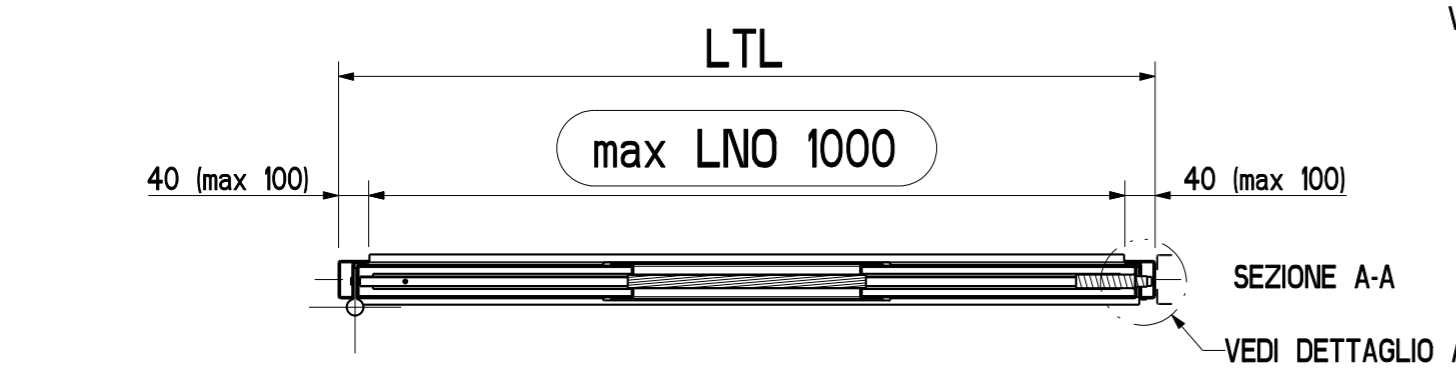
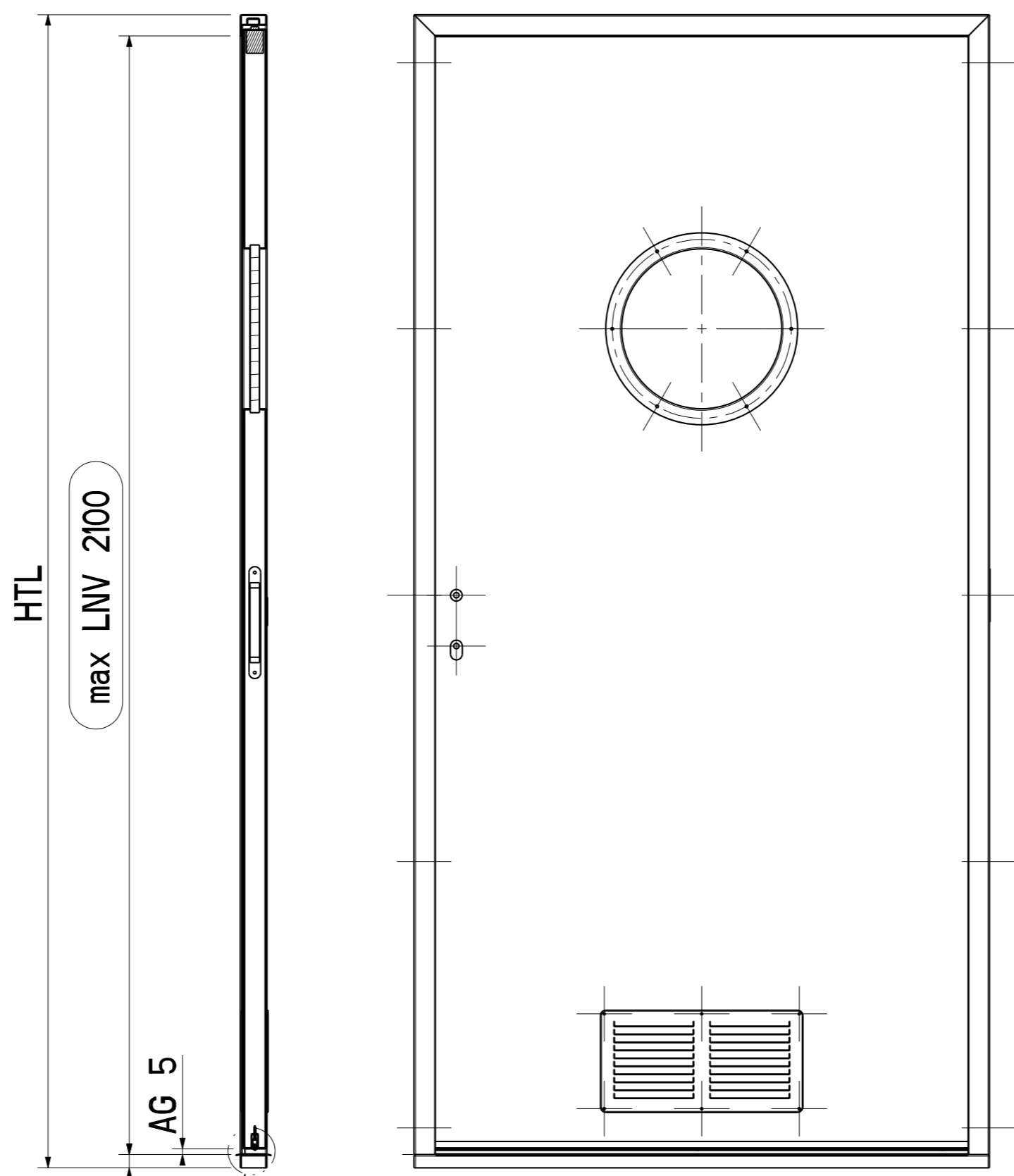
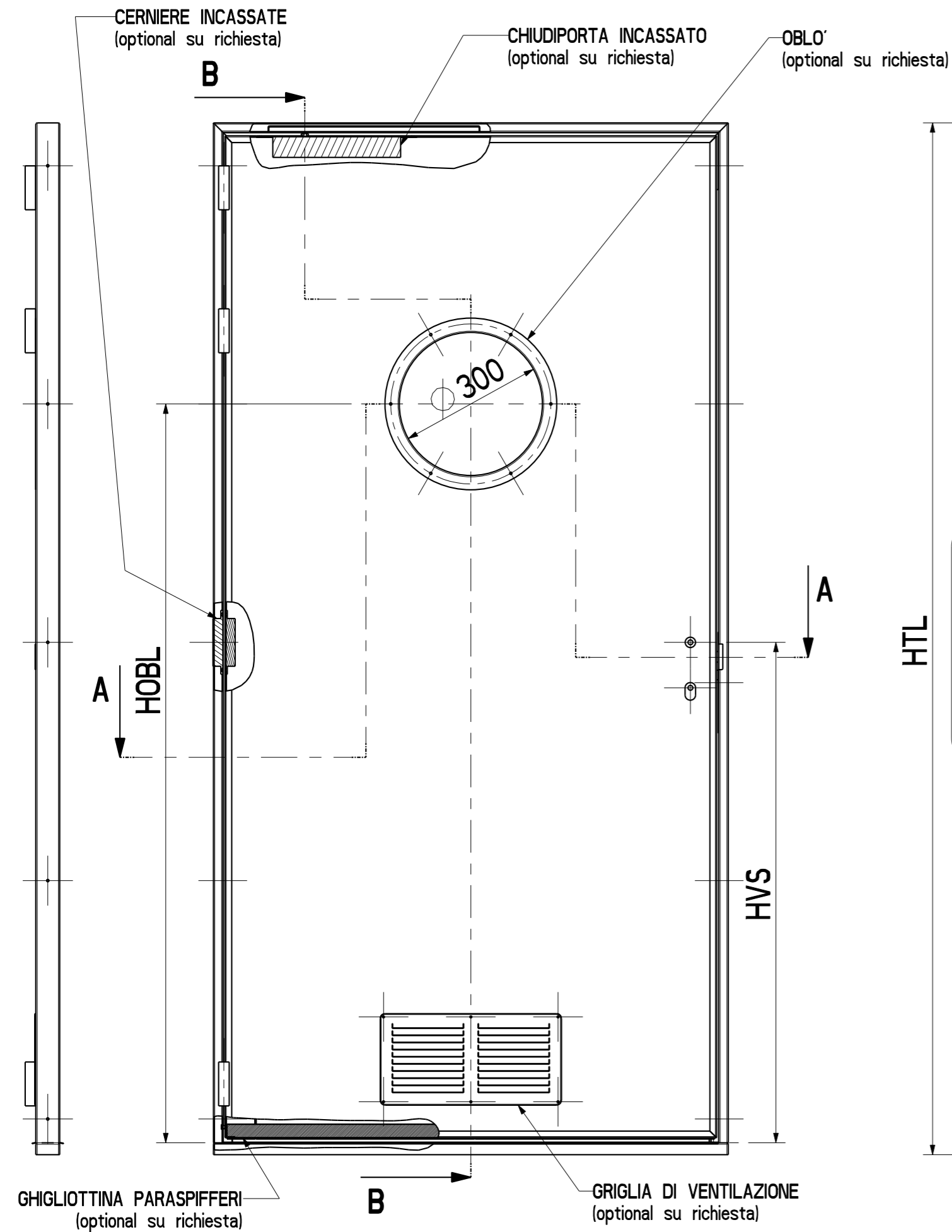
B15\_hinged\_door\_type\_B15DHB1

BLU BUD SRL  
info@blubud.it  
www.blubud.it

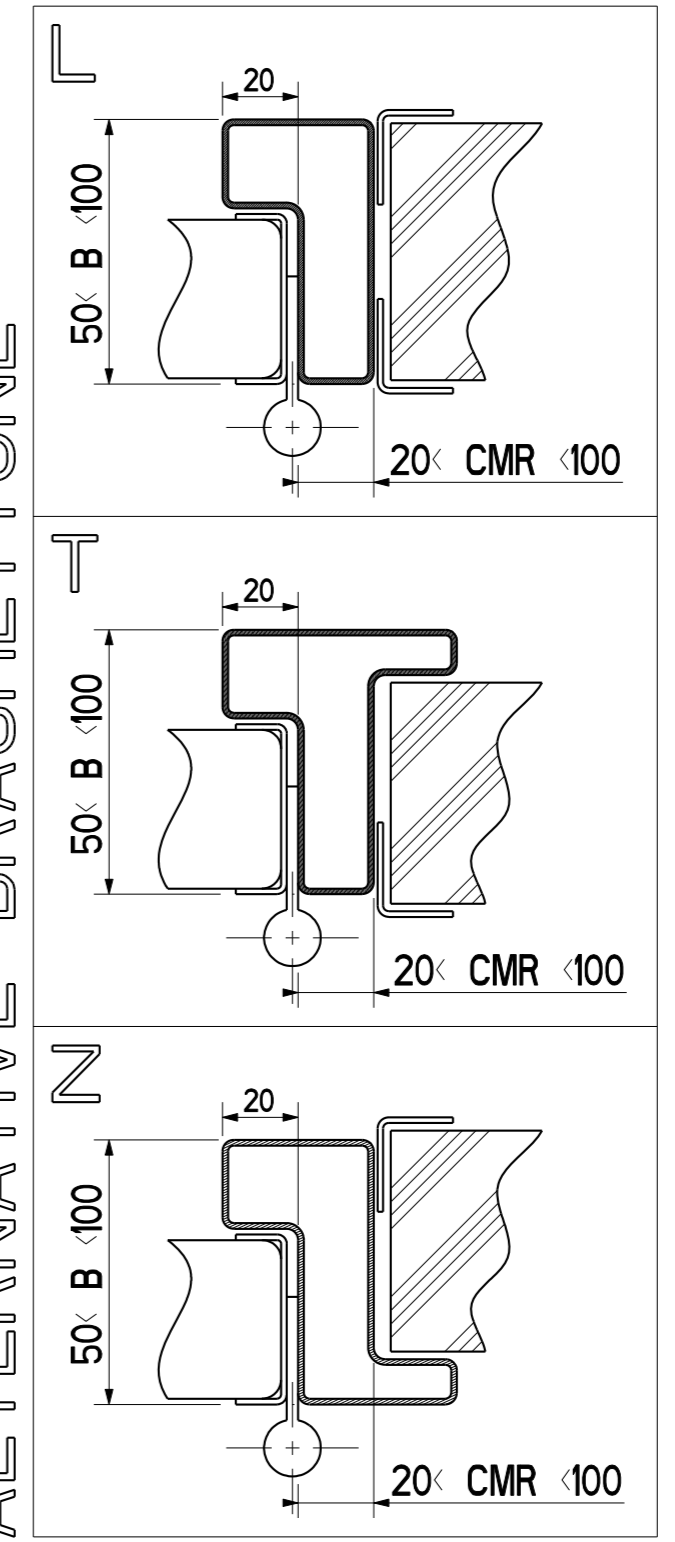
Sede legale:  
Via Fieschi, 20/9  
16121 Genova, Italia  
c.f. e p.iva 01766240996  
Reg. impr. Genova REA 43442

Engineering:  
Via Ilva, 5/3  
16128 Genova, Italia  
t +39 010 86 01 379/618  
f +39 010 81 83 053

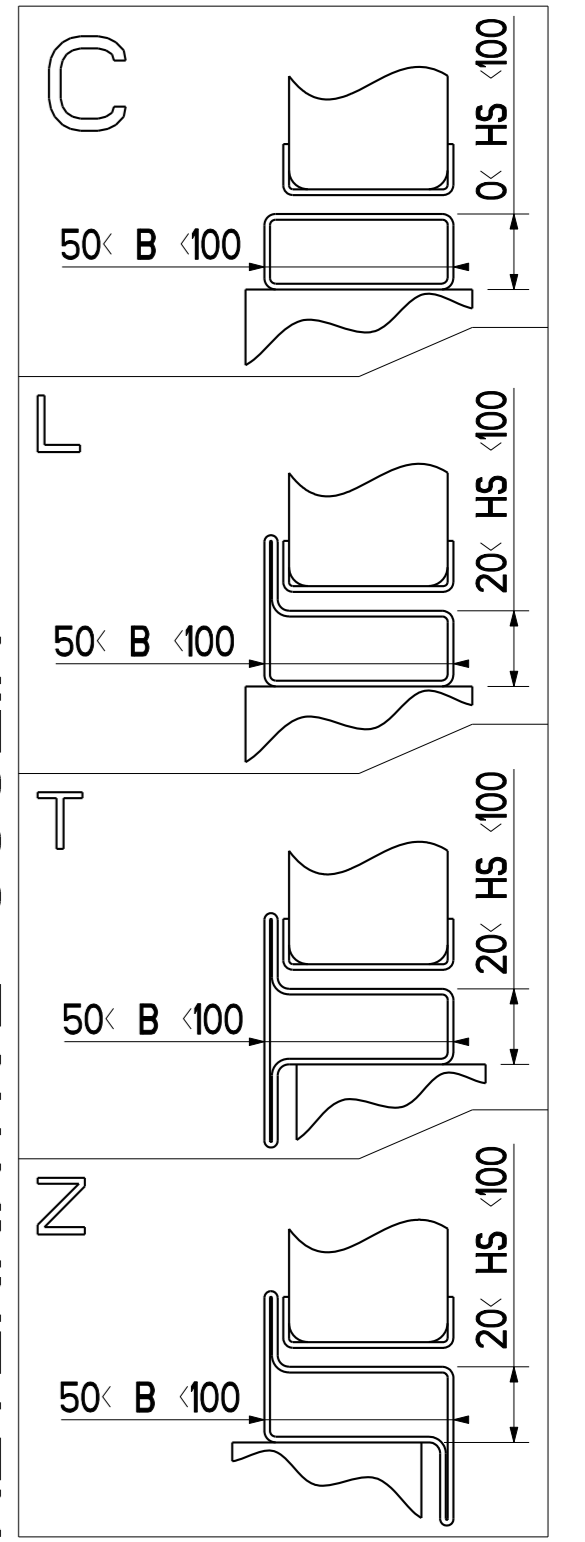
Produzione e Magazzino  
Via Remis, 16  
33050 San Vito al Torre  
Udine - Italia  
t +39 0432 1848198



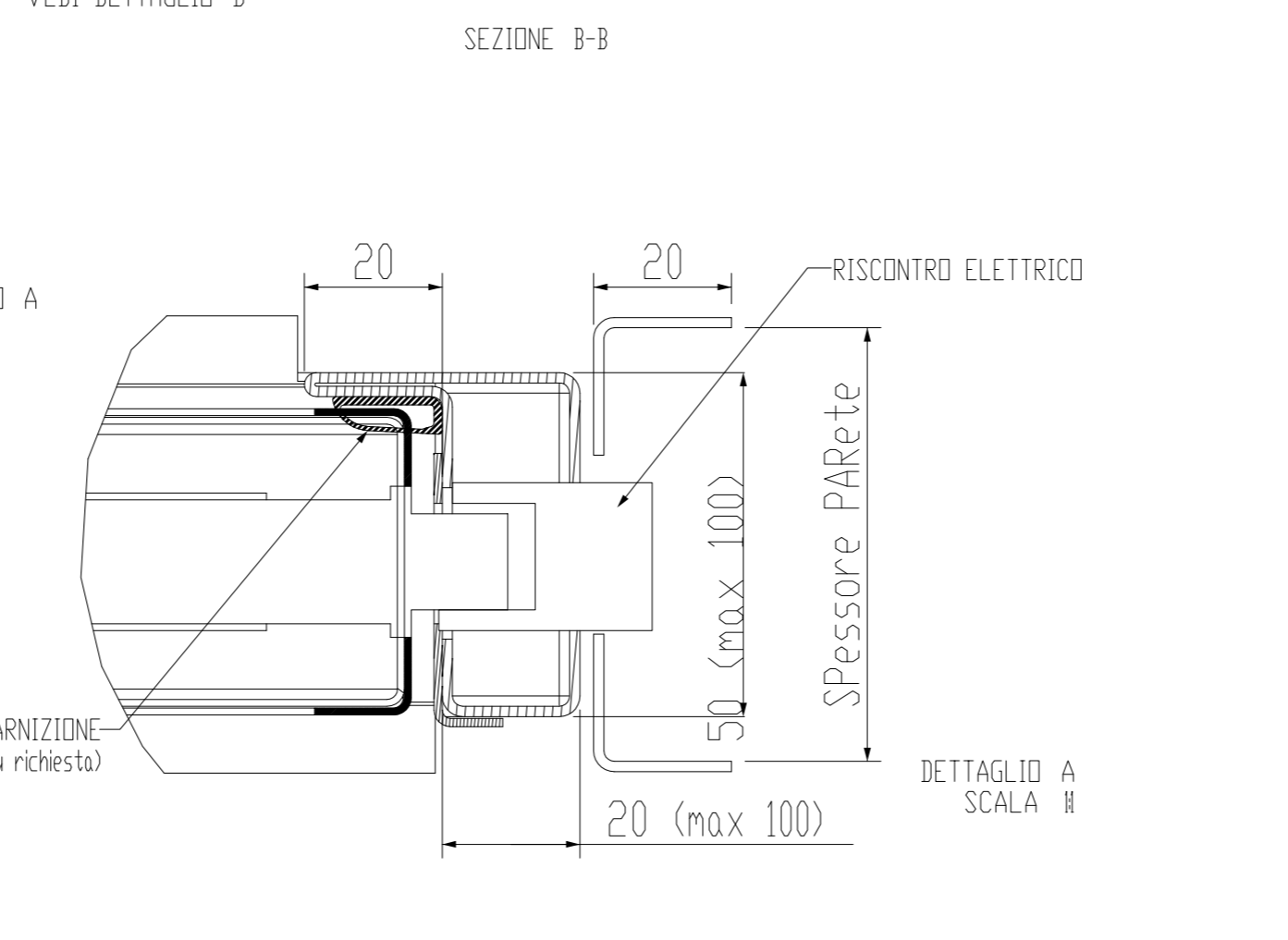
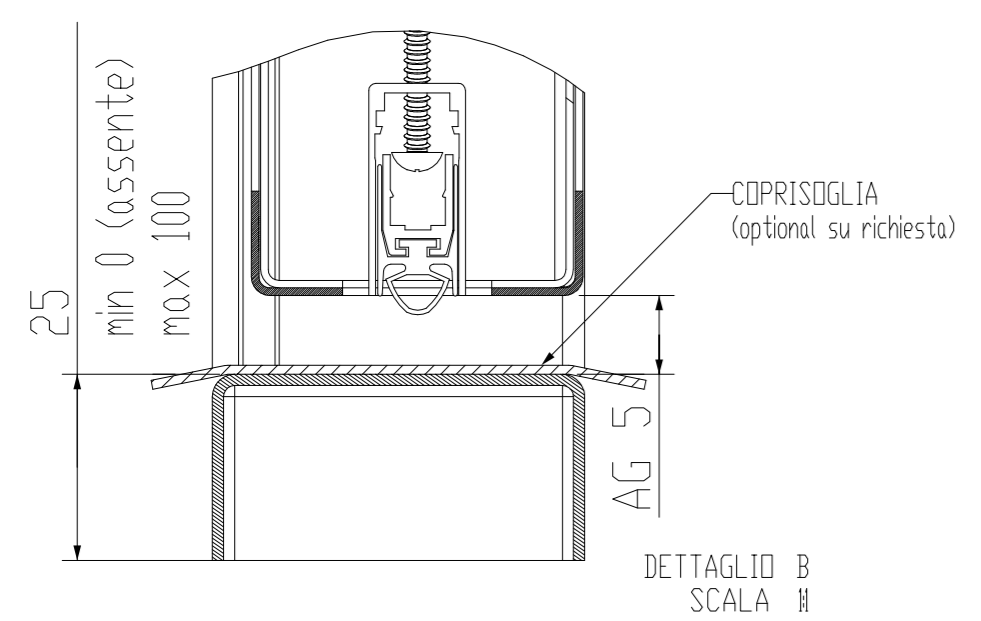
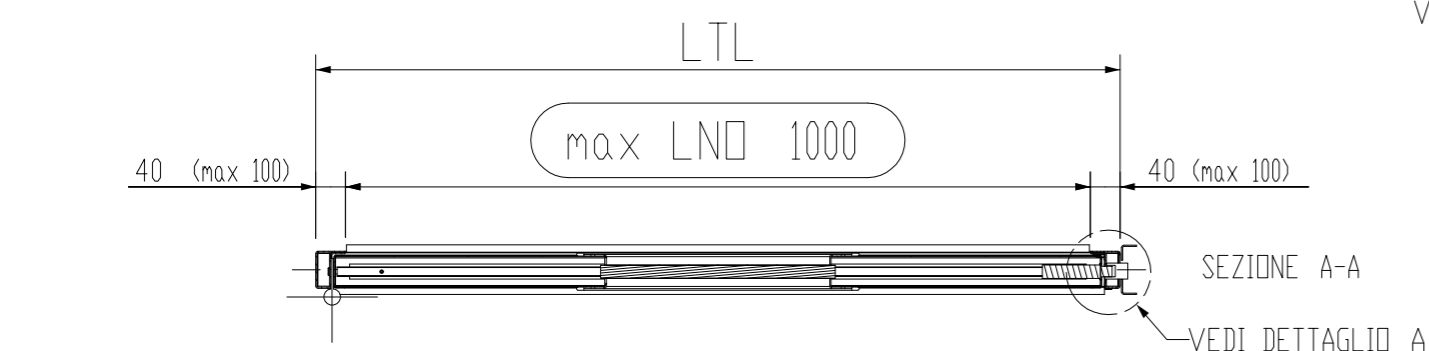
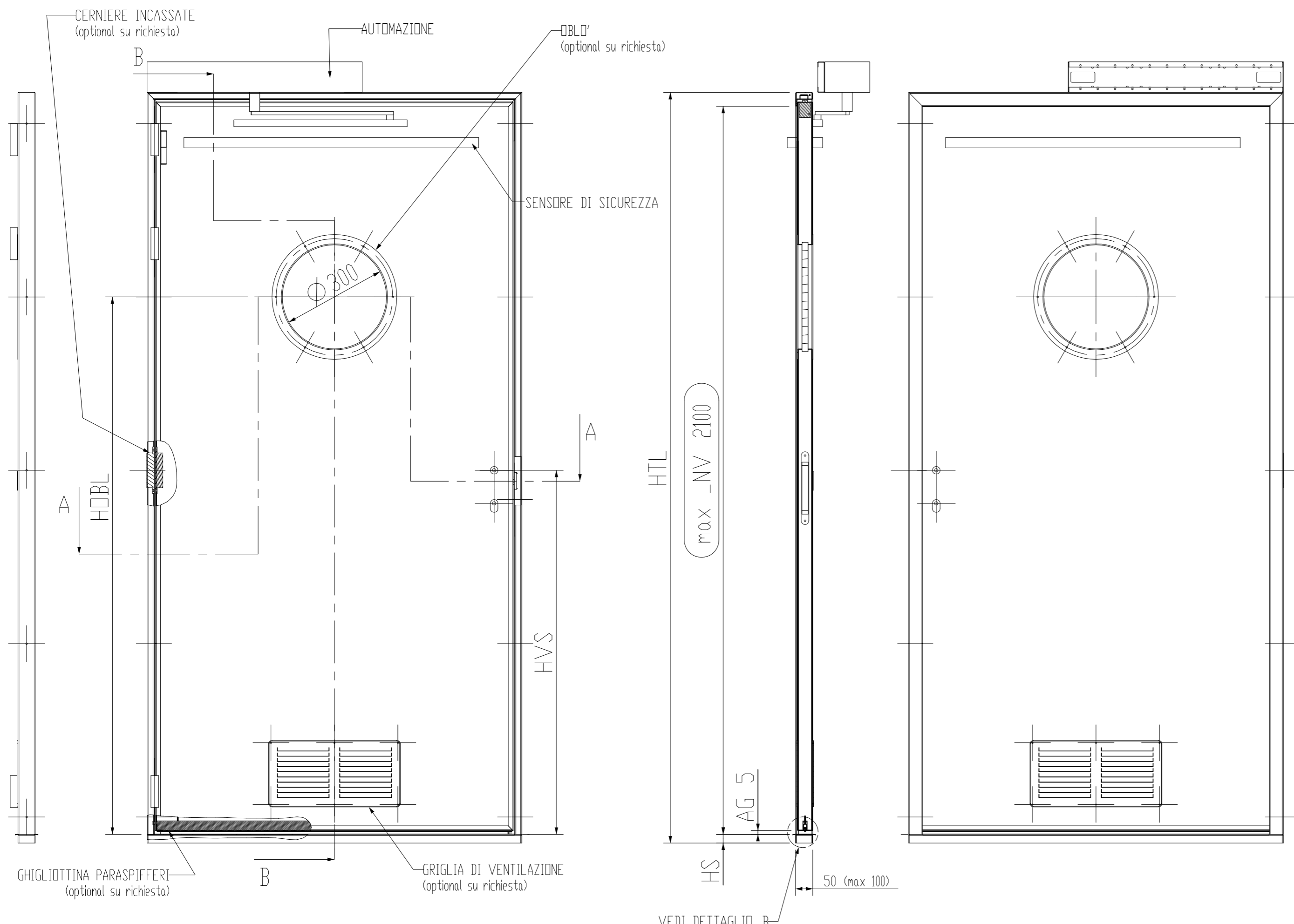
ALTERNATIVE BRAGHETTONE



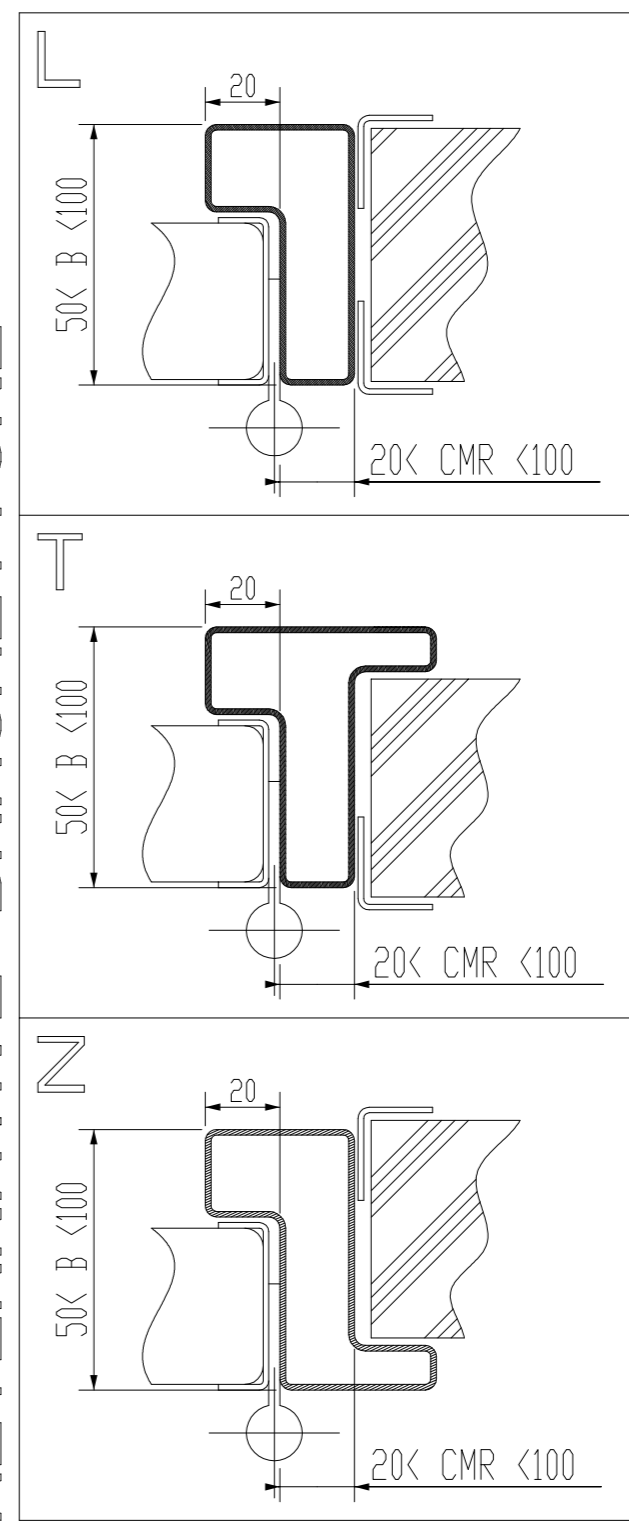
ALTERNATIVE SOGLIA



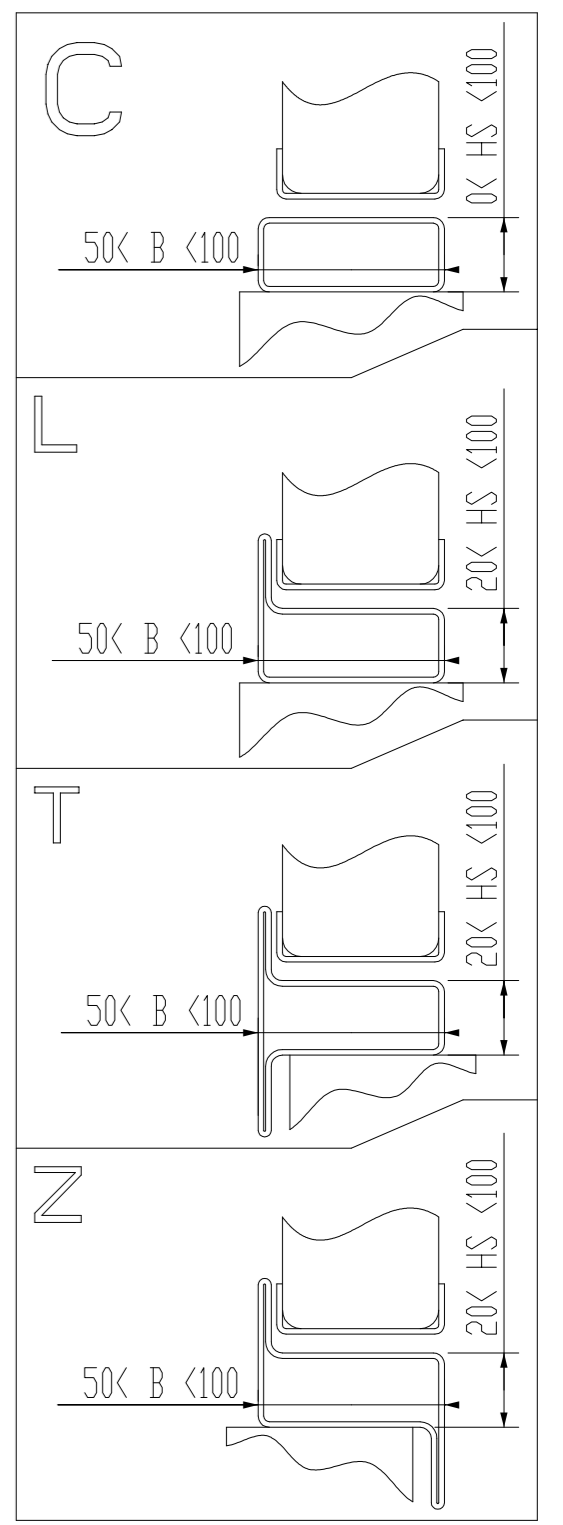
0	-	EMISSIONE		
REV.	DATA / DATE	DESCRIZIONE DELLE MODIFICHE / DESCRIPTION OF ALTERATIONS	CONTROLLATO / CHECKED	MODIFICATO / REVISED
<b>REFERIMENTO / REFERENCE: BLU BUD</b> <b>DESCRIZIONE / DESCRIPTION: B15 BLIND HINGED DOOR - B15DHB1</b>				
<b>MATERIALE / MATERIAL:</b> <b>SPESORE / THICKNESS:</b>		BLUBUD SRL Operational office: via Iuva 5/3 16128 Genova - ITALY Tel. +39. 010. 8601 379 Fax +39. 010. 8163 053 Registered office: via Fieschi 20/9 16121 Genova - ITALY E-MAIL: info@blubud.it WWW: http://www.blubud.it	<b>SCALA / SCALE:</b> 1:10	<b>DATA / DATE:</b> 11-May-20
<b>NOTE / NOTES:</b> 139		<b>PESO NETTO kg / NET WEIGHT kg:</b> 0.000	<b>CONTROLLATO DA / CHECKED BY:</b> -	<b>DISEGNATO DA / DRAWN BY:</b> -
<b>A2</b>		<b>QUESTO DISEGNO NON PUO' ESSERE USATO O RIPRODOTTO SENZA NOSTRA AUTORIZZAZIONE. THIS DRAWING CANNOT BE COPIED, DUPLICATED OR DISCLOSED TO ANYONE WITHOUT OUR APPROVAL.</b>	<b>FOGLIO / SHEET: 1 / 1</b> <b>DWG N°: B15DHB1</b>	



ALTERNATIVE BRAGHETTONE



ALTERNATIVE SOGLIA



ACCESSORI AUTOMAZIONE: RADAR, PULSANTI, SELETTORE DI FUNZIONI, BATTERIA INTERNA O ESTERNA

0	-	EMISSIONE		
REV.	DATA / DATE	DESCRIZIONE DELLE MODIFICHE / DESCRIPTION OF ALTERATIONS	CONTROLLATO / CHECKED	MODIFICATO / REVISED
RIFERIMENTO / REFERENCE: BLU BUD				
DESCRIZIONE / DESCRIPTION: B15 BLIND HINGED DOOR AUTOMATIC - B15DHB1A				
MATERIALE / MATERIAL		BLUBUD SRL	SCALA / SCALE	DATA / DATE
SPESORE / THICKNESS		Operational office: via Ivo S/3 16128 Genova - ITALY Tel +39. 010. 8601 379 Fax +39. 010. 8183 053	1:10	25-Aug-20
	PESO NETTO kg / NET WEIGHT kg		CONTROLLATO DA / CHECKED BY	DISegnATO DA / DRAWN BY
	0,000		-	-
NOTE / NOTES	E-MAIL: info@blubud.it WWW: http://www.blubud.it		FOGLIO / SHEET	1 / 1
A2 B15DHB1A ASSEM B15DHB1A		QUESTO DISEGNO NON PUO' ESSERE USATO O RIPRODOTTO SENZA NOSTRA AUTORIZZAZIONE / THIS DRAWING CANNOT BE COPIED, DUPLICATED OR DISCLOSED TO ANYONE WITHOUT OUR APPROVAL.	DIS. N°	B15DHB1A
			DWG N°	B15DHB1A