

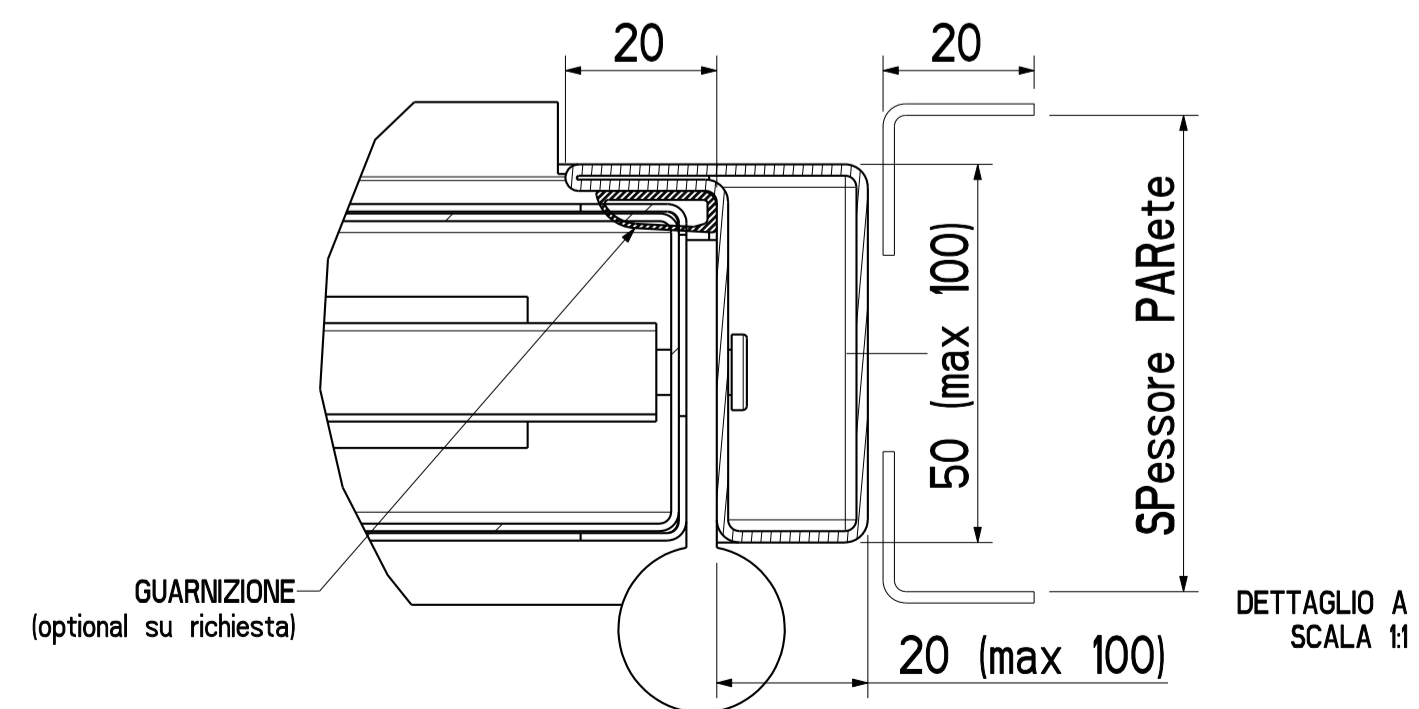
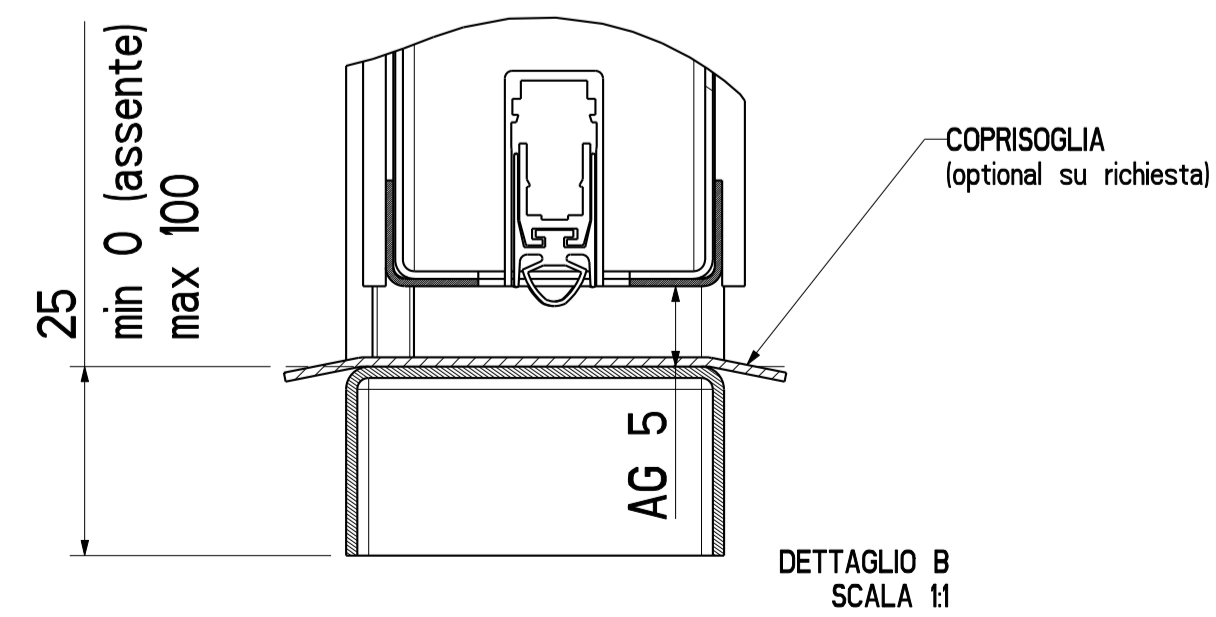
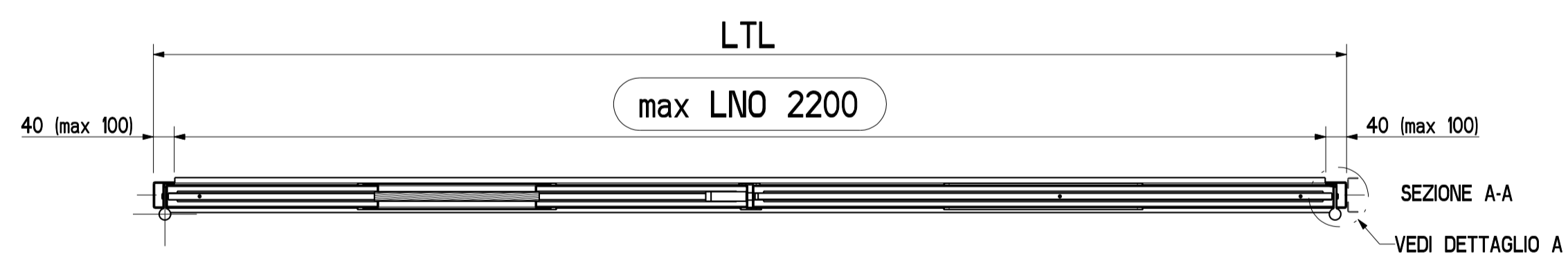
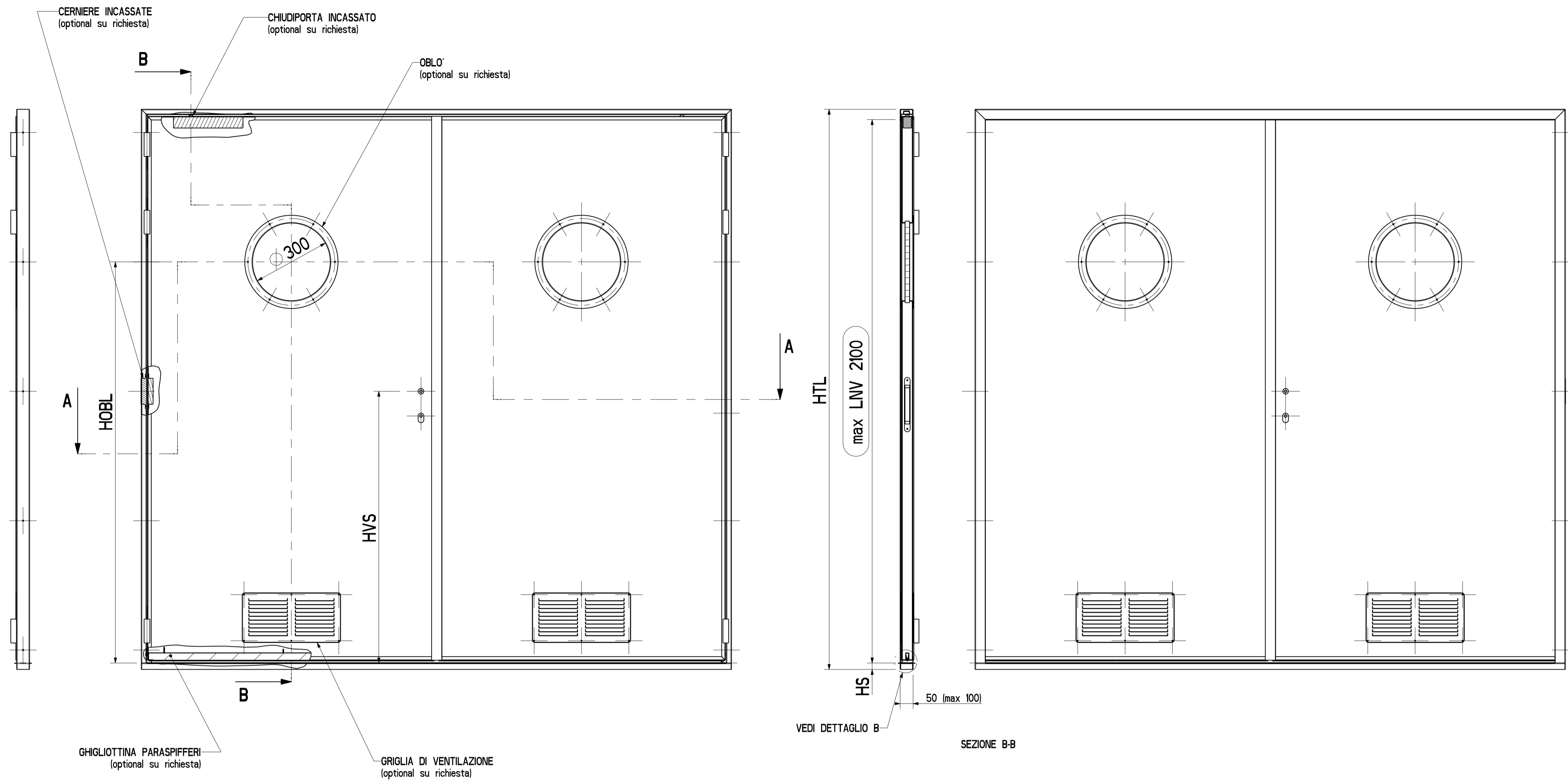


## BLIND HINGED DOOR

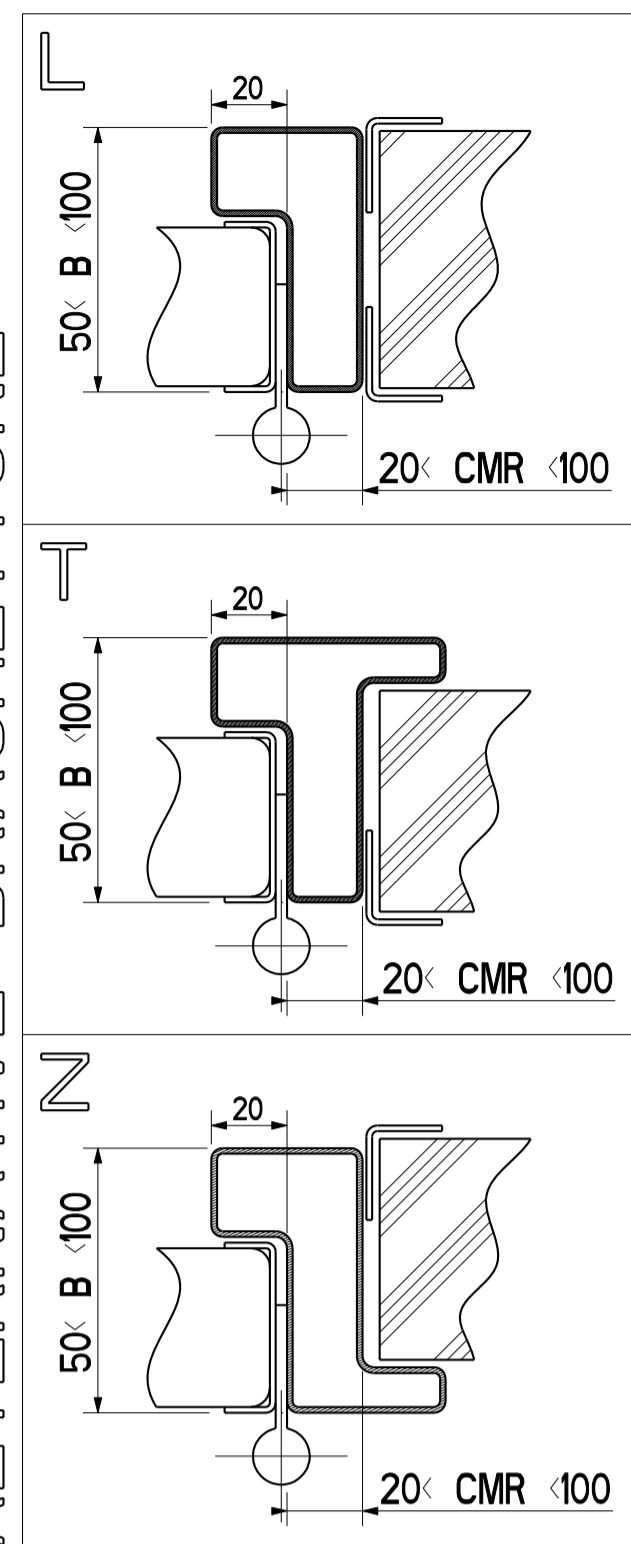
General Information	
description	blind, double leaf, hinged door
type	B15DHB2 // B15DHB2A
manufacturer	Blu Bud srl
Application	
fire properties	B15 Class fire resistant
certificates, approvals	RINA MED Module B Nr. MED082320CS
drawing number	B15DHB2, B15DHB2A
Size	
max horizontal clear opening (LNO)	2200 mm
max vertical clear opening (LNV)	2100 mm
horizontal cut in bulkhead (TPO)	LNO + 80 mm + 10 mm
vertical cut in bulkhead (TPV)	LNV + sill height + over door panel + 5 mm
sill	25 mm
Frame	
section shape	L or T or Z
section size	50x20 mm
thickness of steel	1,2mm
materials	steel or stainless steel (ss)
finishing	raw, paint, brushed or polished (ss)
counter frame thickness	0,8mm
Leaf	
concept	sandwich
thickness	40mm
core	one layer of mineral wool
material of skins	steel or stainless steel (ss)
coating	raw, laminates, PVC, brushed or polished (ss)
leaf frame	paint, brushed or polished (ss)
Accessories	
standard	hinges, lockcase, caps, sill cover
extra	Full automation, lockset, <b>concealed door closer</b> , <b>concealed hinges</b> , door stopper, <b>gaskets</b> , nr. 2 windows, ventilation grill,
window size	310mm (w) x 310mm (h)
ventilation grill size	380mm (w) x 190mm (h)
Mechanical and physical properties	
noise reduction	n.a.

Product data sheet

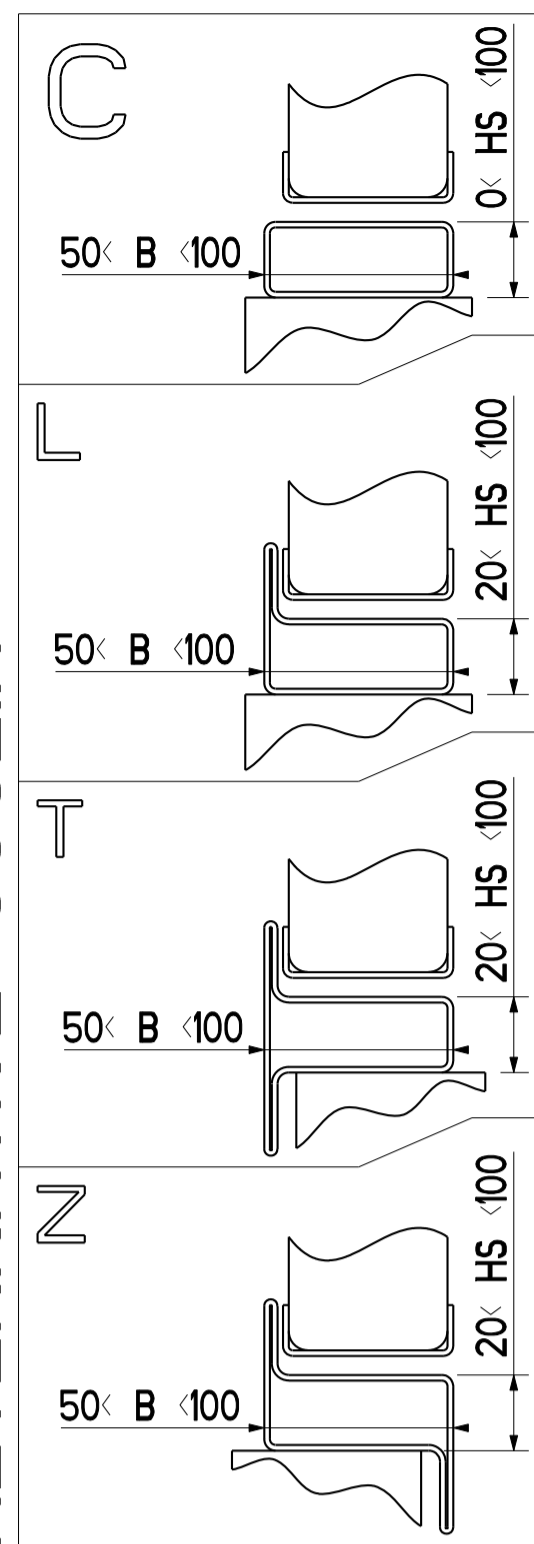
B15\_hinged\_door\_type\_B15DHB2



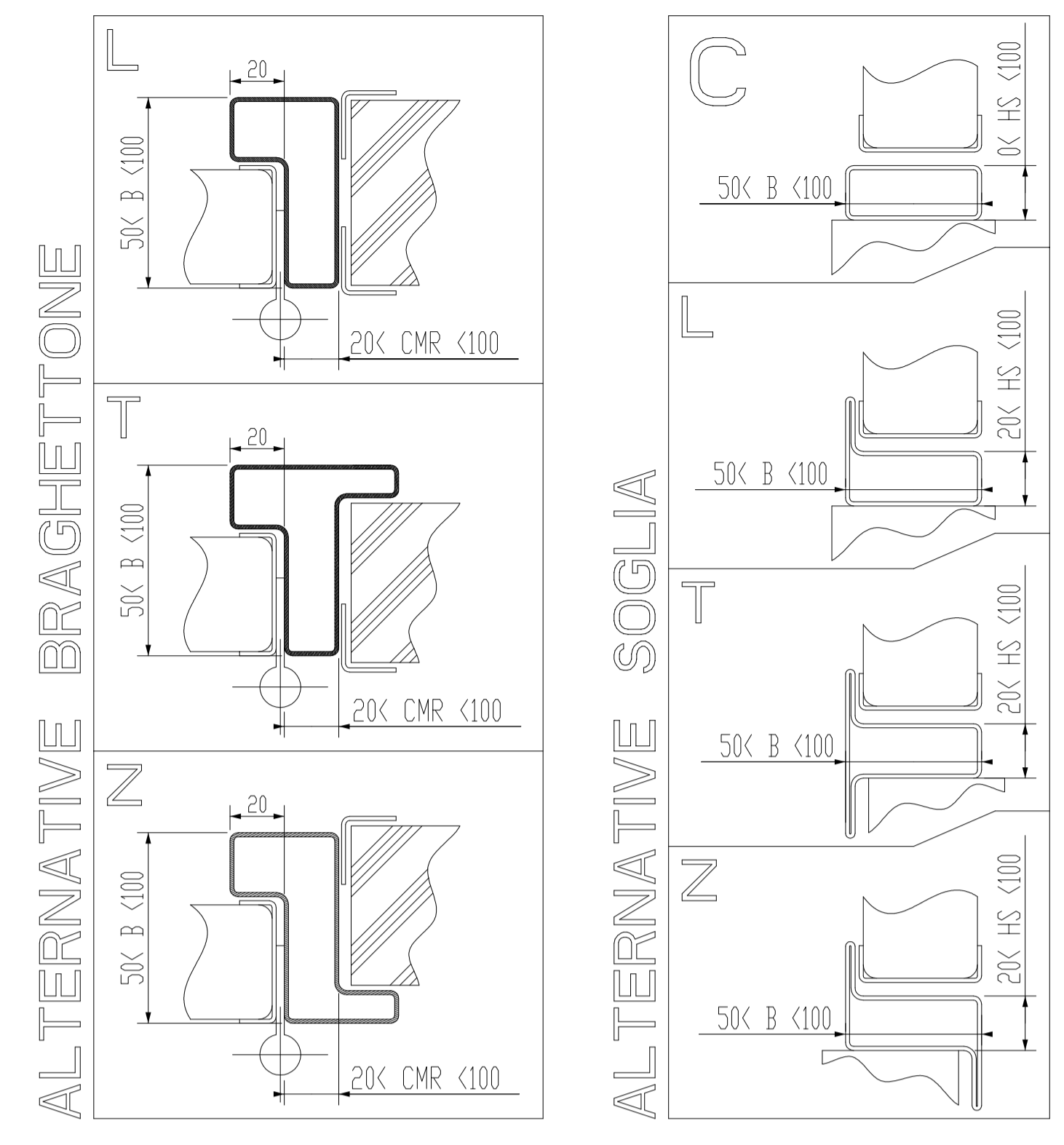
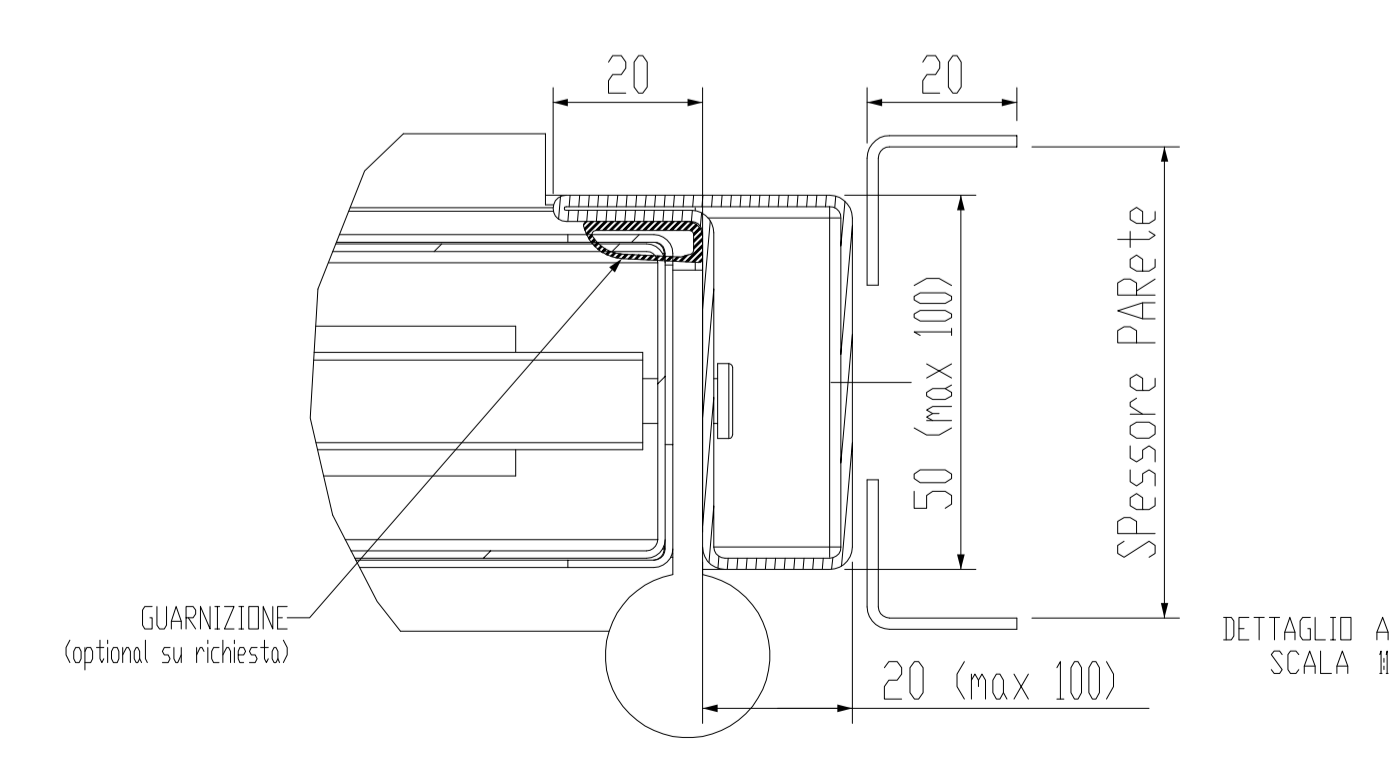
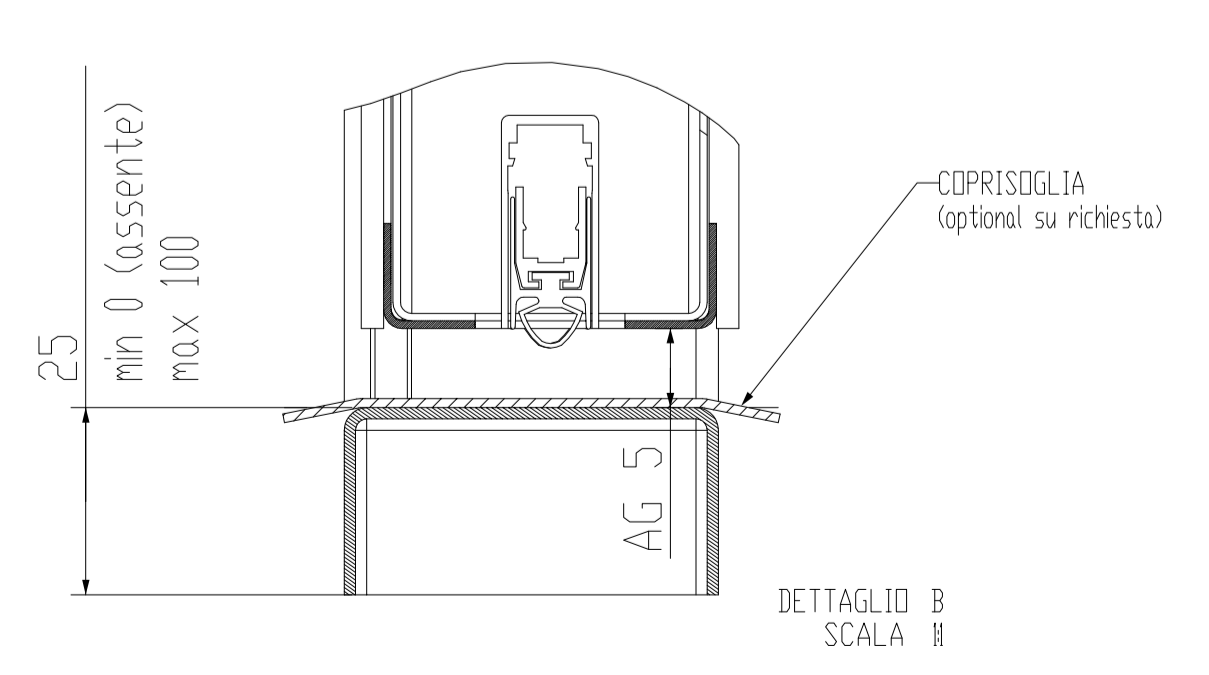
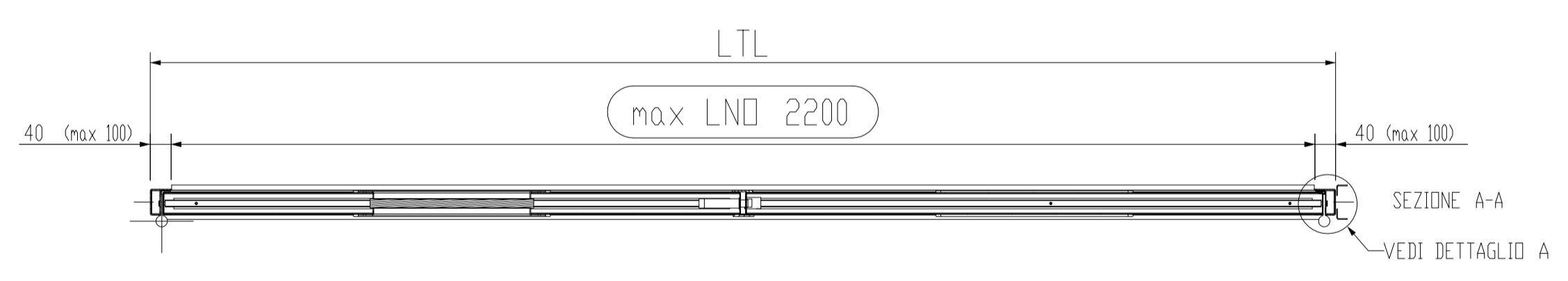
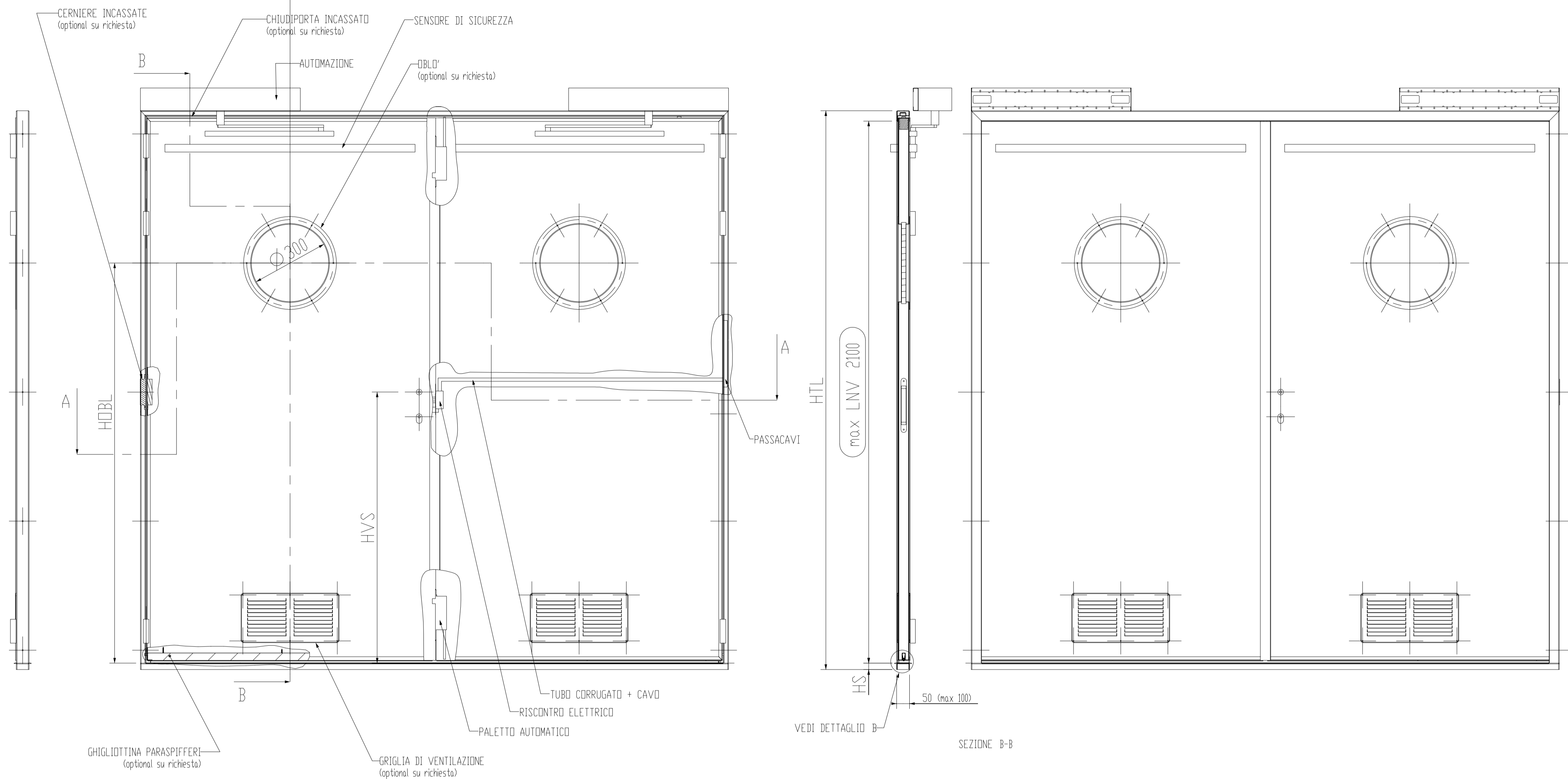
ALTERNATIVE BRAGHETTORE



ALTERNATIVE SOGLIA



0	-	EMMISSIONE		
REV.	DATA / DATE	DESCRIZIONE DELLE MODIFICHE / DESCRIPTION OF ALTERATIONS	CONTROLLATO / CHECKED	MODIFICATO / REVISED
<b>REFERIMENTO</b> <b>BLU BUD</b>				
<b>DESCRIZIONE</b> <b>BIS BLIND HINGED DOOR 2 LEAVES - BIS0HB2</b>				
<b>MATERIALE</b> MATERIAL *		<b>BLUBUD SRL</b> Operational office: Via Iva 5/2 10120 Genova - ITALY Tel: +39 010 883 070 Fax: +39 010 883 063		<b>SCALA</b> SCALE <b>1:10</b>
<b>SPESORE</b> THICKNESS *		<b>REGISTERED OFFICE:</b> Via Finelli 20/P 10121 Genova - ITALY E-MAIL: info@blubud.it WWW: http://www.blubud.it		<b>DATA</b> DATE <b>10-Jun-20</b>
<b>NOTE</b> NOTES XXXX		<b>PERI METTO kg</b> NET WEIGHT kg <b>0.000</b>		<b>CONTROLLATO DA</b> CHECKED BY -
<b>NOTE</b> THIS DRAWING CANNOT BE COPIED, DUPLICATED OR DISCLOSED TO ANYONE WITHOUT OUR APPROVAL.		<b>DESIGNATO DA</b> DRAWN BY -		<b>FOGLIO</b> SHEET 1 / 1
<b>A1</b>		<b>BIS0HB2</b>		<b>DES. N°</b> <b>BIS0HB2</b>



ACCESSORI AUTOMAZIONE: RADAR, PULSANTI, SELETTORE DI FUNZIONI, BATTERIA INTERNA O ESTERNA

0	EMISSIONE		SCALE	DATA
REV.	DATA / DATE	DESCRIZIONE DELLE MODIFICHE / DESCRIPTION OF ALTERATIONS	CONTROLLATO / CHECKED	MODIFICATO / REVISED
RIFERIMENTO / REFERENCE: BLU BUD				
DESCRIZIONE / DESCRIPTION: B15 BLIND HINGED DOOR 2 LEAVES AUTOMATIC - B15DHB2A				
MATERIALE / MATERIAL: --		PESORE / THICKNESS: --		SCALE / DATA: 1:10 25-Aug-20
PESO NETTO KG / NET WEIGHT KG: 0.000				CONTROLLATO DA / CHECKED BY: --
NOTE / NOTES: XXXX		BLUBUD SRL Operational office via Jona S.C. 36028 Serrone - ITALY Tel +39 081 888 279 Fax +39 081 888 183 Registered office via Fieschi 28/P 80132 Serrone - ITALY E-MAIL: info@blubud.it WWW: http://www.blubud.it		PREPARATO DA / DRAWN BY: -- TITOLIO / SHEET: 1 / 1 DIS. N°: -- ENG. N°: B15DHB2A
QUESTO DISEGNO NON PUO' ESSERE USATO O RIPRODOTTO SENZA NOSTRA AUTORIZZAZIONE / THIS DRAWING CANNOT BE COPIED, DUPLICATED OR DISCLOSED TO ANYONE WITHOUT OUR APPROVAL.				