

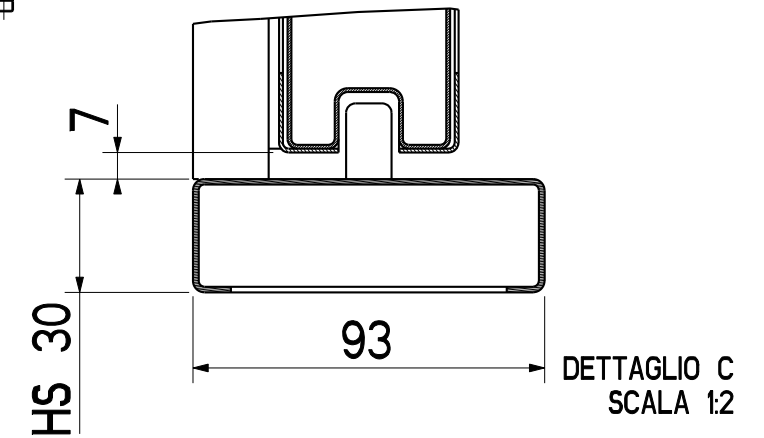
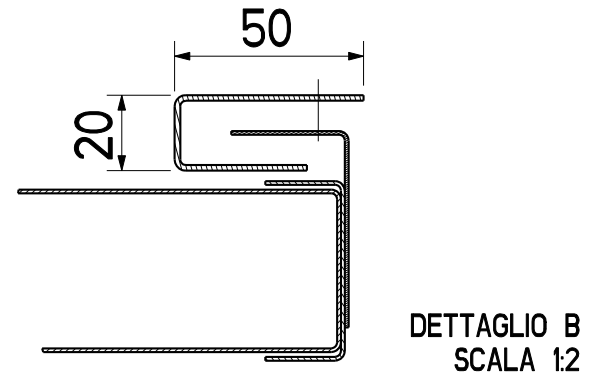
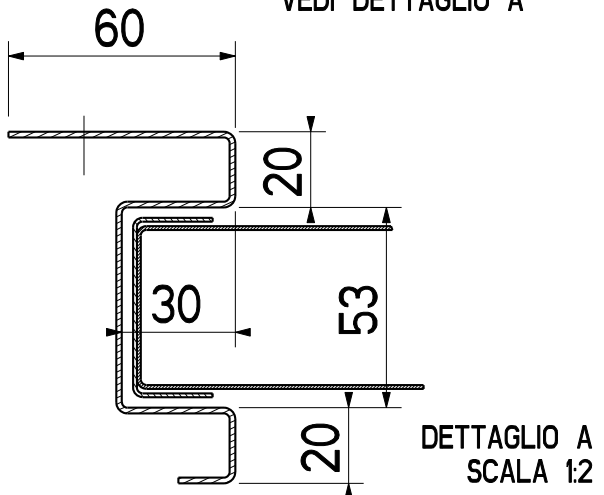
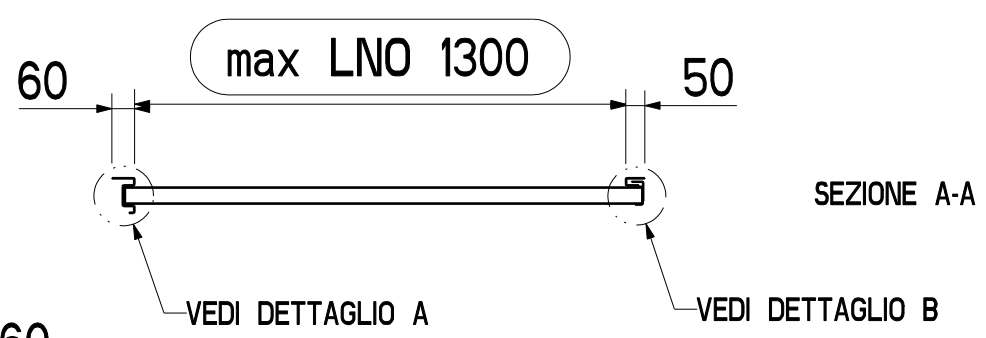
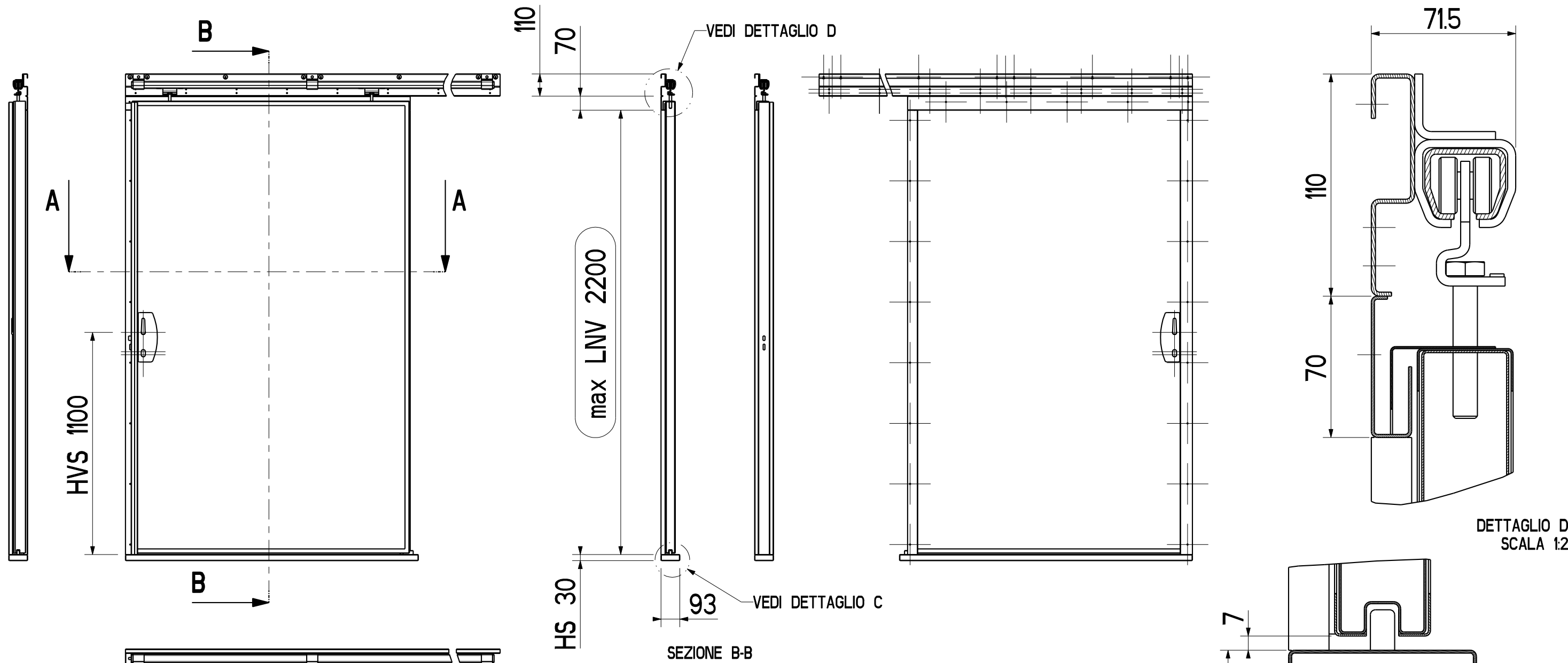


## BLIND SLIDING DOOR

General Information	
description	blind, single leaf, manual or automatic sliding door
type	B15DSB1 // B15DSB1A
manufacturer	Blu Bud srl
Application	
fire properties	B15 Class fire resistant with fire hazard on the opposite side of the suspension trolleys
certificates, approvals	RINA MED Module B Nr. MED244315CS/001
drawing number	B15DSB1
Size	
max horizontal clear opening (LNO)	1300 mm
max vertical clear opening (LNV)	2200 mm
horizontal cut in bulkhead (TFO)	LNO + 185 mm + 5 mm
vertical cut in bulkhead (TFV)	LNV + sill height + over door panel + 5 mm
<i>All relevant sizes to height and width of the doors may be increased of 15% provided that the surface area is not increased of more than 10%.</i>	
sill	15mm
Frame	
section shape	see dwg
section size	see dwg
thickness of steel	1,2mm
materials	steel or stainless steel (ss)
finishing	raw, paint, brushed or polished (ss)
counter frame thickness	0,8mm
Leaf	
concept	sandwich
thickness	40mm
core	mineral wool and calcium silicate
material of skins	steel or stainless steel (ss)
coating	raw, laminates, PVC, brushed or polished (ss)
leaf frame	paint, brushed or polished (ss)
Accessories	
standard	handle, sill cover,
extra	lock, automation device and onboard installation
Mechanical and physical properties	
noise reduction	n.a.

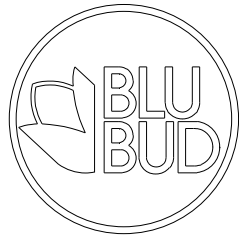
Product data sheet

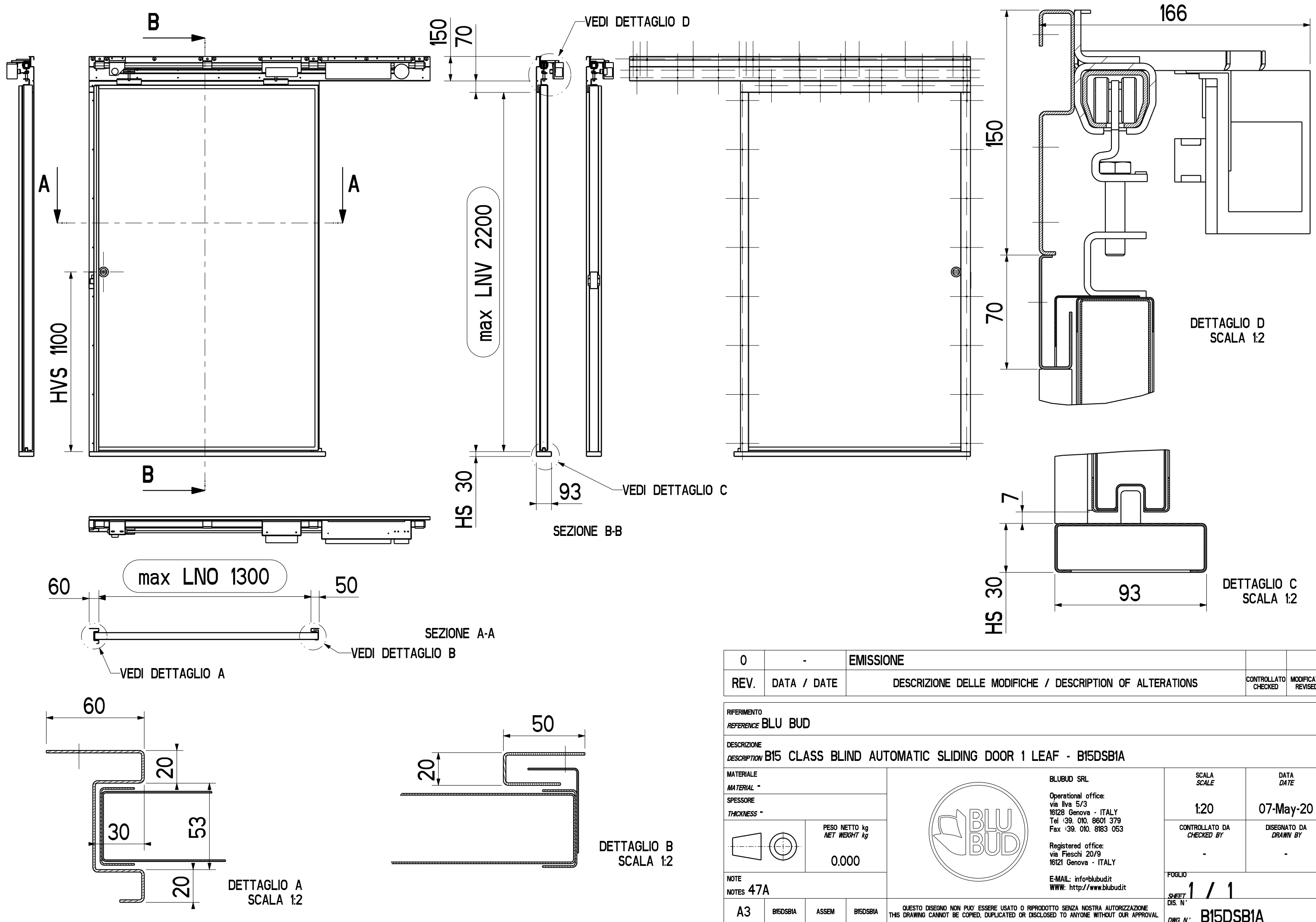
B15\_blind\_slidingdoor\_B15DSB1



DETAGLIO D  
SCALA 1:2

0	-	EMISSIONE		
REV.	DATA / DATE	DESCRIZIONE DELLE MODIFICHE / DESCRIPTION OF ALTERATIONS	CONTROLLATO CHECKED	MODIFICATO REVISED

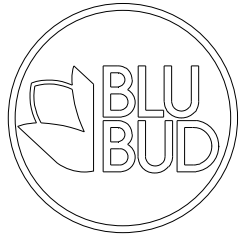
RIFERIMENTO REFERENCE <b>BLU BUD</b>			
DESCRIZIONE DESCRIPTION <b>B15 CLASS BLIND SLIDING DOOR 1 LEAF - B15DSB1</b>			
MATERIALE MATERIAL *		BLUBUD SRL	SCALA SCALE
SPESSORE THICKNESS *		Operational office: via Iva 5/3 16128 Genova - ITALY Tel +39. 010. 8601 379 Fax +39. 010. 8183 053	1:20
NOTE NOTES 47	PESO NETTO kg NET WEIGHT kg 0.000	Registered office: via Fieschi 20/9 16121 Genova - ITALY	DATA DATE 07-May-20
A3	B15DSB1	ASSEM	B15DSB1
QUESTO DISEGNO NON PUO' ESSERE USATO O RIPRODOTTO SENZA NOSTRA AUTORIZZAZIONE THIS DRAWING CANNOT BE COPIED, DUPLICATED OR DISCLOSED TO ANYONE WITHOUT OUR APPROVAL		E-MAIL: info@blubud.it WWW: http://www.blubud.it	
		FOGLIO SHEET 1 / 1 DIS. N° DWG N° <b>B15DSB1</b>	



0	-	EMISSIONE		
REV.	DATA / DATE	DESCRIZIONE DELLE MODIFICHE / DESCRIPTION OF ALTERATIONS	CONTROLLATO CHECKED	MODIFICATO REVISED

RIFERIMENTO / REFERENCE: **BLU BUD**

DESCRIZIONE / DESCRIPTION: **B15 CLASS BLIND AUTOMATIC SLIDING DOOR 1 LEAF - B15DSB1A**

MATERIALE / MATERIAL		BLUBUD SRL	SCALA / SCALE	DATA / DATE
SPESSORE / THICKNESS		Operational office: via Iva 5/3 16128 Genova - ITALY Tel +39. 010. 8601 379 Fax +39. 010. 8183 053	1:20	07-May-20
NOTE	PESO NETTO kg / NET WEIGHT kg	Registered office: via Fieschi 20/9 16121 Genova - ITALY	CONTROLLATO DA / CHECKED BY	DESEGNATO DA / DRAWN BY
NOTES 47A	0.000	E-MAIL: info@blubud.it WWW: http://www.blubud.it	-	-
A3	B15DSB1A	ASSEM	B15DSB1A	FOGLIO / SHEET 1 / 1

QUESTO DISEGNO NON PUO' ESSERE USATO O RIPRODOTTO SENZA NOSTRA AUTORIZZAZIONE / THIS DRAWING CANNOT BE COPIED, DUPLICATED OR DISCLOSED TO ANYONE WITHOUT OUR APPROVAL

DWG N° **B15DSB1A**