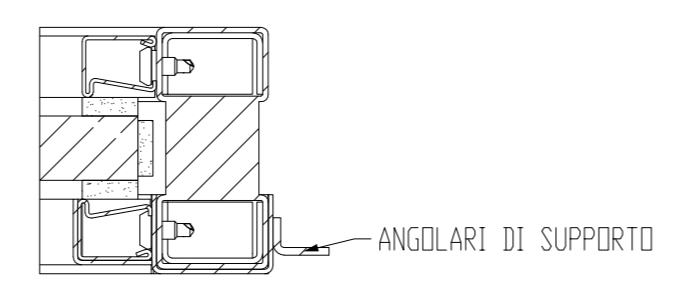
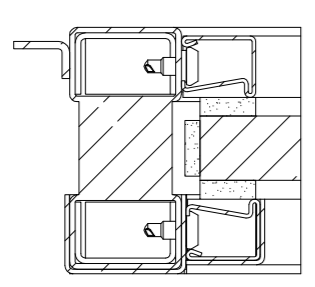
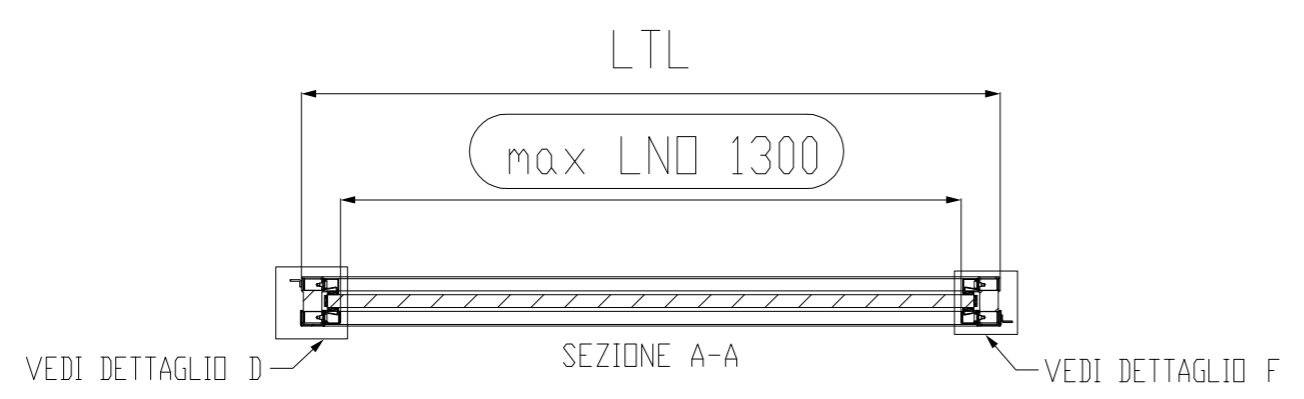
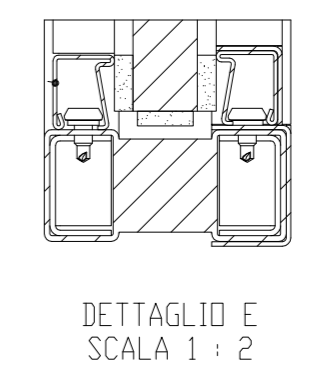
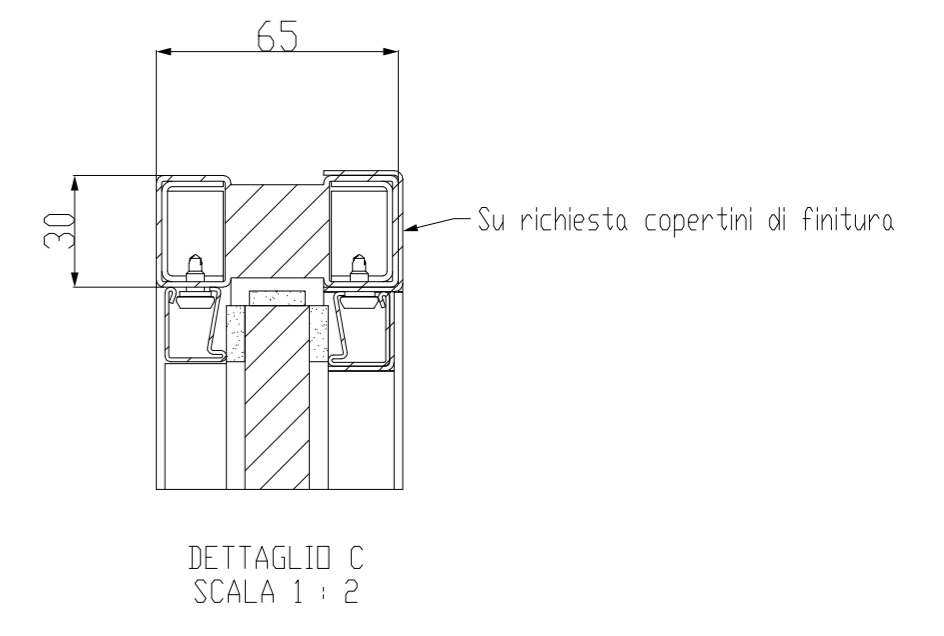
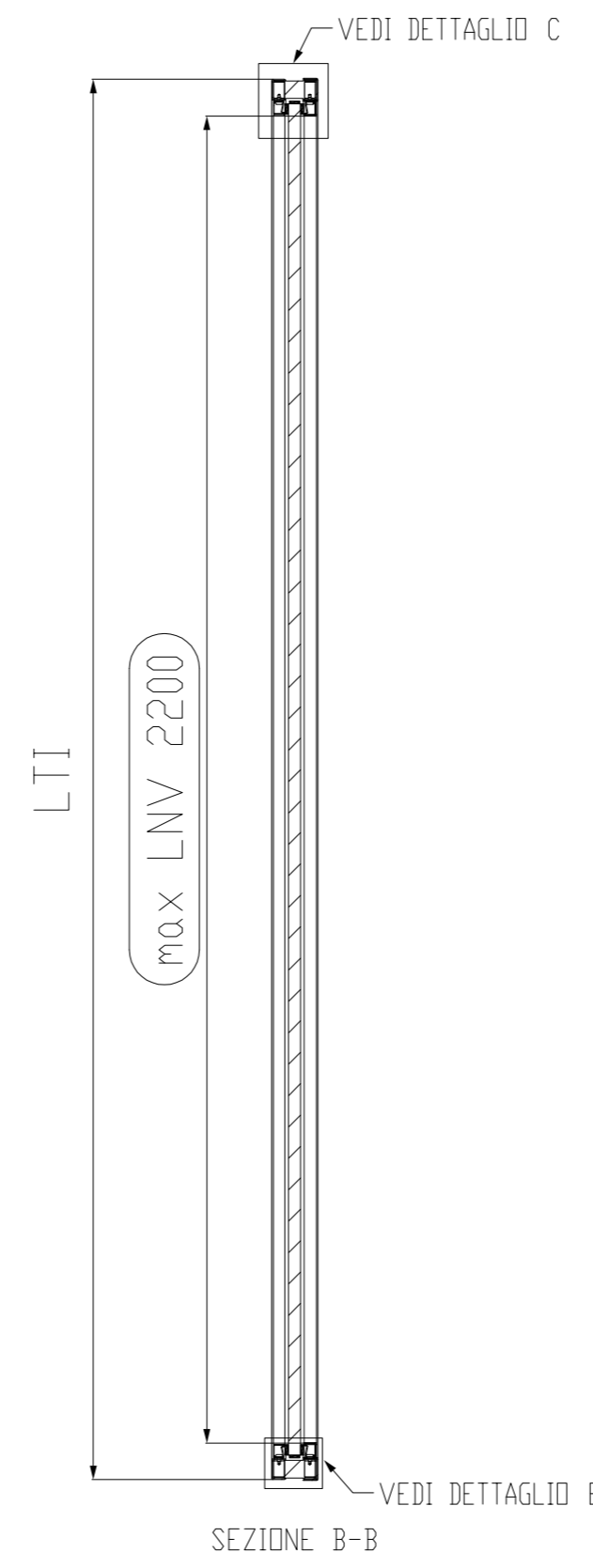
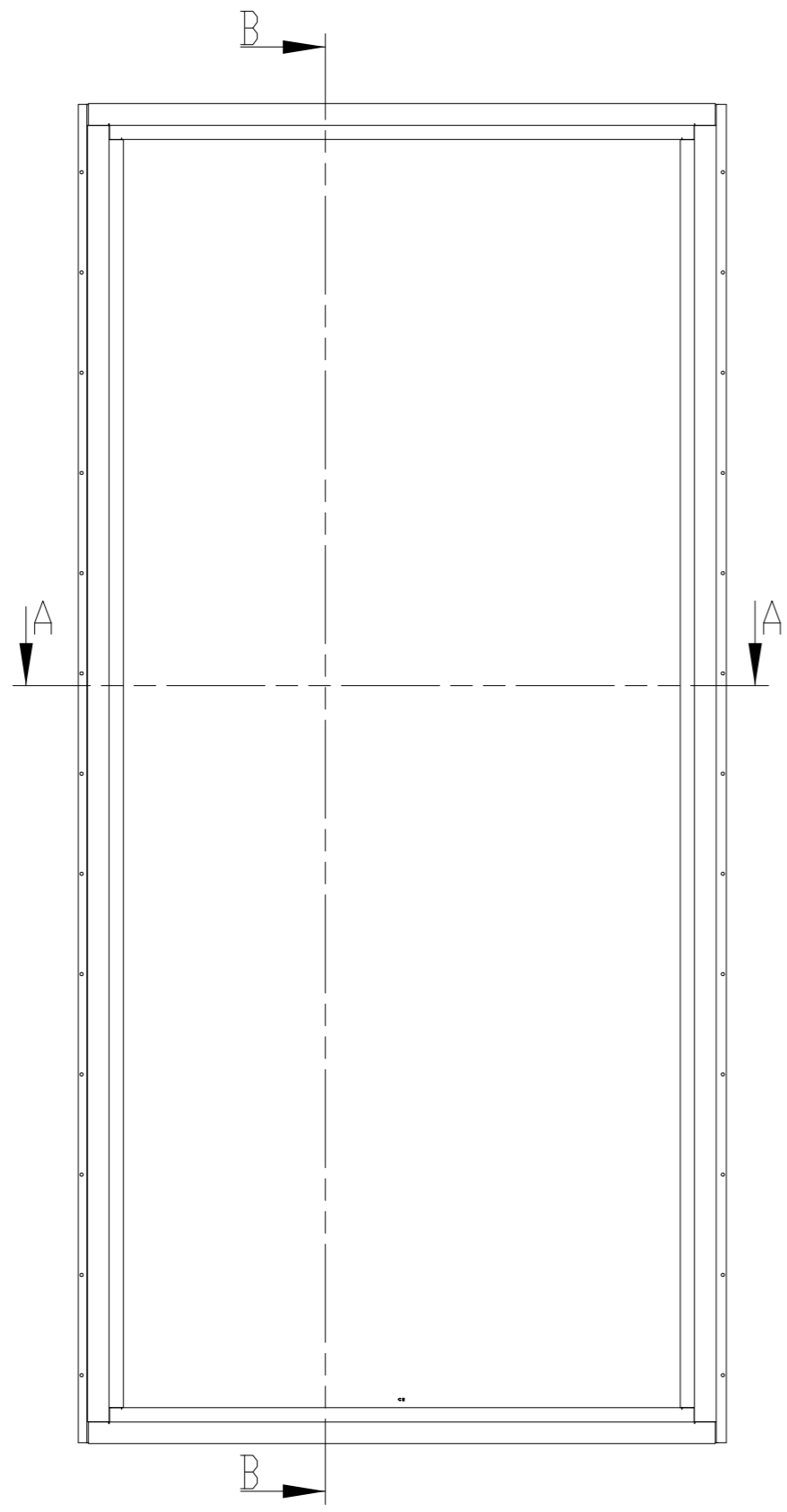



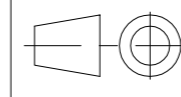


## WINDOW

General Information	
description	internal windows
type	B15WFG
manufacturer	Blu Bud srl
Application	
fire properties	B15 Class fire resistant
certificates, approvals	RINA MED Module B Nr. MED264319CS/002
drawing number	B15WFG
Size	
max horizontal clear opening (LNO)	1300 mm
max vertical clear opening (LNV)	2200 mm
horizontal cut in bulkhead (TPO)	LNO + 100 mm + 10 mm
vertical cut in bulkhead (TPV)	LNV + 100 mm + 10 mm
Frame	
section shape	see dwg
section size	see dwg
thickness of steel	1,5 mm
materials	steel or stainless steel (ss)
finishing	raw, paint, brushed or polished (ss)
counter frame thickness	1,5 mm
Leaf	
glass	PYROBEL
thickness minimum of glass	17 +/- 1 mm
thickness of window	65 mm
Accessories	
decoration	custom request
Mechanical and physical properties	
noise reduction	n.a.

Product data sheet



0	-	EMISSIONE		
REV.	DATA / DATE	DESCRIZIONE DELLE MODIFICHE / DESCRIPTION OF ALTERATIONS	CONTROLLATO / CHECKED	MODIFICATO / REVISED
RIFERIMENTO / REFERENCE: BLU BUD				
DESCRIZIONE / DESCRIPTION: B15 GLASS WALL - B15WFG1				
MATERIALE / MATERIAL: -		 BLUBUD SRL Operational office: via Ivo S/3 16128 Genova - ITALY Tel +39. 010. 8601 379 Fax +39. 010. 8183 053  Registered office: via Fieschi 20/9 16121 Genova - ITALY  E-MAIL: info @blubudit WWW: http://www.blubudit	SCALA / SCALE: 1:10	DATA / DATE: 27-Aug-20
SPESSORE / THICKNESS: -			CONTROLLATO DA / CHECKED BY: -	DISEGNATO DA / DRAWN BY: -
 PESO NETTO kg / NET WEIGHT kg: 0.000			FOGLIO / SHEET: 1 / 1	
NOTE / NOTES: XXX				
A2	B15WFG1	ASSEM	B15WFG1	QUESTO DISEGNO NON PUO' ESSERE USATO O RIPRODOTTO SENZA NOSTRA AUTORIZZAZIONE / THIS DRAWING CANNOT BE COPIED, DUPLICATED OR DISCLOSED TO ANYONE WITHOUT OUR APPROVAL. DIS. N° / DWG N°: B15WFG1