



Datasheet n. 048

No class

BLIND HINGED DOOR

General Information	
description	hinged, single or double leaf, swing door
type	C00DHB1L/C00DHB2L
manufacturer	Blu Bud srl
Application	
fire properties	non combustible
drawing number	C00DHB1L, C00DHB2L
Size	
max horizontal clear opening (LNO)	any limit
max vertical clear opening (LNV)	any limit
horizontal cut in bulkhead (TFO)	LNO + 40 mm + 10 mm
vertical cut in bulkhead (TFV)	LNV + sill height + over door panel + 5 mm
sill	20 mm
*all dimensions may change according to customer requirements	
Frame	
section shape	see dwg
section size	see dwg
thickness of steel	1,2mm
materials	steel or stainless steel (ss)
finishing	raw, paint, brushed or polished (ss)
counter frame thickness	0,8mm
Leaf	
concept	sandwich
thickness	40 mm
core	one layer of mineral wool
material of skins	steel or stainless steel (ss)
coating	raw, laminates, PVC, brushed or polished (ss)
leaf frame	paint, brushed or polished (ss)
Accessories	
standard	hinges, sill cover
extra	custom made
Mechanical and physical properties	
noise reduction	n.a.

Product data sheet

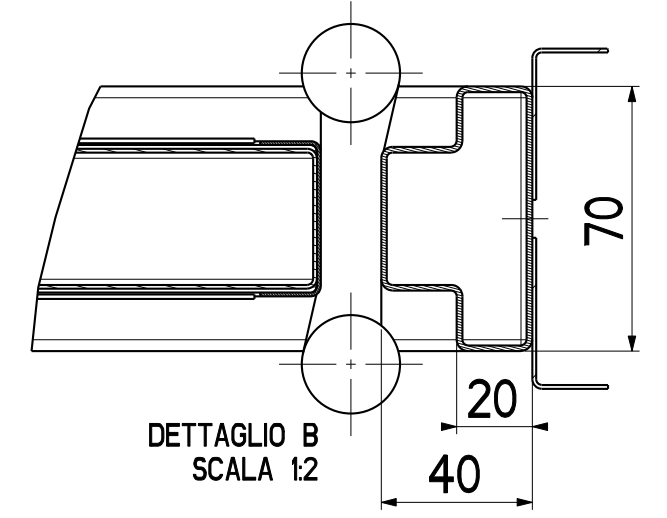
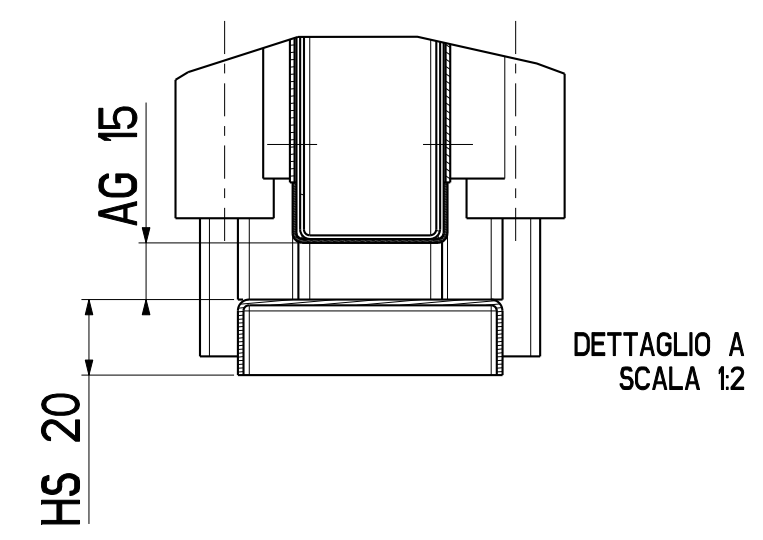
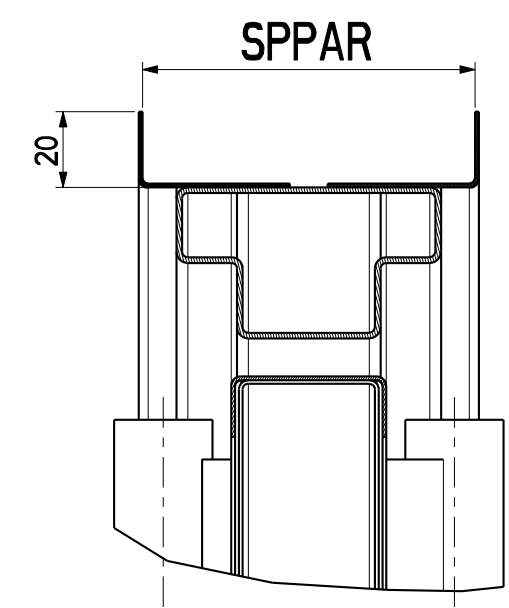
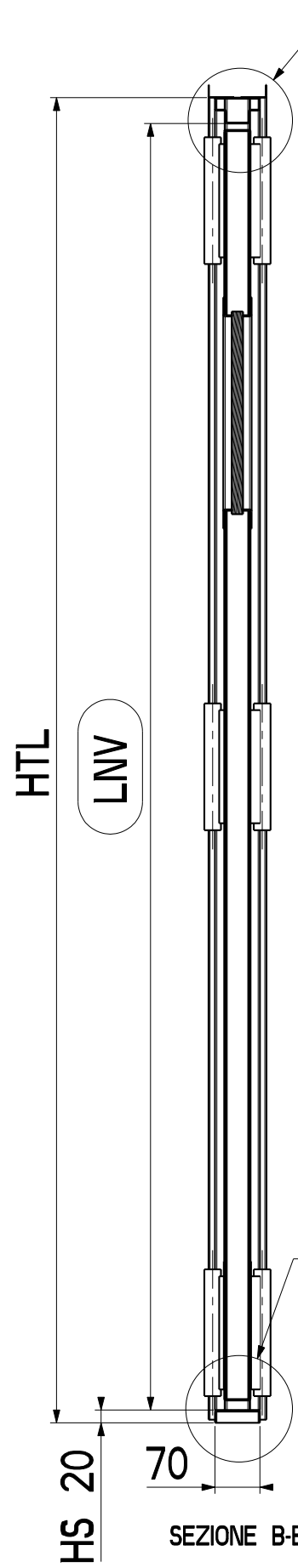
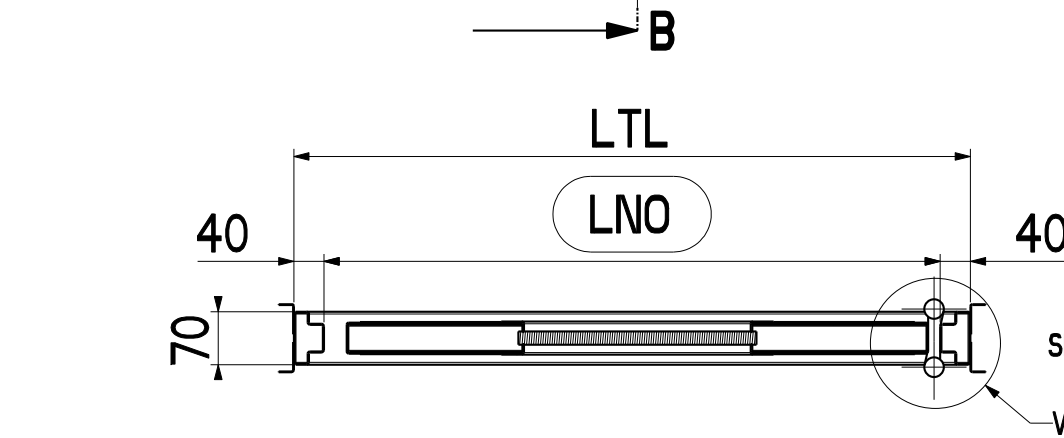
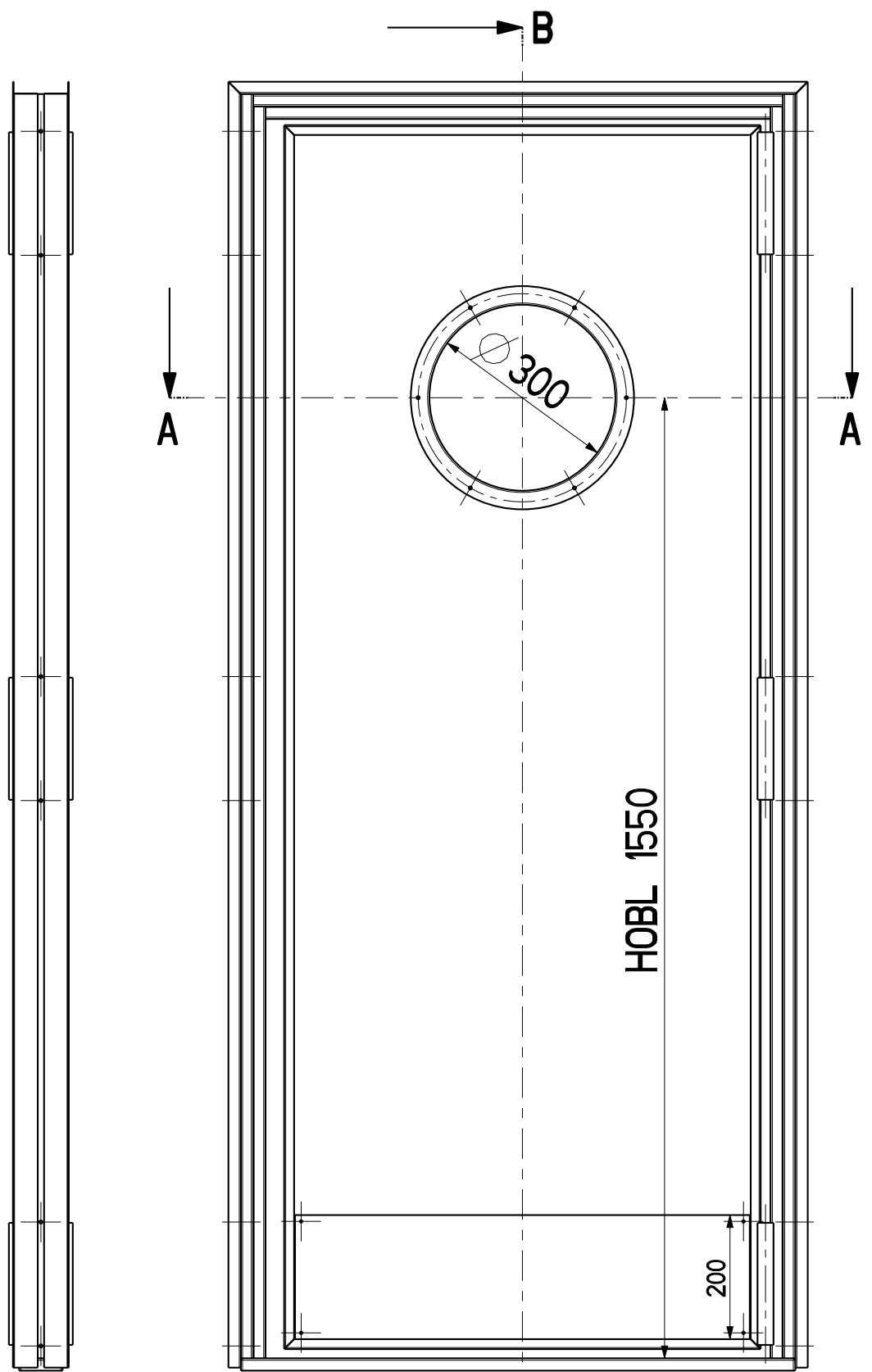
C_hinged_blind_C00DHB1L

BLU BUD SRL
info@blubud.it
www.blubud.it

Sede legale:
Via Fieschi, 20/9
16121 Genova, Italia
c.f. e p.iva 01766240996
Reg. impr. Genova REA 43442

Engineering:
Via Ilva, 5/3
16128 Genova, Italia
t +39 010 86 01 379/618
f +39 010 81 83 053

Produzione e Magazzino
Via Remis, 16
33050 San Vito al Torre
Udine - Italia
t +39 0432 1848198

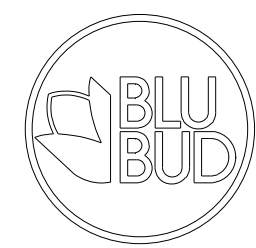


0	-	EMMISSIONE		
REV.	DATA / DATE	DESCRIZIONE DELLE MODIFICHE / DESCRIPTION OF ALTERATIONS	CONTROLLATO CHECKED	MODIFICATO REVISED

RIFERIMENTO
REFERENCE **BLU BUD**

DESCRIZIONE
DESCRIPTION **SWING BLIND HINGED DOOR - COODHB1L**

MATERIALE
MATERIAL *
SPESSORE
THICKNESS *
PESO NETTO kg
NET WEIGHT kg
0.000



BLUBUD SRL
Operational office:
via Iva 5/3
16128 Genova - ITALY
Tel +39. 010. 8601 379
Fax +39. 010. 8183 053
Registered office:
via Fieschi 20/9
16121 Genova - ITALY
E-MAIL: info@blubud.it
WWW: http://www.blubud.it

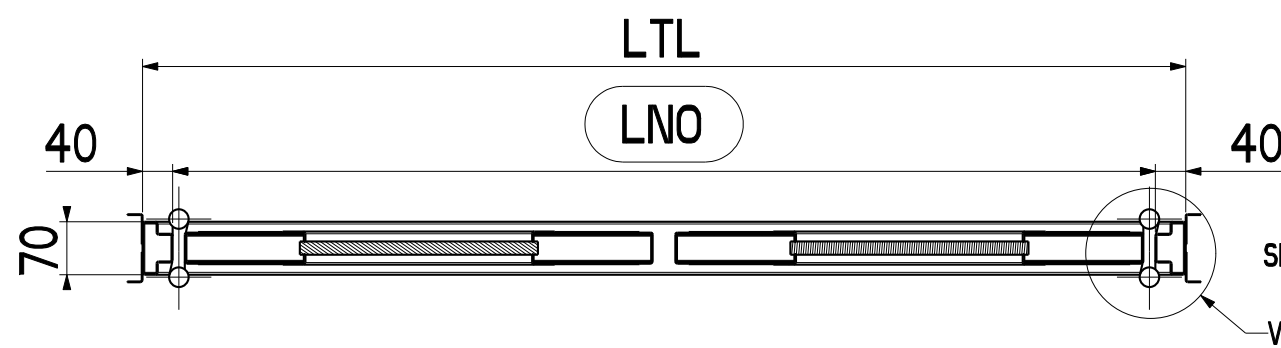
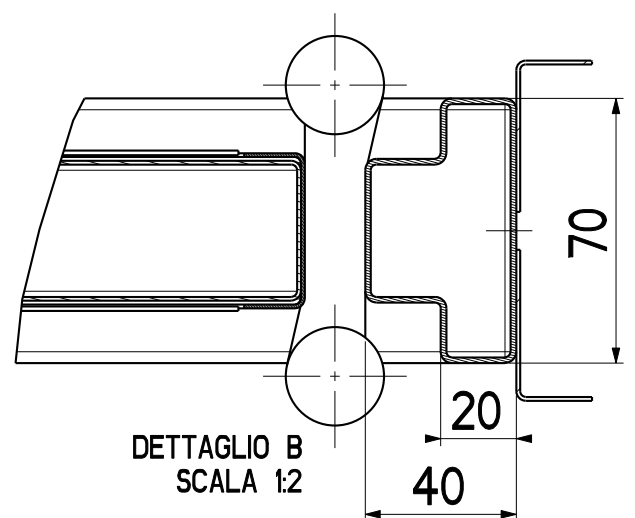
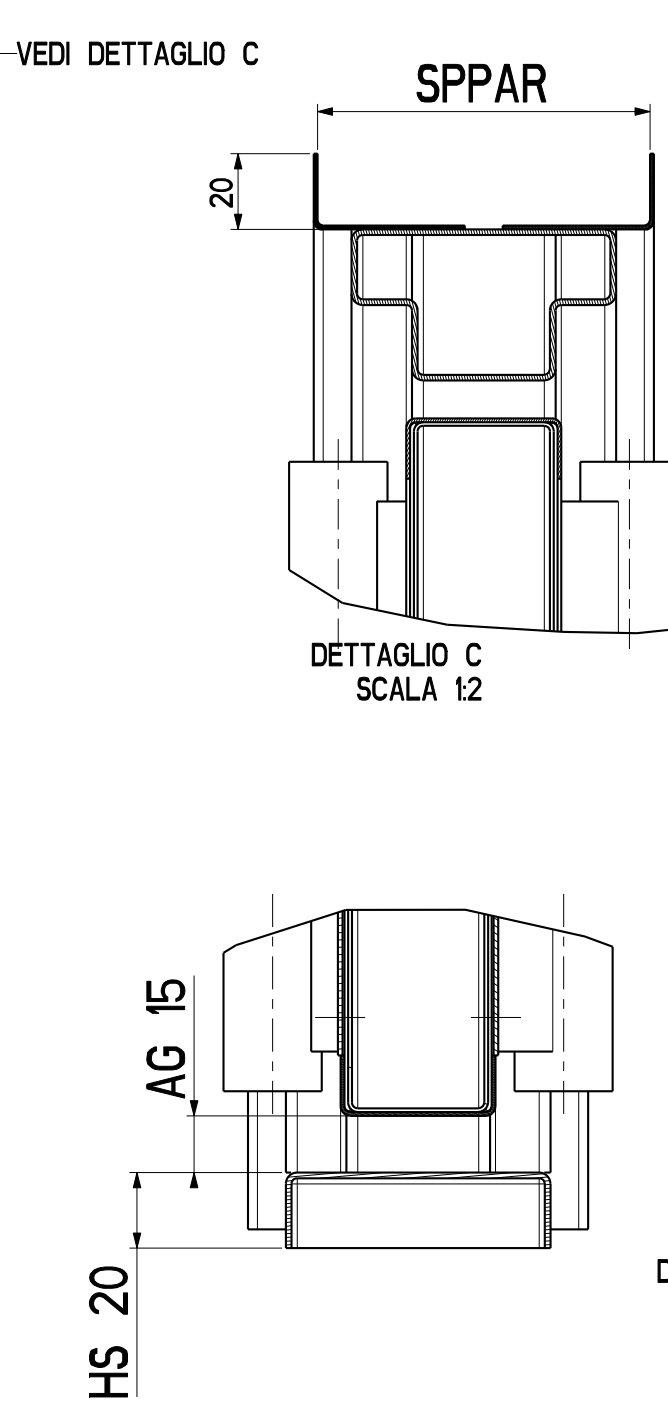
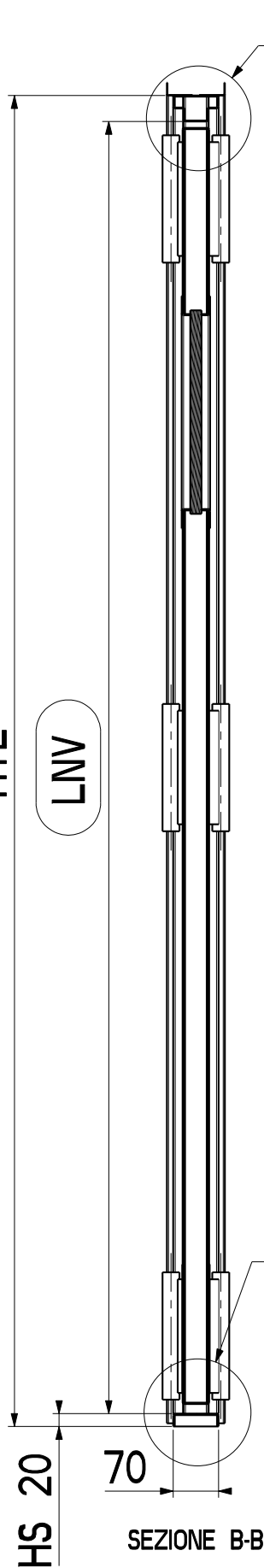
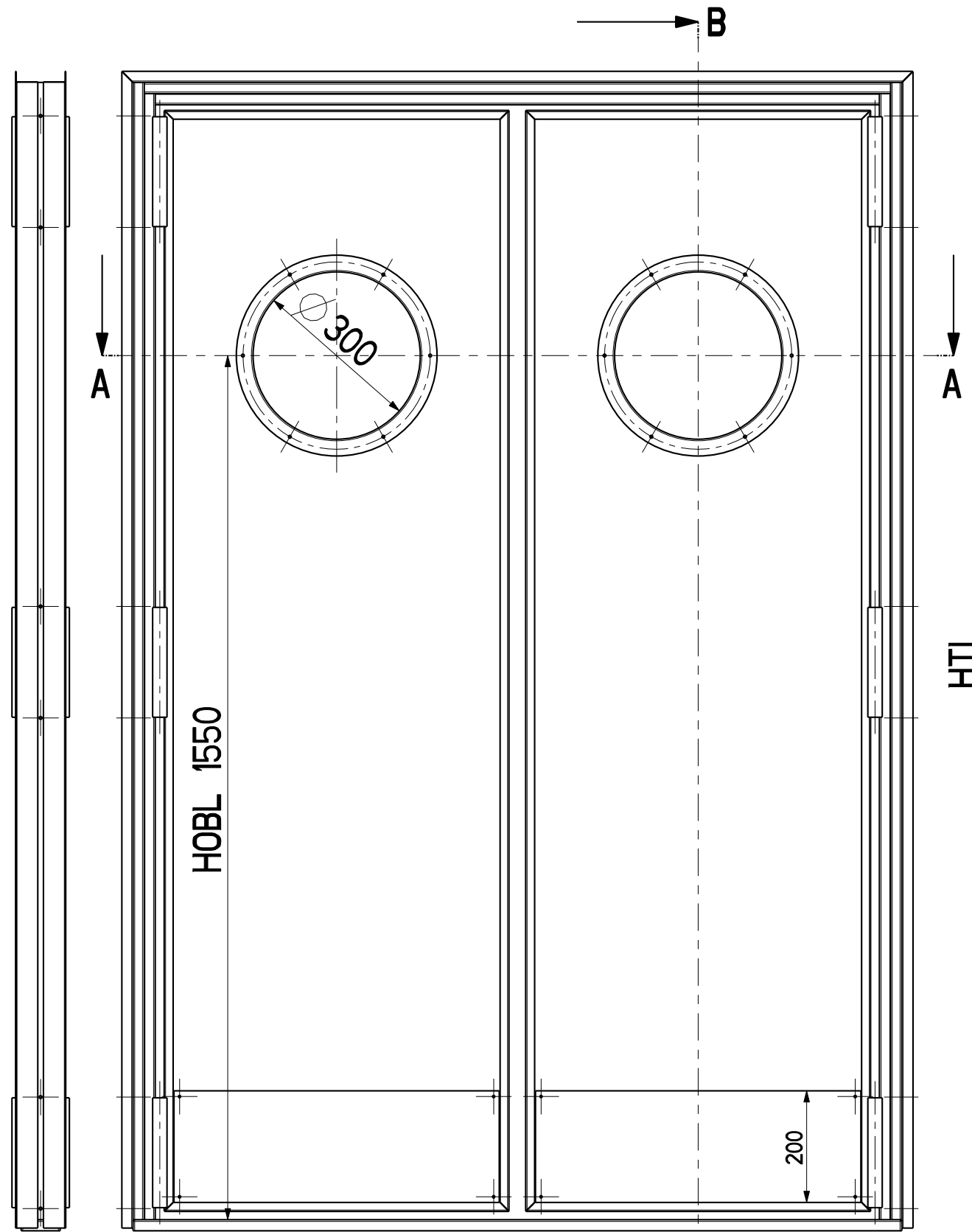
SCALA SCALE	DATA DATE
1:10	08-May-20
CONTROLLATO DA CHECKED BY	DEGNATO DA DRAWN BY
-	-

NOTE
NOTES 48

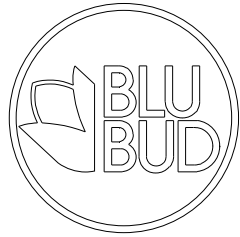
A3 COODHB1L ASSEM COODHB1L

QUESTO DISEGNO NON PUO' ESSERE USATO O RIPRODOTTO SENZA NOSTRA AUTORIZZAZIONE
THIS DRAWING CANNOT BE COPIED, DUPLICATED OR DISCLOSED TO ANYONE WITHOUT OUR APPROVAL

FOGLIO
SHEET 1 / 1
DIS. N°
DWG N° COODHB1L



0	-	EMISSIONE		
REV.	DATA / DATE	DESCRIZIONE DELLE MODIFICHE / DESCRIPTION OF ALTERATIONS	CONTROLLATO CHECKED	MODIFICATO REVISED

RIFERIMENTO REFERENCE BLU BUD		DESCRIZIONE DESCRIPTION SWING BLIND HINGED DOOR - COODHB2L		
MATERIALE MATERIAL *		BLUBUD SRL Operational office: via Iva 5/3 16128 Genova - ITALY Tel +39. 010. 8601 379 Fax +39. 010. 8183 053	SCALA SCALE 1:10	DATA DATE 08-May-20
SPESSORE THICKNESS *		PESO NETTO kg NET WEIGHT kg 0.000	Registered office: via Fieschi 20/9 16121 Genova - ITALY E-MAIL: info@blubud.it WWW: http://www.blubud.it	CONTROLLATO DA CHECKED BY -
NOTE NOTES 48A		FOGLIO SHEET 1 / 1		
A3	COODHB2L	ASSEM	COODHB2L	QUESTO DISEGNO NON PUO' ESSERE USATO O RIPRODOTTO SENZA NOSTRA AUTORIZZAZIONE THIS DRAWING CANNOT BE COPIED, DUPLICATED OR DISCLOSED TO ANYONE WITHOUT OUR APPROVAL DWG N° COODHB2L