

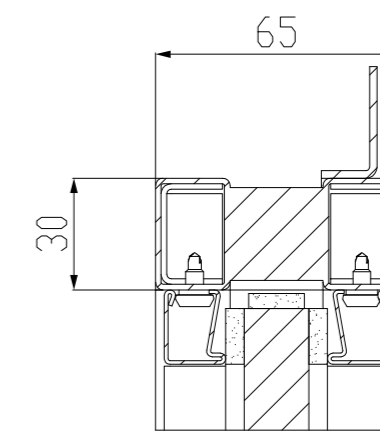
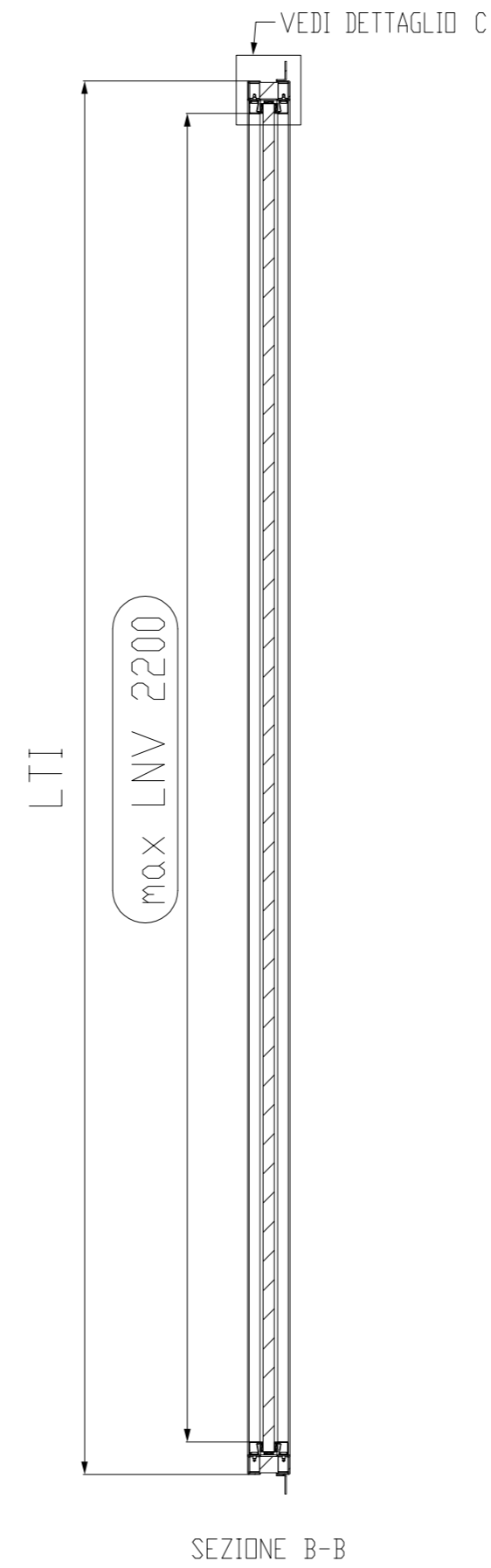
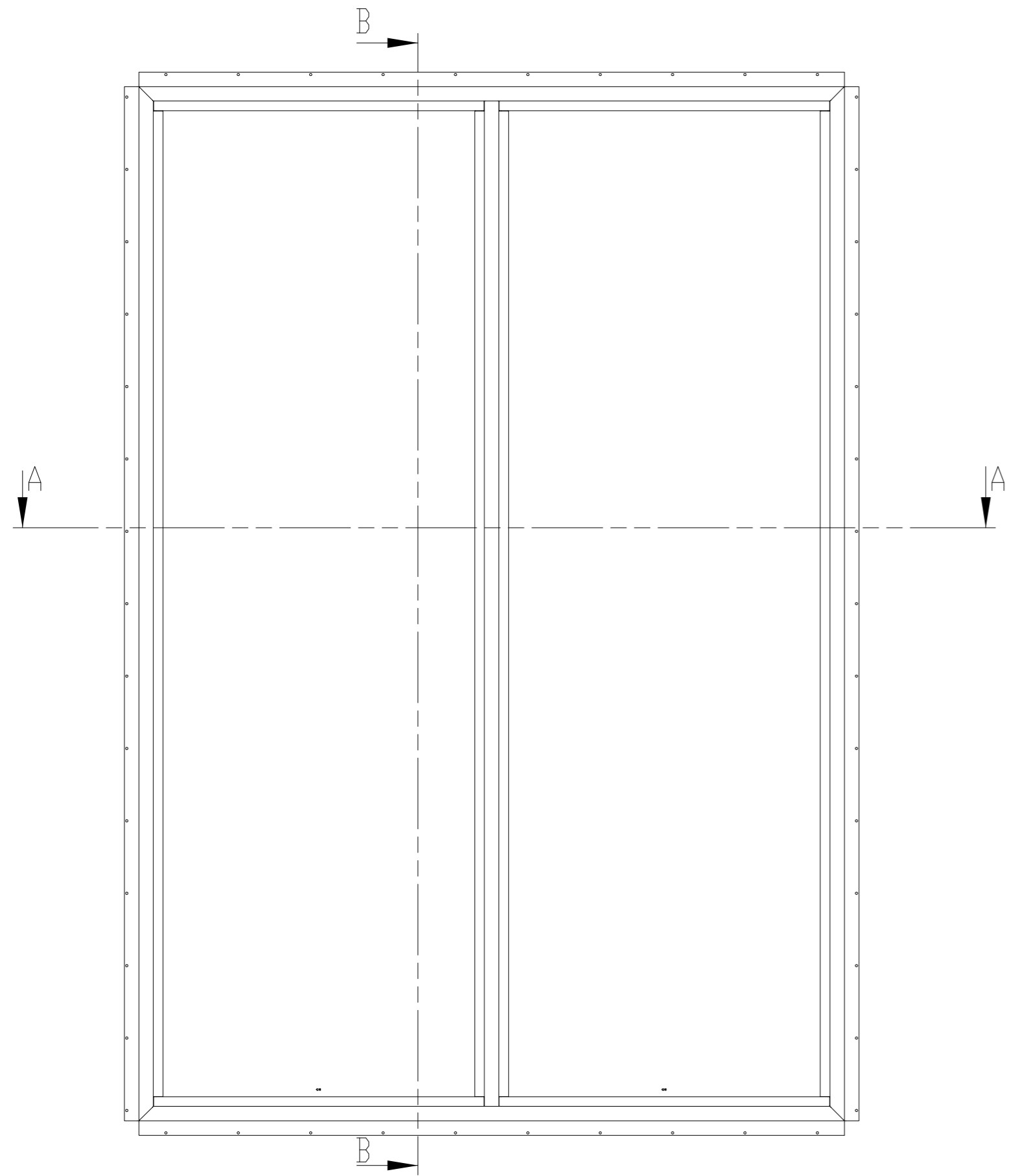


WINDOW

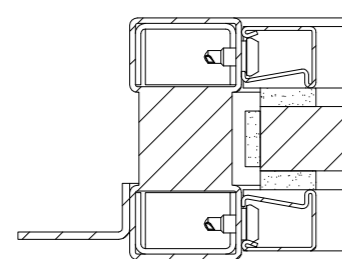
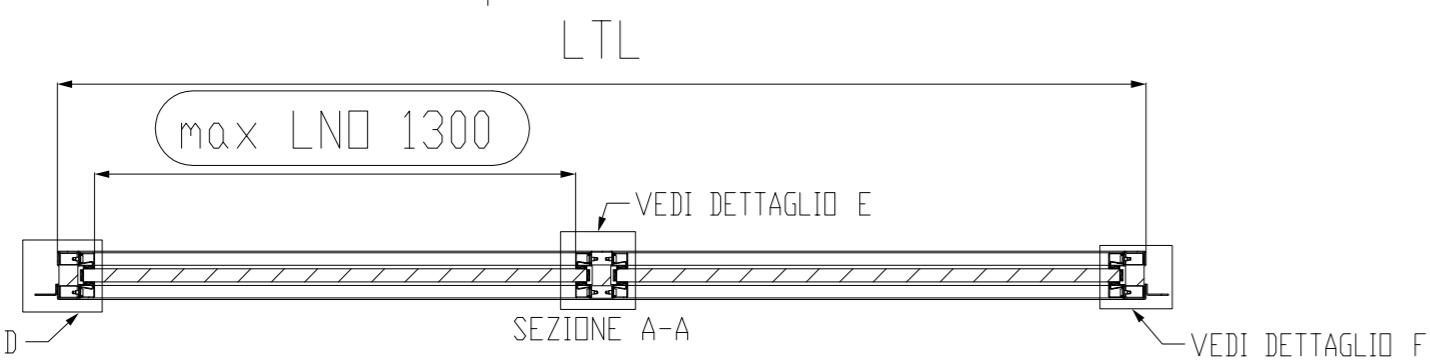
General Information	
description	internal windows or glass wall
type	INFINITY
manufacturer	Blu Bud srl
Application	
fire properties	B15 Class fire resistant
certificates, approvals	RINA MED Module B Nr. MED288618CS
drawing number	B15INFINITY
Size	
max horizontal clear opening (LNO)	1200 mm
max vertical clear opening (LNV)	2200 mm
horizontal cut in bulkhead (TPO)	Overall width + 20 mm
vertical cut in bulkhead (TPV)	Overall height + 20 mm
Frame	
section shape	see dwg
section size	see dwg
thickness of steel	1,5 mm
materials	steel or stainless steel (ss)
finishing	raw, paint, brushed or polished (ss)
counter frame thickness	1,5 mm
Leaf	
glass	PYROBEL
thickness minimum of glass	17 +/- 1 mm
thickness of window	65 mm
Accessories	
decoration	custom request
Mechanical and physical properties	
noise reduction	n.a.

Product data sheet

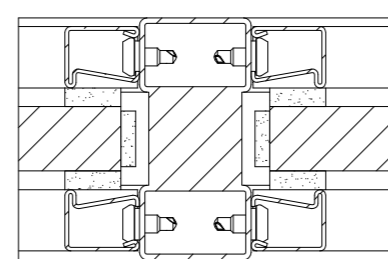
B15_window_INFINITY_rev00



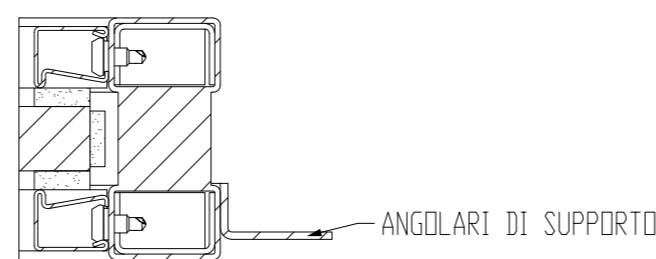
DETTAGLIO C
SCALA 1 : 2



DETTAGLIO D
SCALA 1 : 2



DETTAGLIO E
SCALA 1 : 2



DETTAGLIO F
SCALA 1 : 2

0	-	EMISSIONE		
REV.	DATA / DATE	DESCRIZIONE DELLE MODIFICHE / DESCRIPTION OF ALTERATIONS	CONTROLLATO CHECKED	MODIFICATO REVISED
RIFERIMENTO REFERENCE BLU BUD				
DESCRIZIONE DESCRIPTION B15 INFINITY GLASS WALL - - -				
MATERIALE MATERIAL -	BLUBUD SRL Operational office: via Ivo S/3 16128 Genova - ITALY Tel +39. 010. 8601 379 Fax +39. 010. 8183 053		SCALA SCALE 1:10	DATA DATE 27-Aug-20
SPESSORE THICKNESS -	PESO NETTO kg NET WEIGHT kg 0,000		CONTROLLATO DA CHECKED BY -	DISegnATO DA DRAWN BY -
NOTE NOTES XXX	E-MAIL: info @blubudit WWW: http://www.blubudit		FOGLIO SHEET 1 / 1	
A2	---	ASSEM	QUESTO DISEGNO NON PUO' ESSERE USATO O RIPRODOTTO SENZA NOSTRA AUTORIZZAZIONE THIS DRAWING CANNOT BE COPIED, DUPLICATED OR DISCLOSED TO ANYONE WITHOUT OUR APPROVAL.	
			DIS. N° DWG N° INFINITY	