

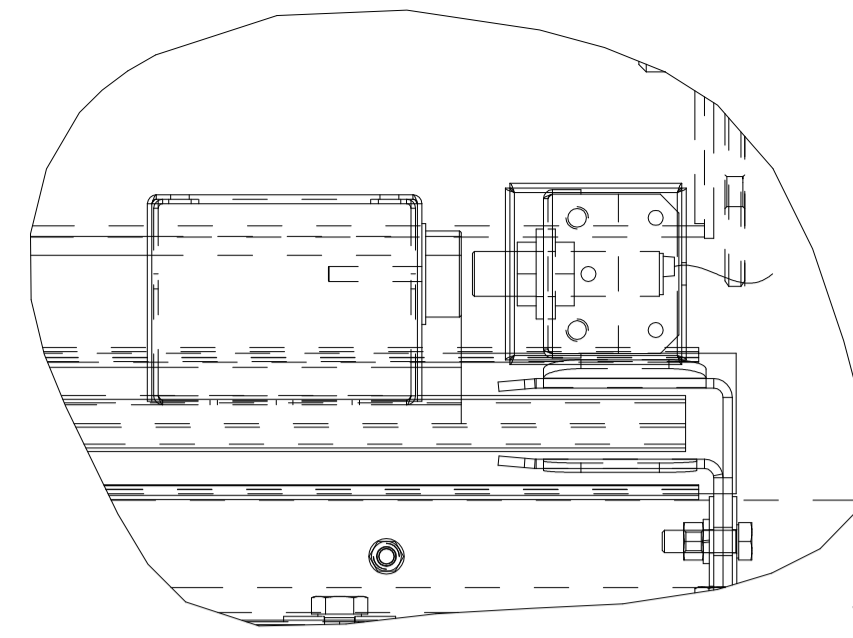
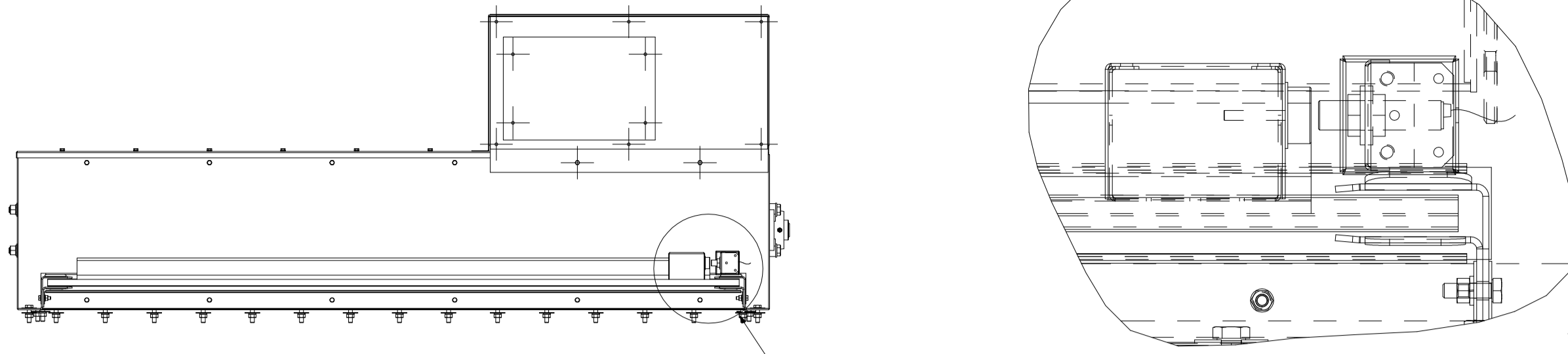
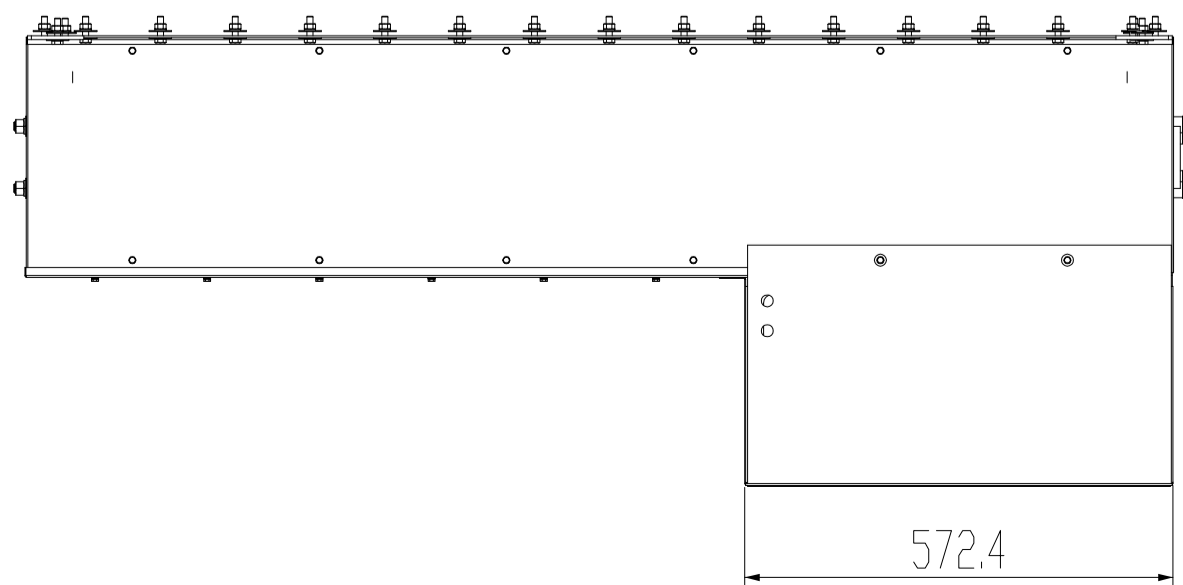
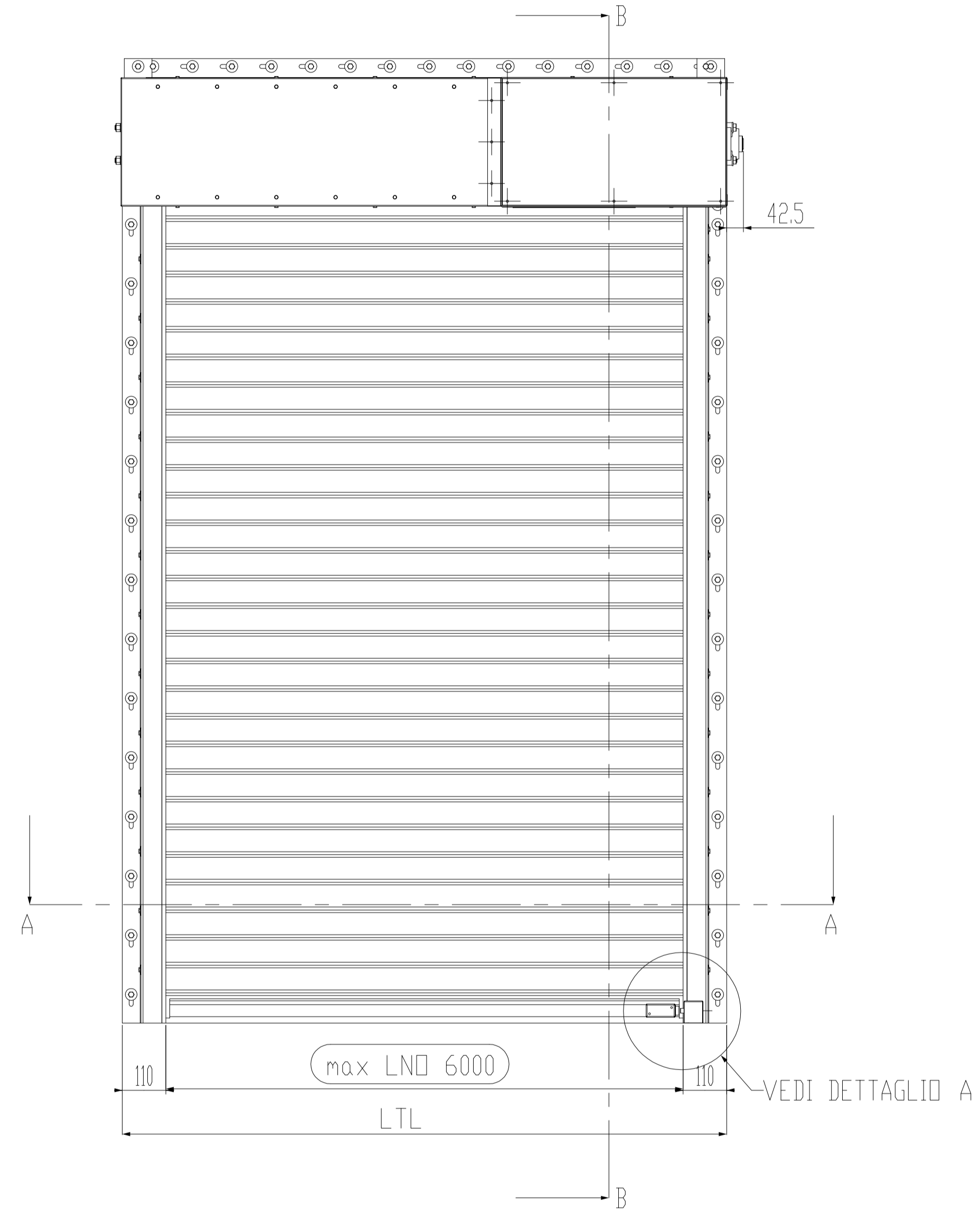
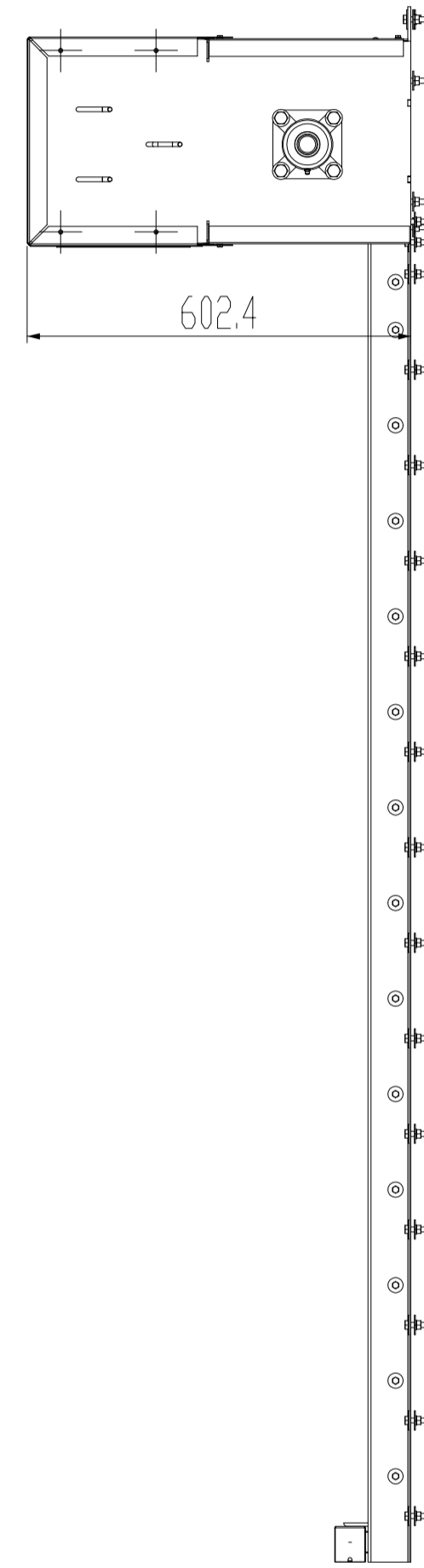


ROLLING SHUTTER

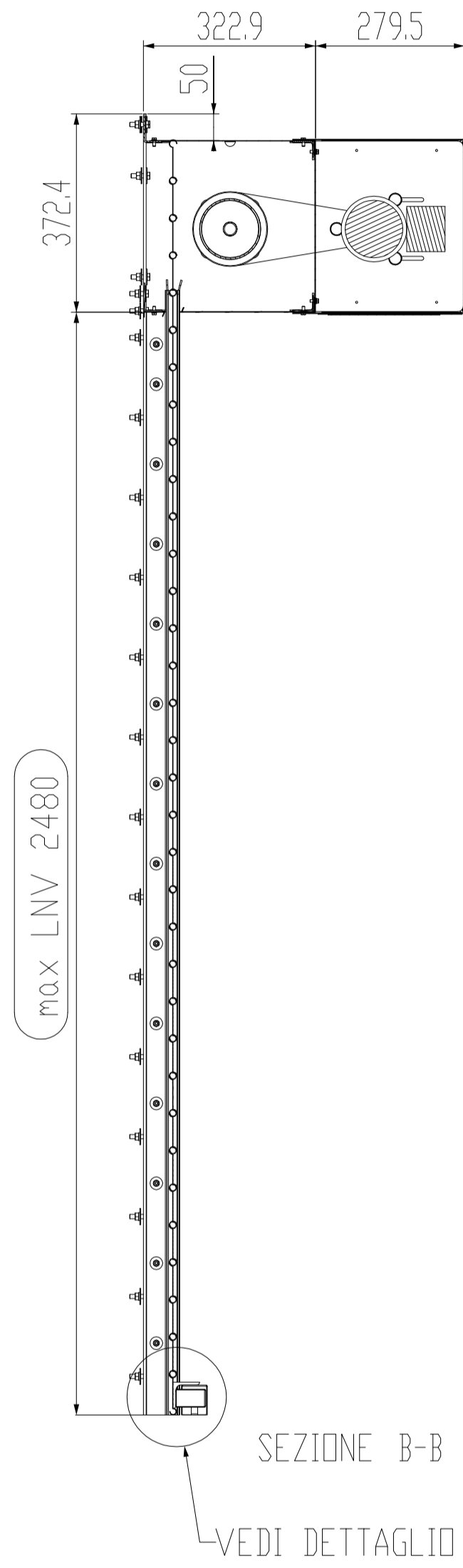
General Information	
description	Automatic rolling shutter
type	A00RS060
manufacturer	Blu Bud srl
Application	
fire properties	A0 Class fire resistant
certificates, approvals	RINA MED Module B Nr. MED 263919CS
drawing number	A00RS060
Size	
max horizontal clear opening (LNO)	6000 mm
max vertical clear opening (LNV)	2480 mm
horizontal cut in bulkhead (TPO)	LNO
vertical cut in bulkhead (TPV)	LNV
sill	N.A.
Frame	
section shape	L shape customer supply
section size	70x120 mm
thickness of steel	5 mm
materials	steel
finishing	raw or primed
slide channels	82,5 x 24 mm thickness 2,5 mm
Shutter	
blade height	71 mm
thickness	1 mm
material	stainless steel (ss)
Accessories	
electrical drive	220-230 V, single phase, 400 W
release unit	brake release solenoid with auto reset and fusible link
Mechanical and physical properties	
noise reduction	n.a.

Product data sheet

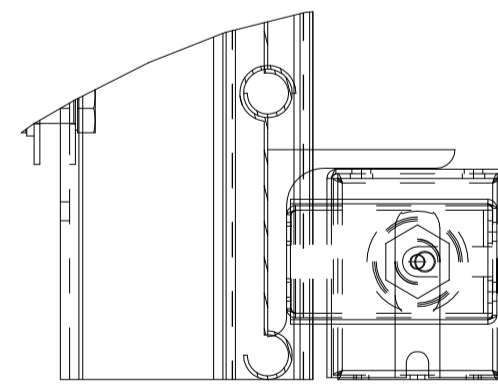
A0_Rolling_shutter_type_A00RS060



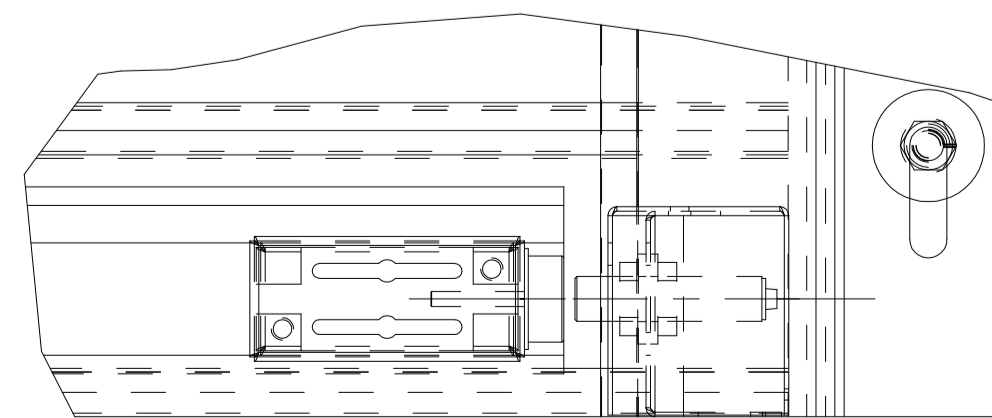
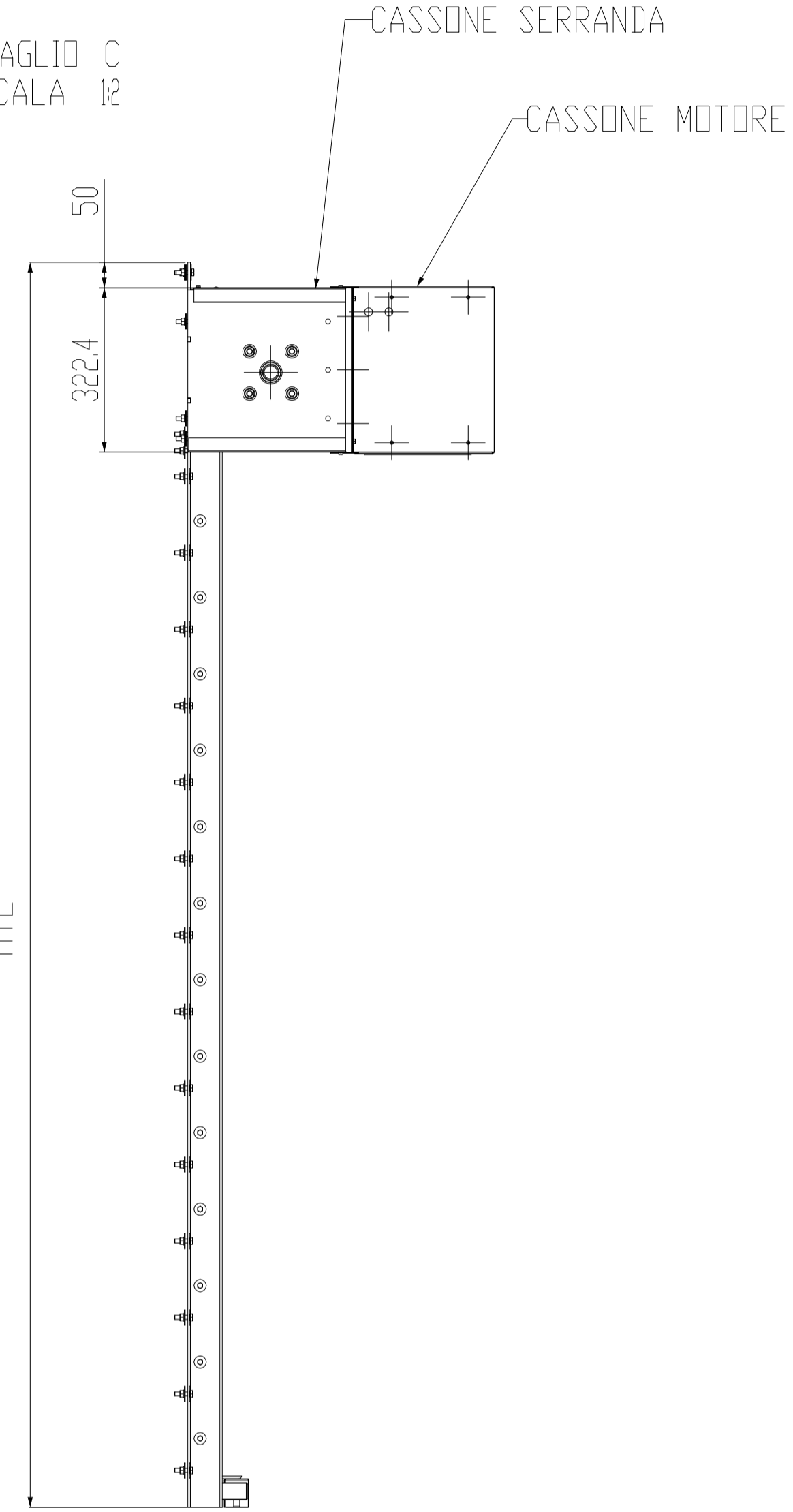
DETTAGLIO C
SCALA 1:2



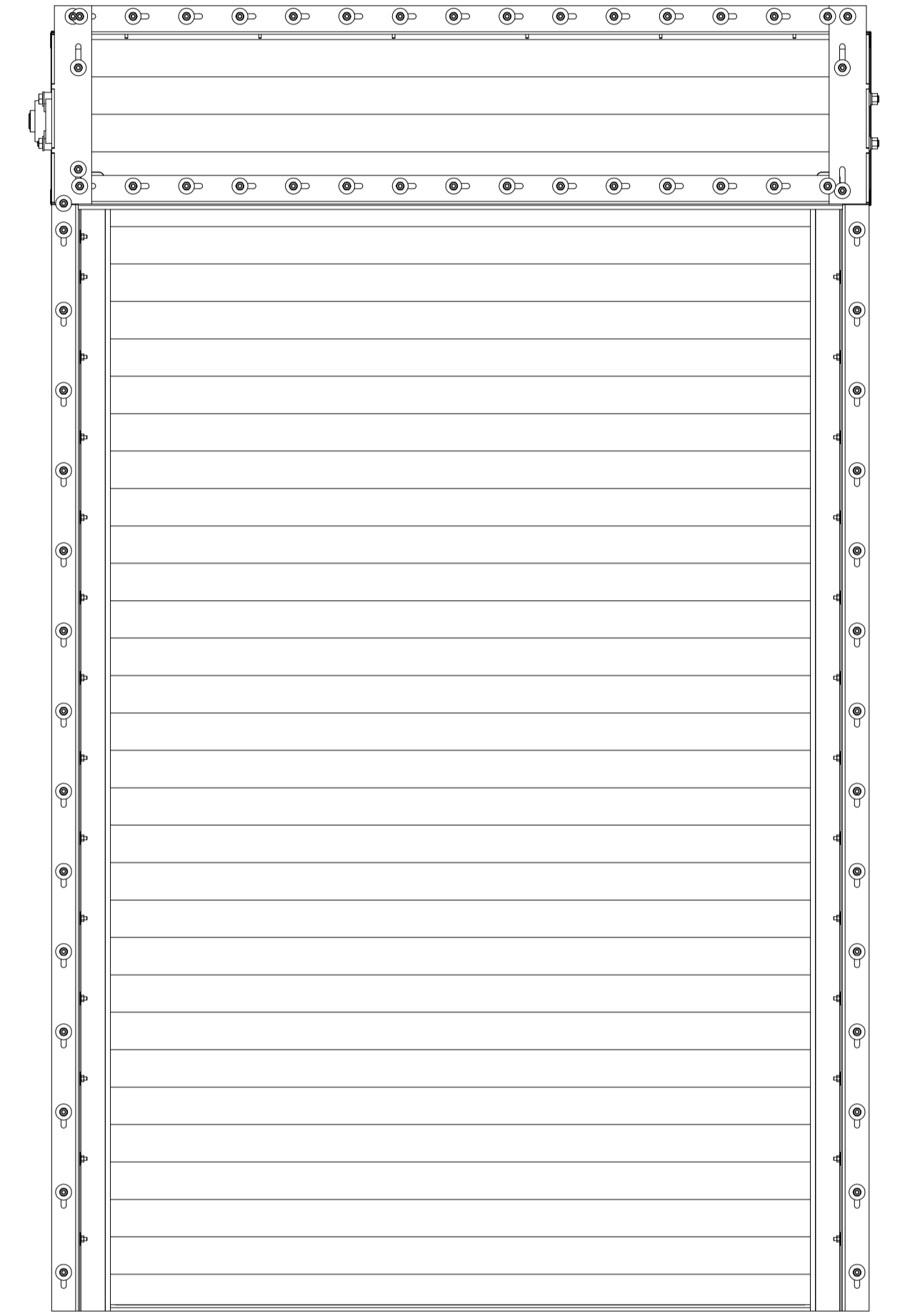
SEZIONE B-B
VEDI DETTAGLIO B



DETTAGLIO B
SCALA 1:2



DETTAGLIO A
SCALA 1:2



0	-	EMISSIONE		
REV.	DATA / DATE	DESCRIZIONE DELLE MODIFICHE / DESCRIPTION OF ALTERATIONS	CONTROLLATO / CHECKED	MODIFICATO / REVISED
RIFERIMENTO / REFERENCE: BLU BUD				
DESCRIZIONE / DESCRIPTION: AD FIRE RATED ROLLER SHUTTER LARGE SIZE				
MATERIALE / MATERIAL: -		BLUBUD SRL Operational office via Jna 5/3 36038 Serrone - ITALY Tel +39 0445 888 379 Fax +39 0445 888 183		SCALA / SCALE: 1:10
PESORE / PRESSURE: -		Registered office via Fieschi 28/P 36022 Serrone - ITALY		DATA / DATE: 01-Sep-20
SPESSORE / THICKNESS: -		E-MAIL: info@blubud.it WWW: http://www.blubud.it		CONTROLLATO DA / CHECKED BY: -
NOTE / NOTES: -		QUESTO DISEGNO NON PUO' ESSERE USATO O RIPRODOTTO SENZA NOSTRA AUTORIZZAZIONE / THIS DRAWING CANNOT BE COPIED, REPRODUCED OR DISCLOSED TO ANYONE WITHOUT OUR APPROVAL.		DISegnATO DA / DRAWN BY: -
A1	ROLLER SHUTTER	ASSEM	ROLLER SHUTTER	FOUR ID SHEET 1 / 1
				BOS. N° DWG N°
				ROLLER SHUTTER