



BLIND HINGED DOOR

Product data sheet

General Information	
description	blind, double leaves, hinged door
type	A60DHB2
manufacturer	Blu Bud srl
Application	
fire properties	A60 Class fire resistant
certificates, approvals	RINA MED Module B Nr. MED181124CS
drawing number	A60DHB2
Size	
max horizontal clear opening (LNO)	2200 mm
max vertical clear opening (LNV)	2200 mm
horizontal cut in bulkhead (TPO)	LNO + 168 mm
vertical cut in bulkhead (TPV)	LNV + sill height + 84 mm
<i>All relevant sizes to height and width of the doors may be increased of 15% provided that the surface area is not increased of more than 10%.</i>	
sill	20 mm
Frame	
frame size	see dwg
frame thickness	5 mm
counter frame	welded
counter frame thickness	N.A.
materials	steel or stainless steel (ss)
finishing	raw, paint, brushed or polished (ss)
Leaf	
concept	sandwich
thickness	63 mm
core	double insulation layer
material of skins	steel or stainless steel (ss)
coating	raw, laminates, PVC, brushed or polished (ss)
leaf frame	paint, brushed or polished (ss)
Accessories	
standard	hinges
extra	peep hole, double windows, hose port, double lock
window size	300 mm (w) x 300 mm (h)
Mechanical and physical properties	

A60 hinged door type A60DHB1 rev01

BLU BUD SRL

info@blubud.it
www.blubud.it

Sede legale:

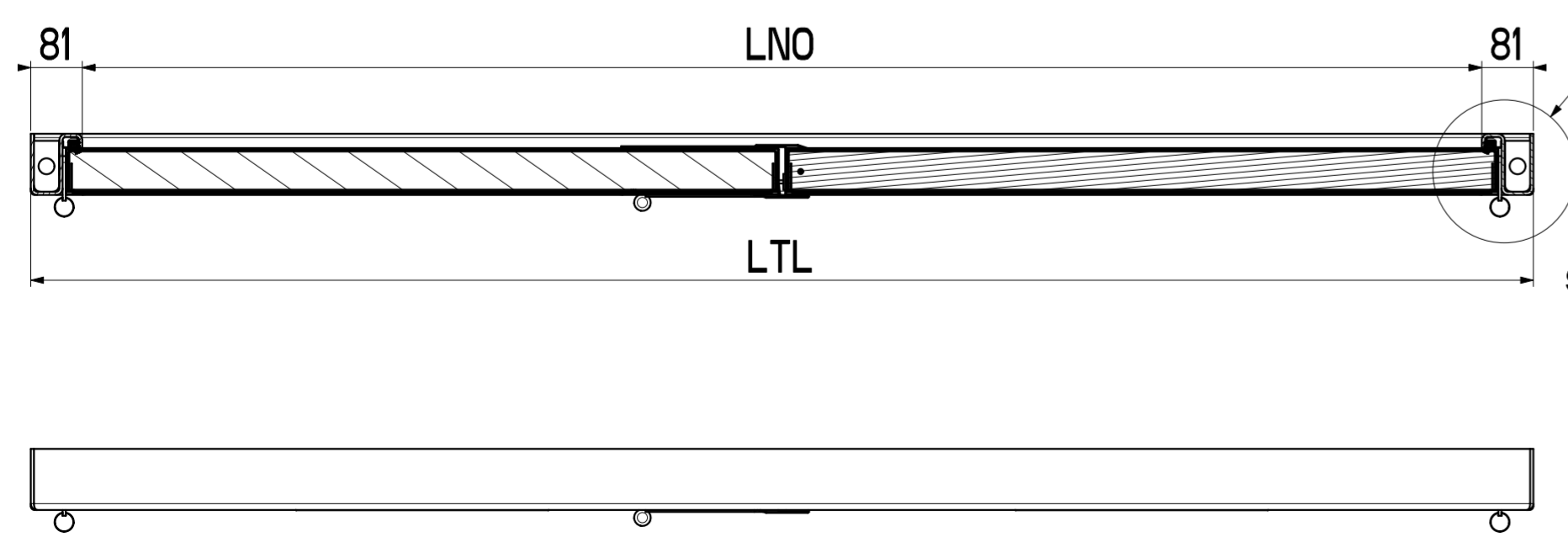
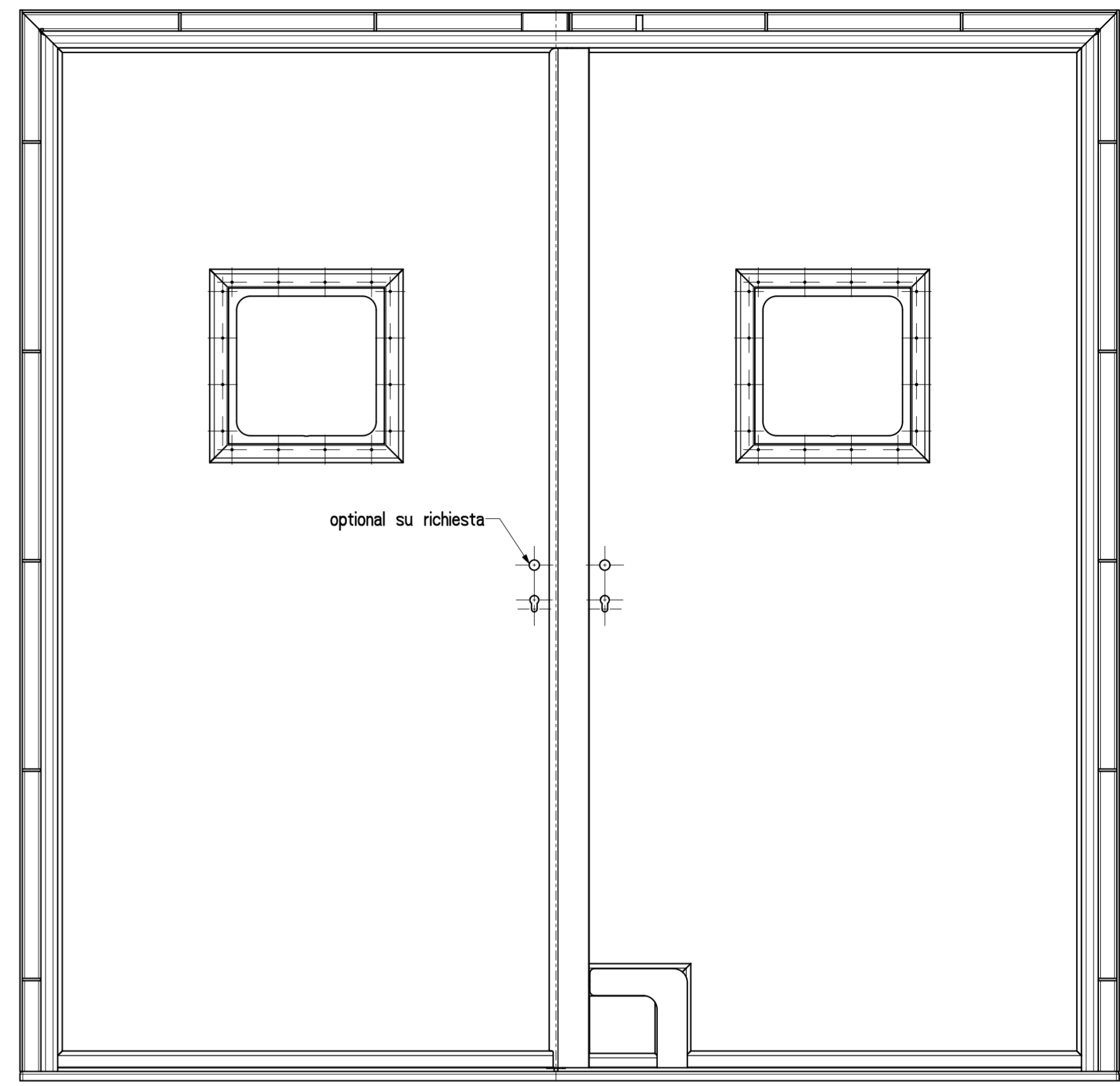
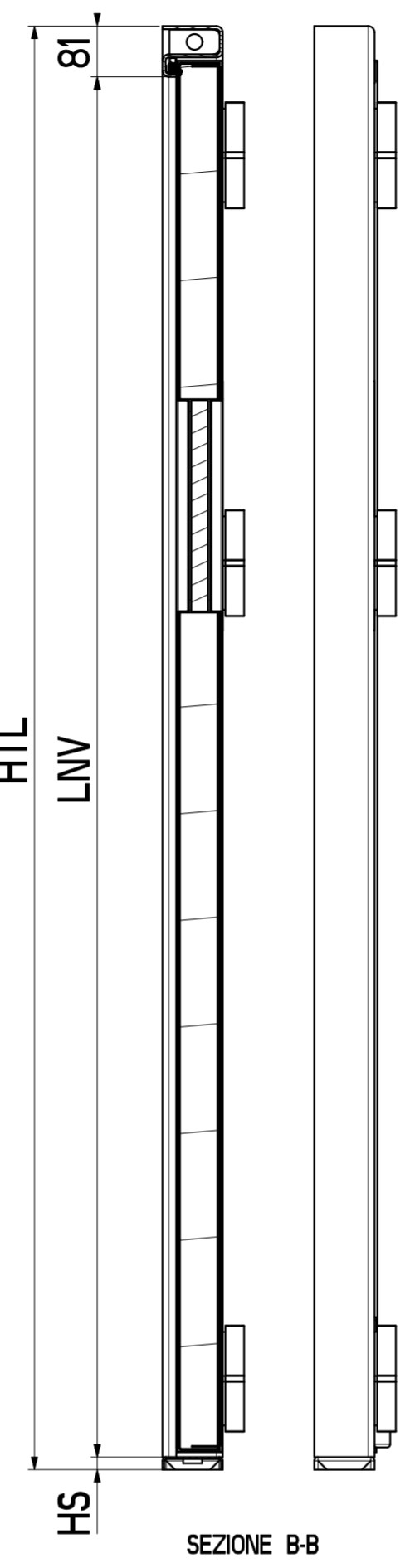
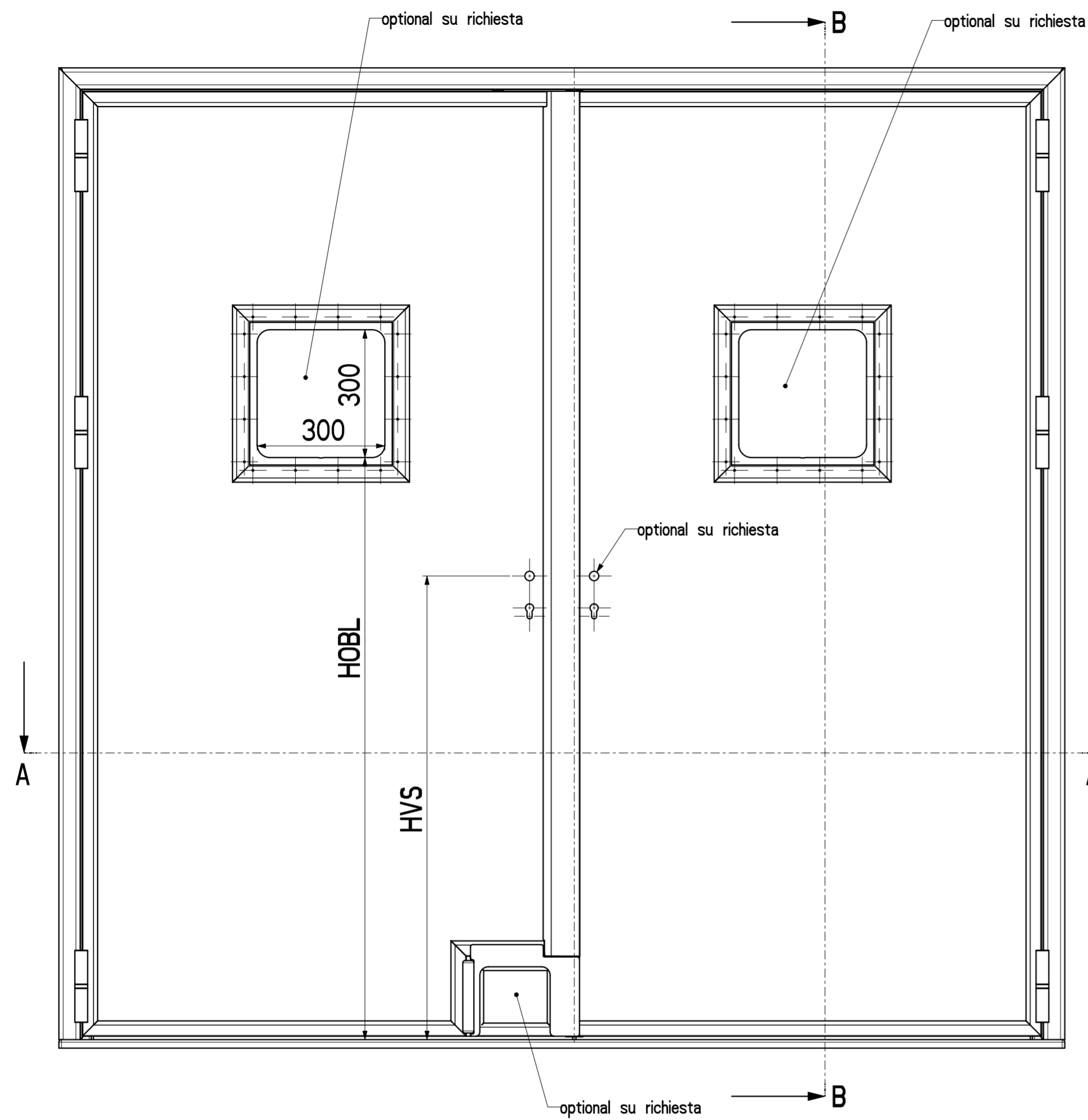
Via Corsica, 21/20
16128 Genova, Italia
c.f. e p.iva 01766240996
Reg. impr Genova REA 43442

Edilizia:

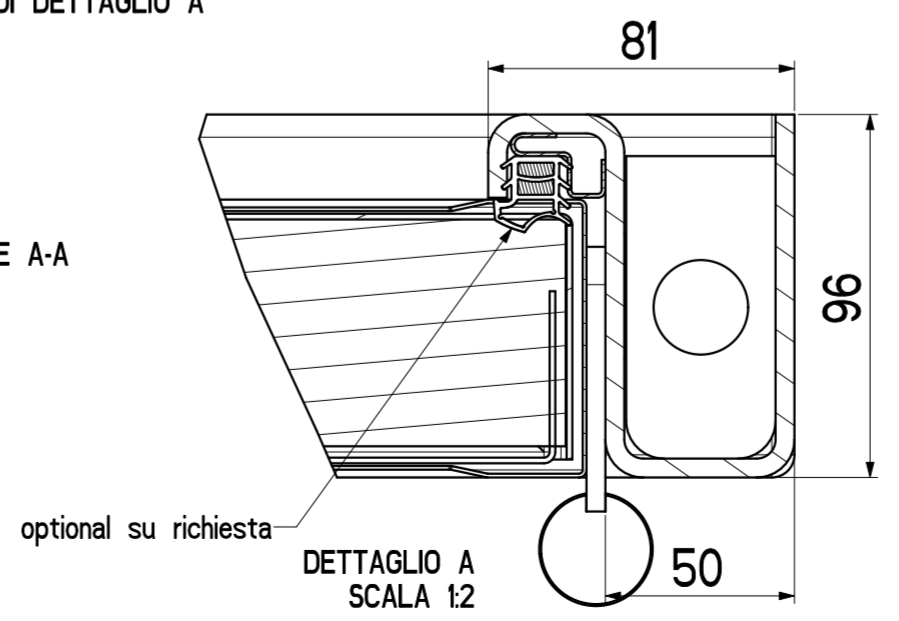
Via Ilva, 5/3
16128 Genova, Italia
t +39 010 86 01 379/618
f +39 010 81 83 053

Navi & Yacht:

Via Remis, 16
33050 San Vito al Torre
Udine - Italia
t +39 0432 1848198



VEDI DETTAGLIO A



0	-	EMISSIONE		
REV.	DATA / DATE	DESCRIZIONE DELLE MODIFICHE / DESCRIPTION OF ALTERATIONS	CONTROLLATO / CHECKED	MODIFICATO / REVISED
RIFERIMENTO / REFERENCE: BLU BLU DESCRIZIONE / DESCRIPTION: A60 HINGED DOOR DOUBLE LEAF - A60DHB2				
MATERIALE / MATERIAL * SPESSORE / THICKNESS *		BLUBUD SRL Operational office: via Ilya 5/3 16128 Genova - ITALY Tel +39. 010. 8601 379 Fax +39. 010. 8183 053 Registered office: via Fieschi 20/9 16121 Genova - ITALY E-MAIL: info@blubud.it WWW: http://www.blubud.it	SCALA / SCALE 1:10	DATA / DATE 25-Jul-24
NOTE / NOTES *		PESO NETTO kg / NET WEIGHT kg 0.000	CONTROLLATO DA / CHECKED BY -	DISEGNATO DA / DRAWN BY -
A2	A60DHB2	ASSEM	A60DHB2	QUESTO DISEGNO NON PUO' ESSERE USATO O RIPRODOTTO SENZA NOSTRA AUTORIZZAZIONE THIS DRAWING CANNOT BE COPIED, DUPLICATED OR DISCLOSED TO ANYONE WITHOUT OUR APPROVAL FOGLIO / SHEET 1 / 1 DIS. N° / DWG N° A60DHB2