

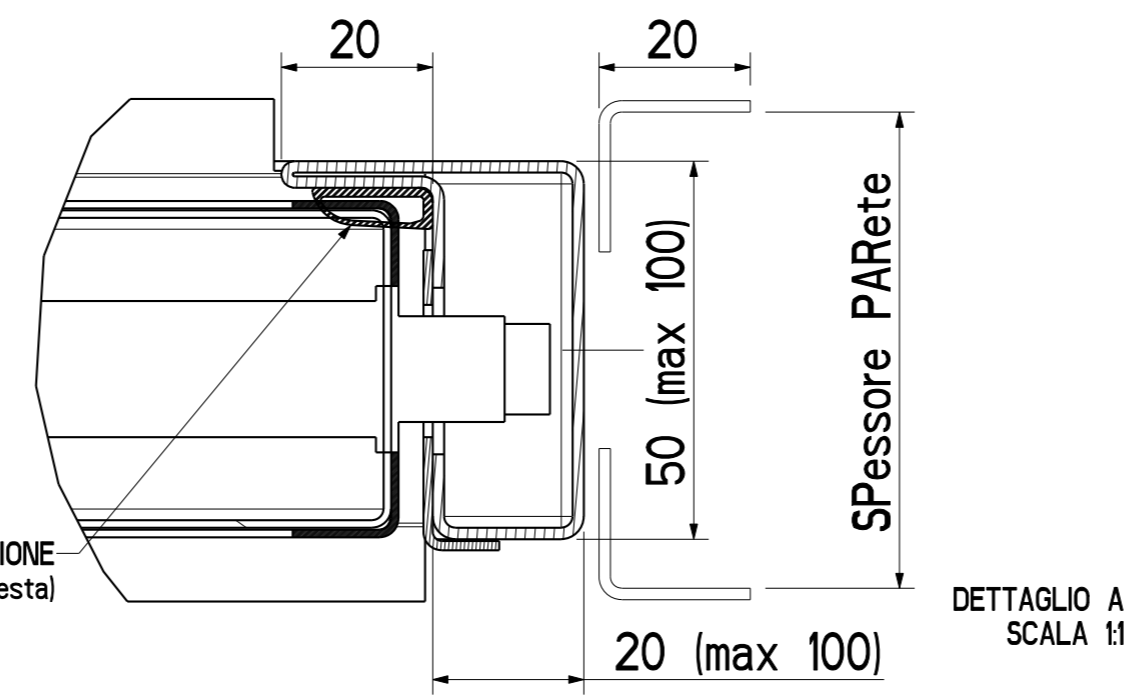
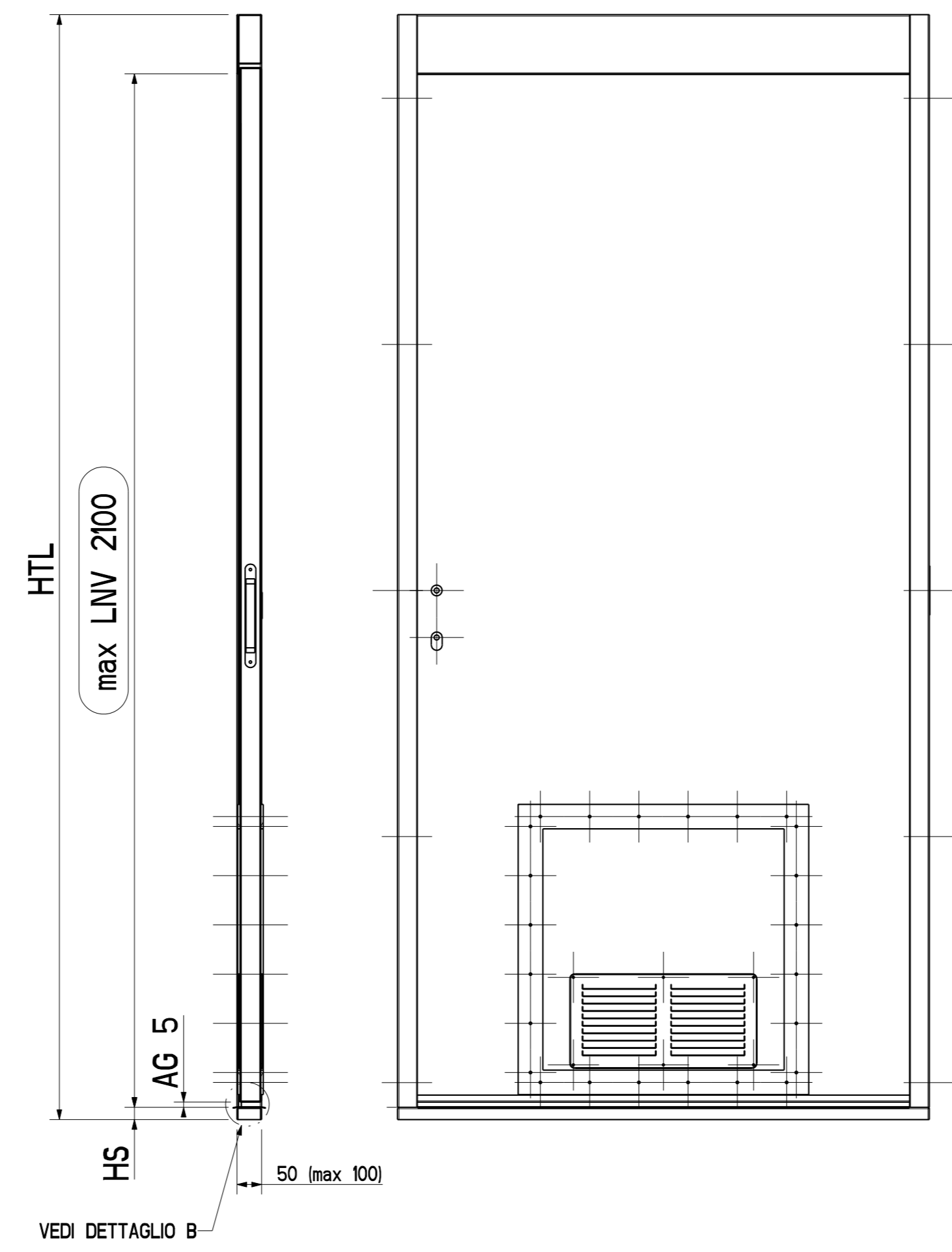
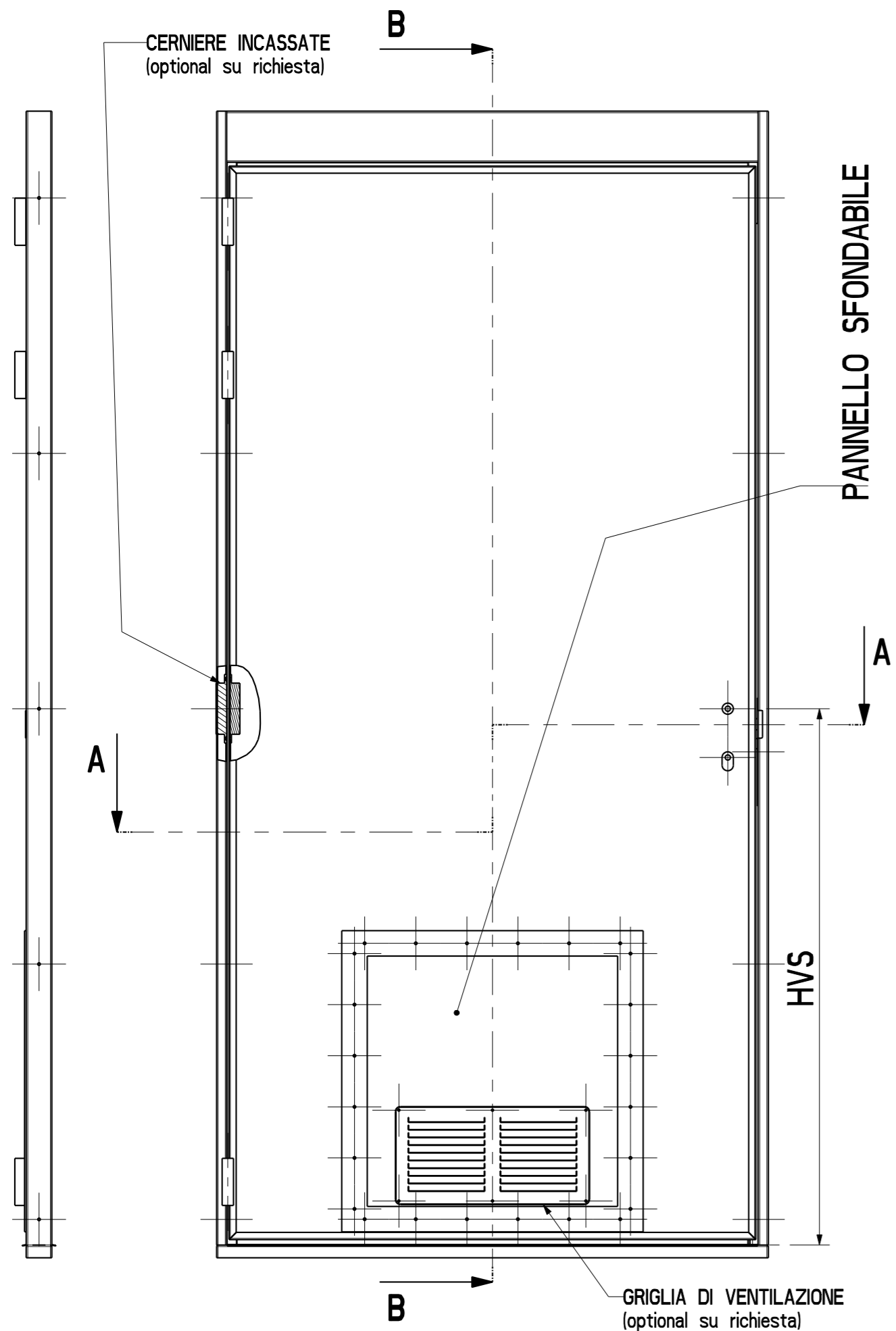


BLIND HINGED DOOR

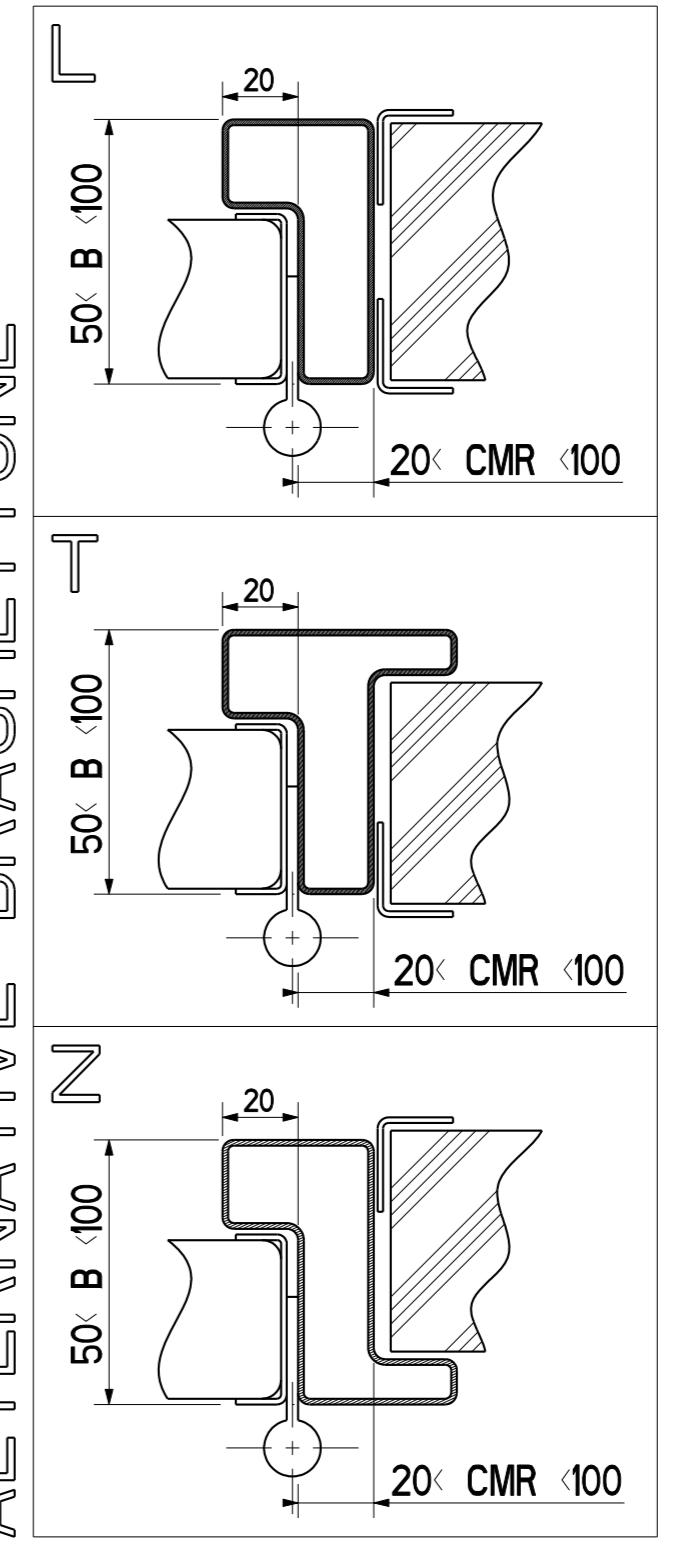
General Information	
description	blind, single leaf, hinged door with ESCAPE PANEL
type	B15DHB1G
manufacturer	Blu Bud srl
Application	
fire properties	B15 Class fire resistant
certificates, approvals	RINA MED Module B Nr. MED319216CS
drawing number	B15DHB1G
Size	
max horizontal clear opening (LNO)	1000 mm
max vertical clear opening (LNV)	2100 mm
horizontal cut in bulkhead (TPO)	LNO + 80 mm + 10 mm
vertical cut in bulkhead (TPV)	LNV + sill height + over door panel + 5 mm
standard sill	25 mm
Frame	
section shape	L or T or Z
section size	50x20 mm
thickness of steel	1,2mm
materials	steel or stainless steel (ss)
finishing	raw, paint, brushed or polished (ss)
counter frame thickness	0,8mm
Leaf	
concept	sandwich
thickness	40mm
core	one layer of mineral wool
material of skins	steel or stainless steel (ss)
coating	raw, laminates, PVC, brushed or polished (ss)
leaf frame	paint, brushed or polished (ss)
Accessories	
standard	hinges, lockcase, caps, sill cover, escape panel
extra	lockset, door stopper, gaskets , ventilation grill
ventilation grill size	380mm (w) x 190mm (h)
Mechanical and physical properties	
noise reduction	n.a.

Product data sheet

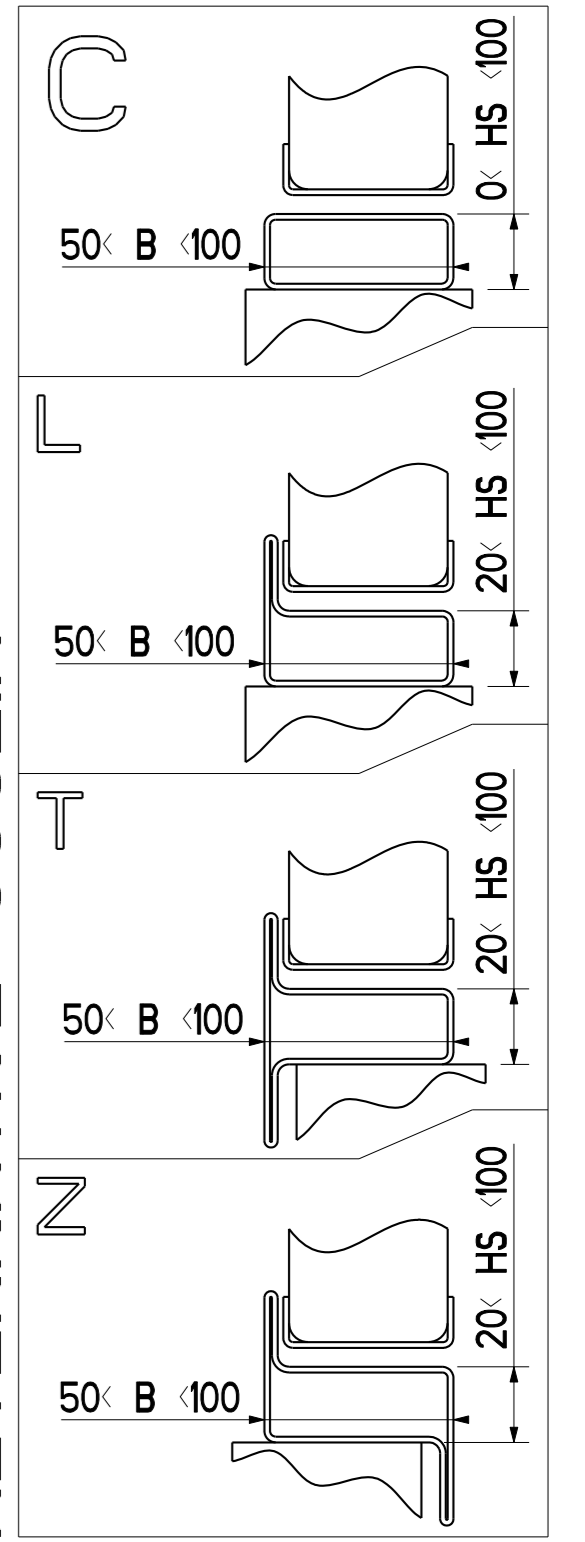
B15_hinged_door_type_B15DHB1G



ALTERNATIVE BRAGHETTONE



ALTERNATIVE SOGLIA



0	-	EMISSIONE		
REV.	DATA / DATE	DESCRIZIONE DELLE MODIFICHE / DESCRIPTION OF ALTERATIONS	CONTROLLATO / CHECKED	MODIFICATO / REVISED
RIFERIMENTO / REFERENCE: BLU BUD DESCRIZIONE / DESCRIPTION: B15 BLIND HINGED DOOR WITH ESCAPE - B15DHBIG				
MATERIALE / MATERIAL: * SPESORE / THICKNESS: *		BLUBUD SRL Operational office: via Ilya 5/3 16128 Genova - ITALY Tel. +39. 010. 8601 379 Fax +39. 010. 8163 053 Registered office: via Fieschi 20/9 16121 Genova - ITALY E-MAIL: info@blubud.it WWW: http://www.blubud.it		SCALA / SCALE: 1:10 DATA / DATE: 11-May-20
NOTE / NOTES: XXXX		PESO NETTO kg / NET WEIGHT kg: 0.000		CONTROLLATO DA / CHECKED BY: * DISEGNATO DA / DRAWN BY: *
A2		BECHING ASSEM BECHING		FOGLIO / SHEET: 1 / 1 DIS. N°: * DINO N°: B15DHBIG
QUESTO DISEGNO NON PUO' ESSERE USATO O RIPRODOTTO SENZA NOSTRA AUTORIZZAZIONE. THIS DRAWING CANNOT BE COPIED, DUPLICATED OR DISCLOSED TO ANYONE WITHOUT OUR APPROVAL.				