



# BLIND HINGED DOOR

Product data sheet

General Information	
description	blind, single leaf, hinged door for YACHT
type	B15DHB1Y
manufacturer	Blu Bud srl
Application	
fire properties	B15 Class fire resistant
certificates, approvals	RINA MED Module B Nr. MED080914CS/001
drawing number	B15DHB1Y
Size	
max horizontal clear opening (LNO)	1000 mm
max vertical clear opening (LNV)	2100 mm
horizontal cut in bulkhead (TPO)	LNO + 80 mm + 10 mm
vertical cut in bulkhead (TPV)	LNV + sill height + over door panel + 5 mm
sill	25 mm
Frame	
section shape	L or T or Z
section size	50x20 mm
thickness of steel	1,2mm
materials	steel or stainless steel (ss)
finishing	raw, paint, brushed or polished (ss)
counter frame thickness	0,8mm
Leaf	
concept	sandwich
thickness	40mm
core	one layer of mineral wool
material of skins	steel or stainless steel (ss)
coating	raw, laminates, PVC, brushed or polished (ss)
leaf frame	paint, brushed or polished (ss)
Accessories	
standard	hinges, lockcase, caps, sill cover
extra	Full automation, <b>concealed hinges type SW TE 526 3D</b> , <b>concealed door closer</b> , door stopper, <b>gaskets</b> , window, ventilation grill
window size	310mm (w) x 310mm (h)
ventilation grill size	380mm (w) x 190mm (h)
Mechanical and physical properties	

B15 hinged door type B15DHB1Y rev01

BLU BUD SRL

info@blubud.it  
www.blubud.it

Sede legale:

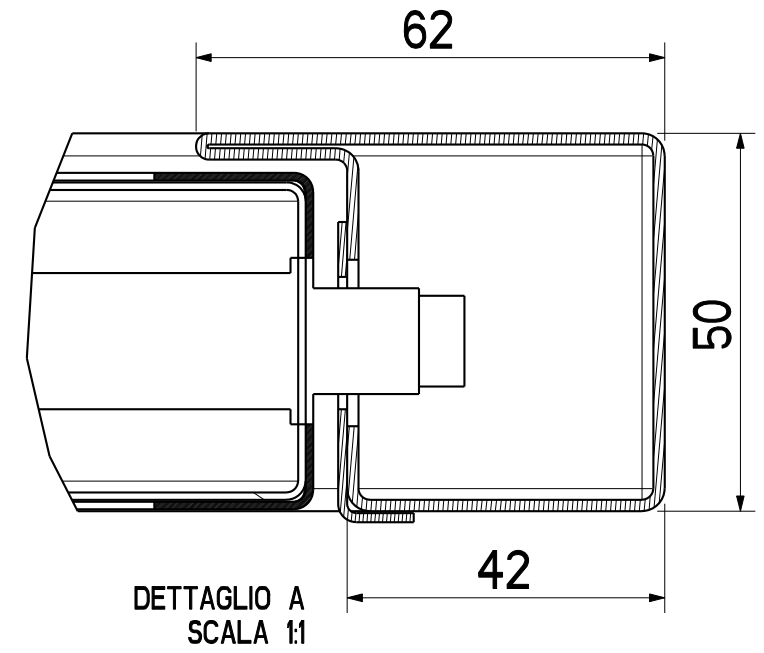
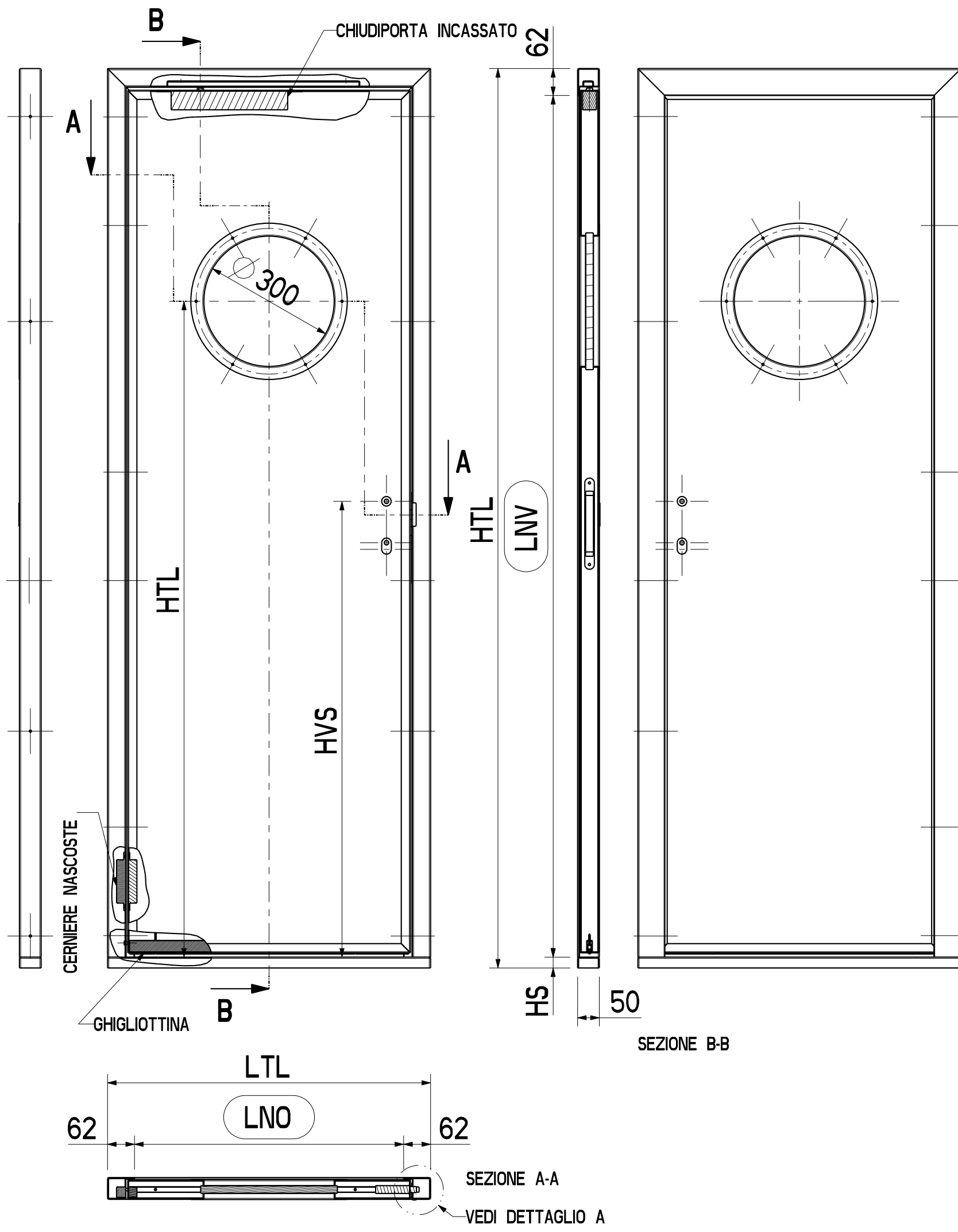
Via Corsica, 21/20  
16128 Genova, Italia  
c.f. e p.iva 01766240996  
Reg. impr Genova REA 43442

Edilizia:

Via Ilva, 5/3  
16128 Genova, Italia  
t +39 010 86 01 379/618  
f +39 010 81 83 053

Navi &amp; Yacht:

Via Remis, 16  
33050 San Vito al Torre  
Udine - Italia  
t +39 0432 1848198



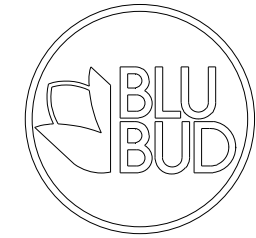
0	-	EMISSIONE		
REV.	DATA / DATE	DESCRIZIONE DELLE MODIFICHE / DESCRIPTION OF ALTERATIONS	CONTROLLATO CHECKED	MODIFICATO REVISED

RIFERIMENTO  
REFERENCE **BLU BUD**

DESCRIZIONE  
DESCRIPTION **PORTA B15DHB1Y**

MATERIALE MATERIAL	
SPESSORE THICKNESS	
	PESO NETTO kg NET WEIGHT kg
	0.000

NOTE  
NOTES 35



**BLUBUD SRL**  
Operational office:  
via Iva 5/3  
16128 Genova - ITALY  
Tel +39. 010. 8601 379  
Fax +39. 010. 8183 053  
  
Registered office:  
via Fieschi 20/9  
16121 Genova - ITALY  
  
E-MAIL: info@blubud.it  
WWW: http://www.blubud.it

SCALA SCALE	DATA DATE
1:10	08-May-20
CONTROLLATO DA CHECKED BY	DESEGNATO DA DRAWN BY
-	-

A3	B15DHB1Y	ASSEM	B15DHB1Y
----	----------	-------	----------

QUESTO DISEGNO NON PUO' ESSERE USATO O RIPRODOTTO SENZA NOSTRA AUTORIZZAZIONE  
THIS DRAWING CANNOT BE COPIED, DUPLICATED OR DISCLOSED TO ANYONE WITHOUT OUR APPROVAL

FOGLIO  
SHEET 1 / 1  
DIS. N°  
DWG N° **B15DHB1Y**