

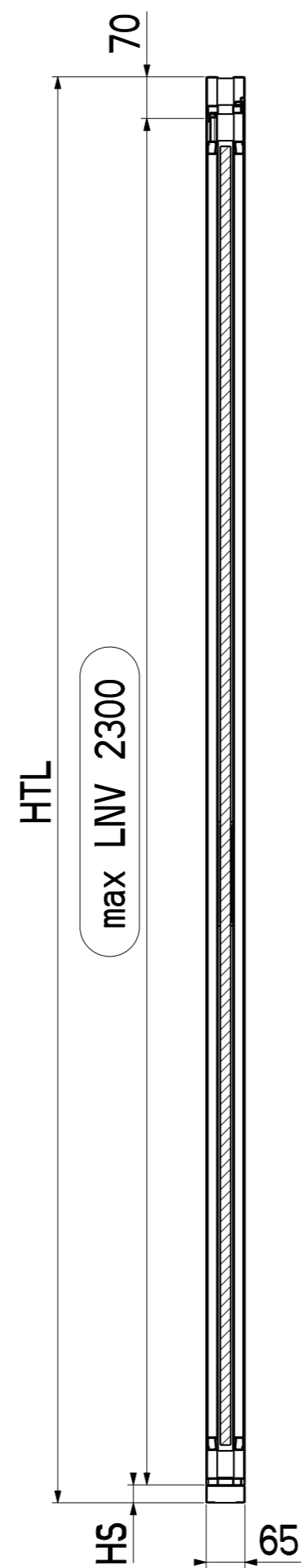
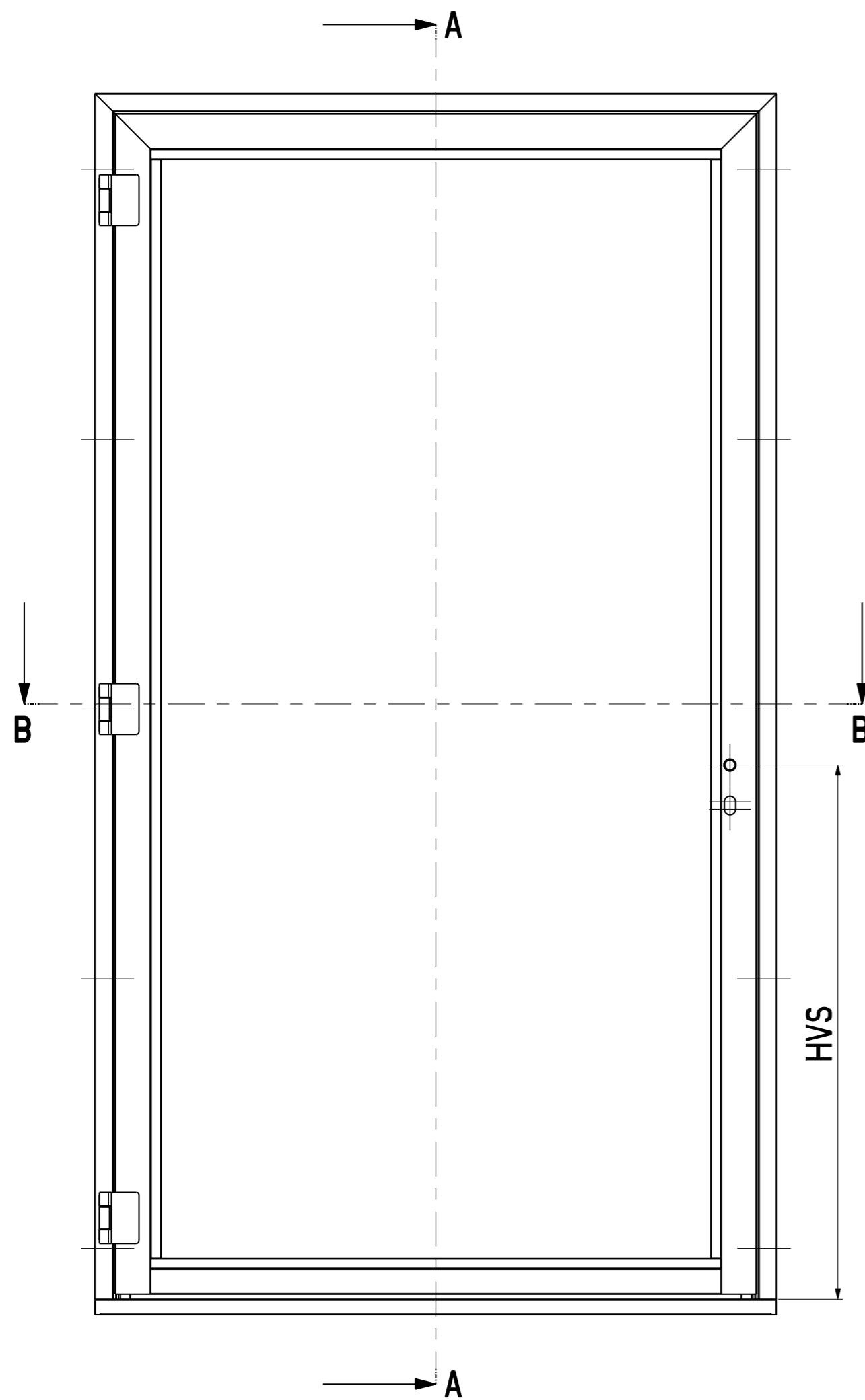


## GLAZED HINGED DOOR

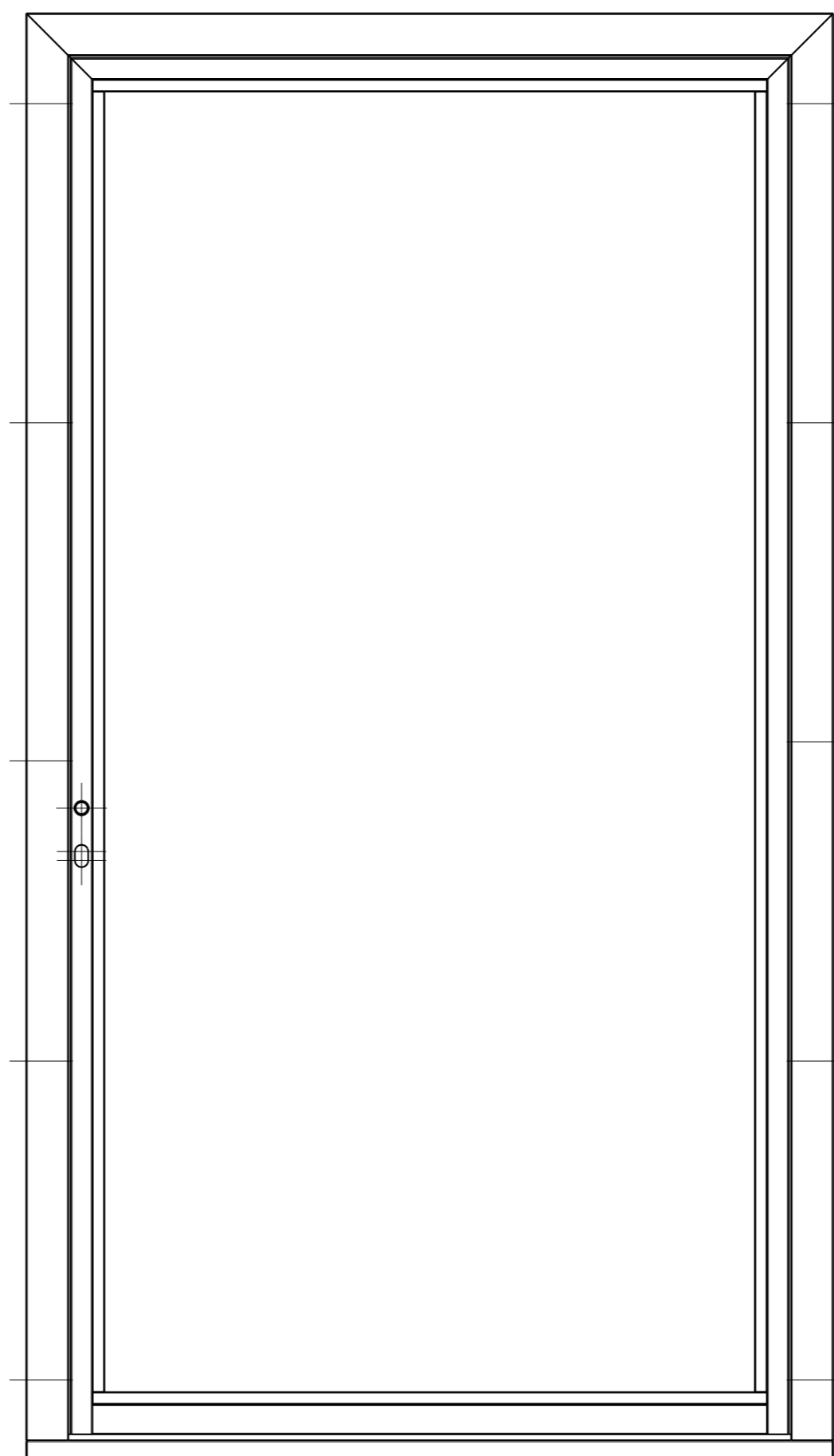
General Information	
description	glazed, single leaf, hinged door
type	B15DHG1//B15DGH1A
manufacturer	Blu Bud srl
Application	
fire properties	B15 Class fire resistant
certificates, approvals	RINA MED Module B Nr. MED264319CS/001
drawing number	B15DHG1, B15DGH1A
Size	
max horizontal clear opening (LNO)	1200 mm
max vertical clear opening (LNV)	2300 mm
horizontal cut in bulkhead (TPO)	LNO + 140 mm + 10 mm
vertical cut in bulkhead (TPV)	LNV + sill + 70 mm + 10 mm
<i>All relevant sizes to height and width of the doors may be increased of 15% provided that the surface area is not increased of more than 10%.</i>	
sill	25 mm
Frame	
section shape	L or T or Z
section size	see dwg
thickness of steel	1,5 mm
materials	steel
finishing	raw, paint, brushed or polished (ss), diprint, stainless steel
counter frame thickness	1,5 mm
Leaf	
glass	PYROBEL
thickness minimum of glass	17 +/- 1 mm
thickness of door leaf	65 mm
Accessories	
standard	hinges, lockcase, caps, sill cover
extra	Full automation, lockset, door closer, door stopper, gaskets
decoration	custom request
Mechanical and physical properties	
noise reduction	n.a.

Product data sheet

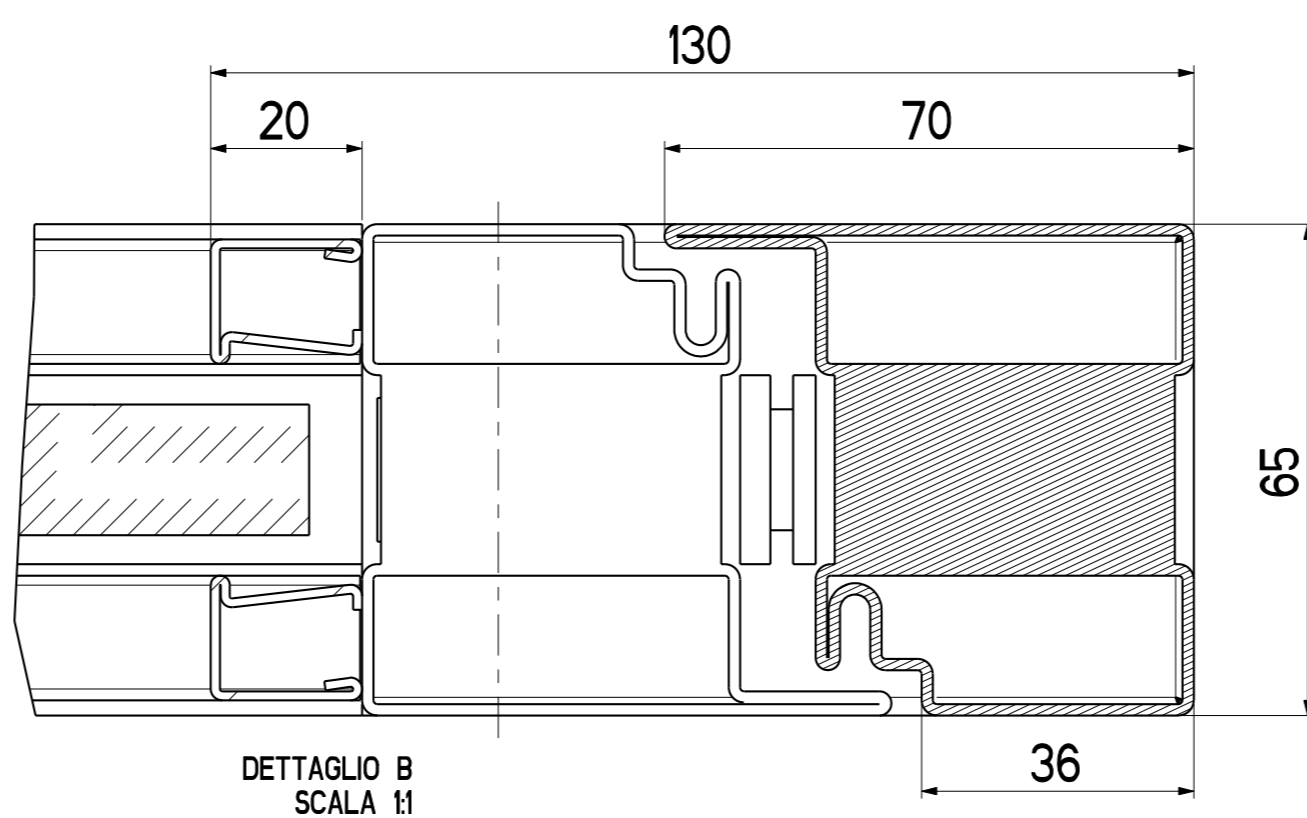
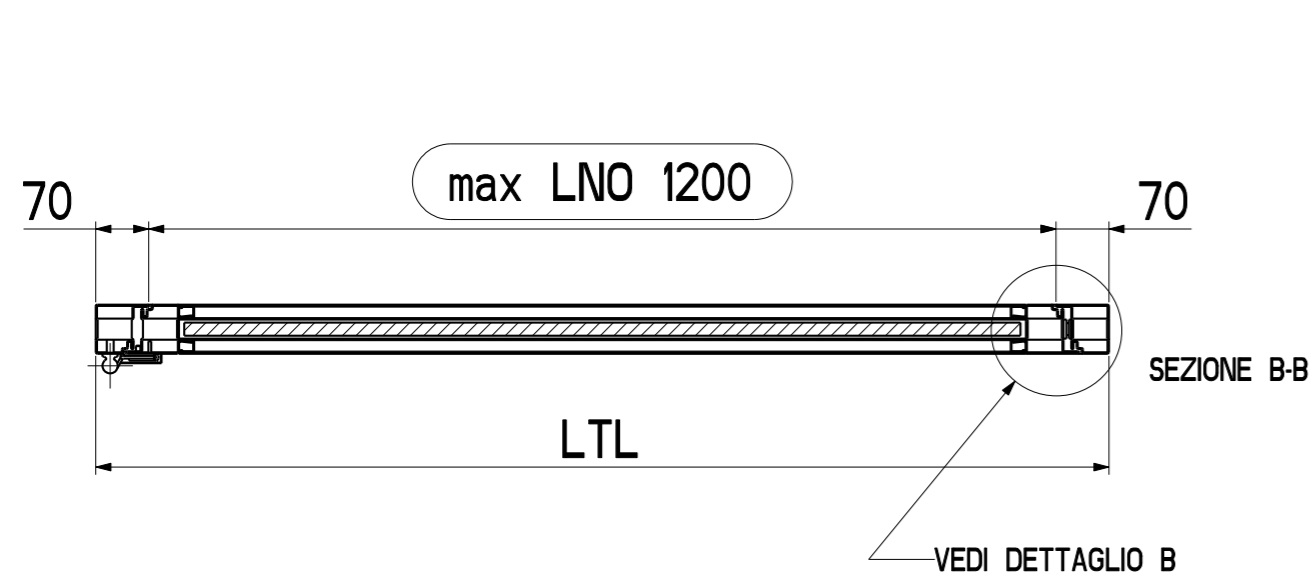
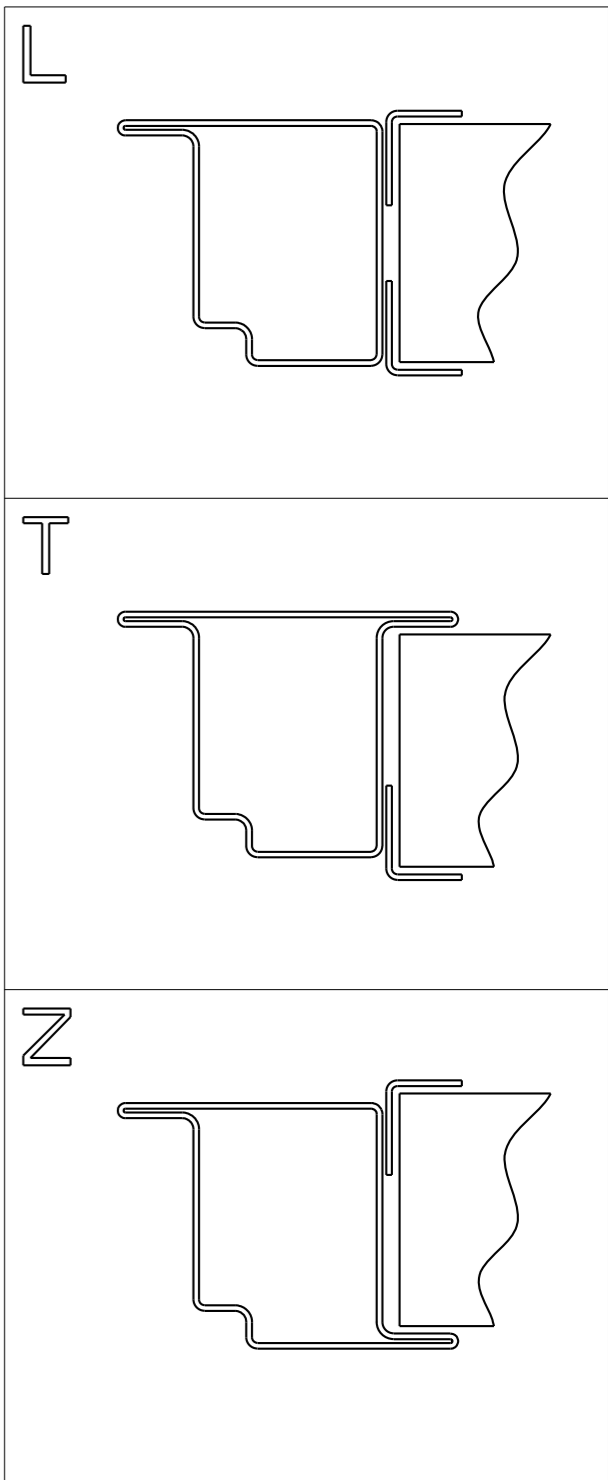
B15\_glazed\_hinged\_door\_B15DHG1




SEZIONE A-A

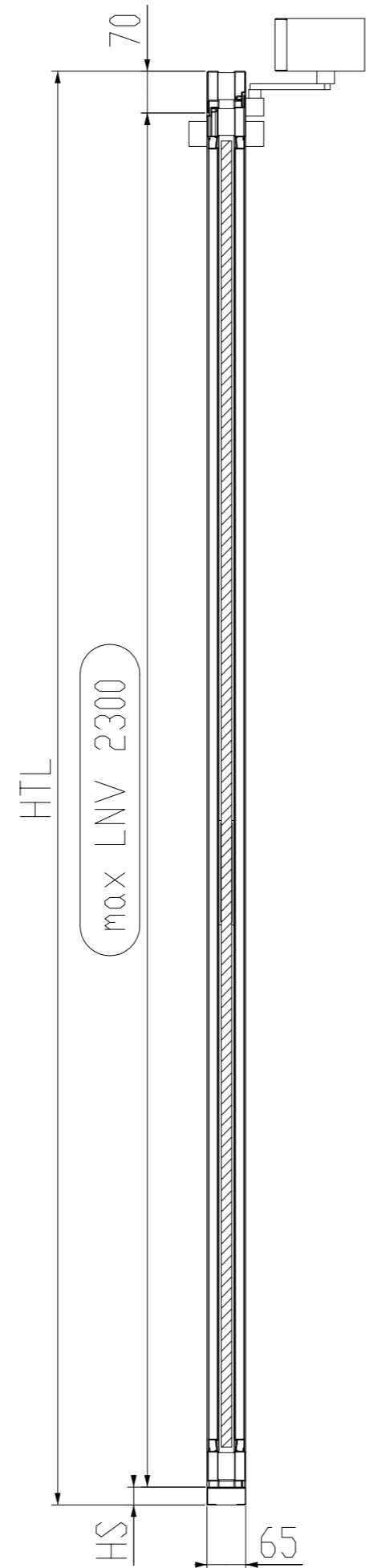
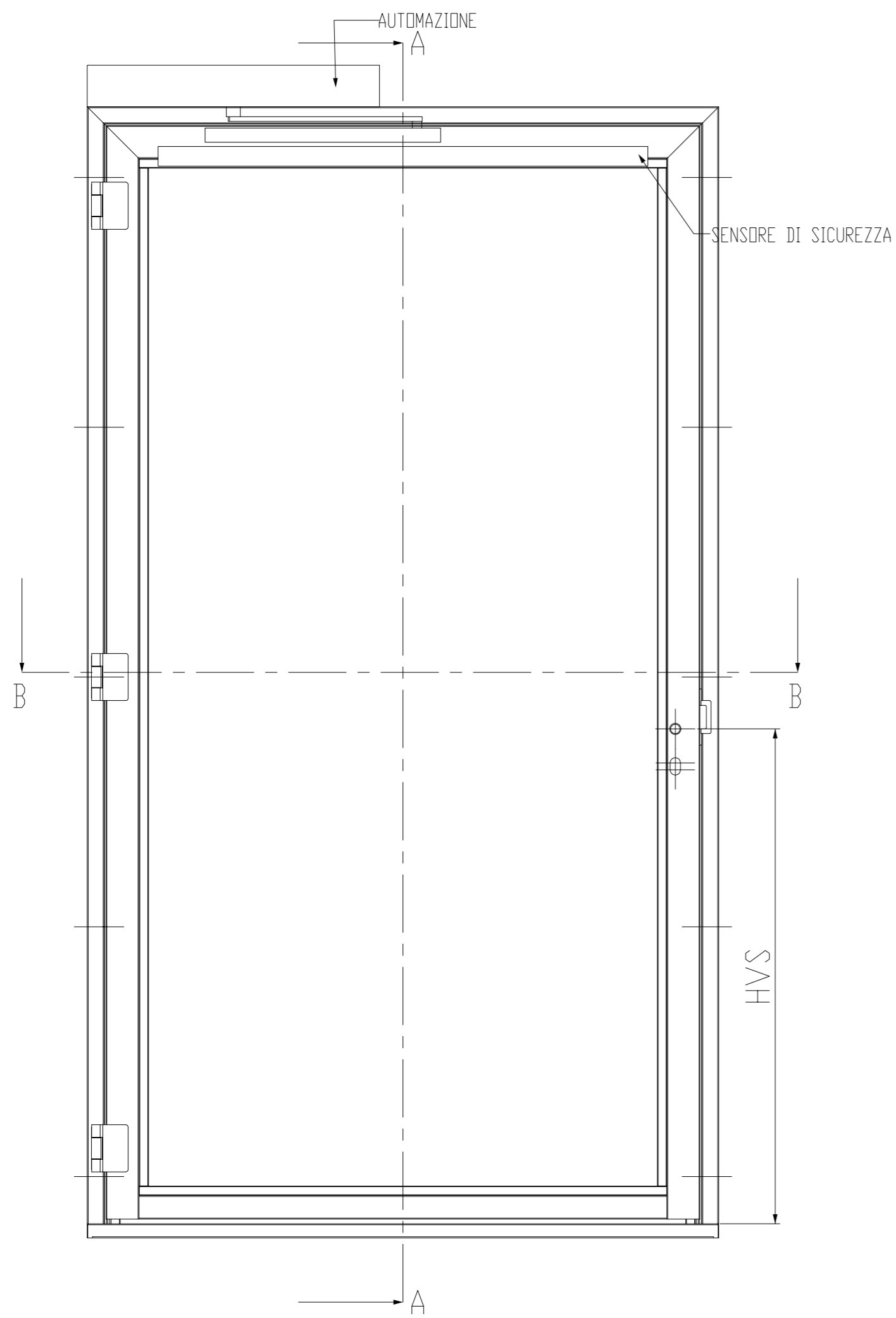


ALTERNATIVE BRAGHETTONE

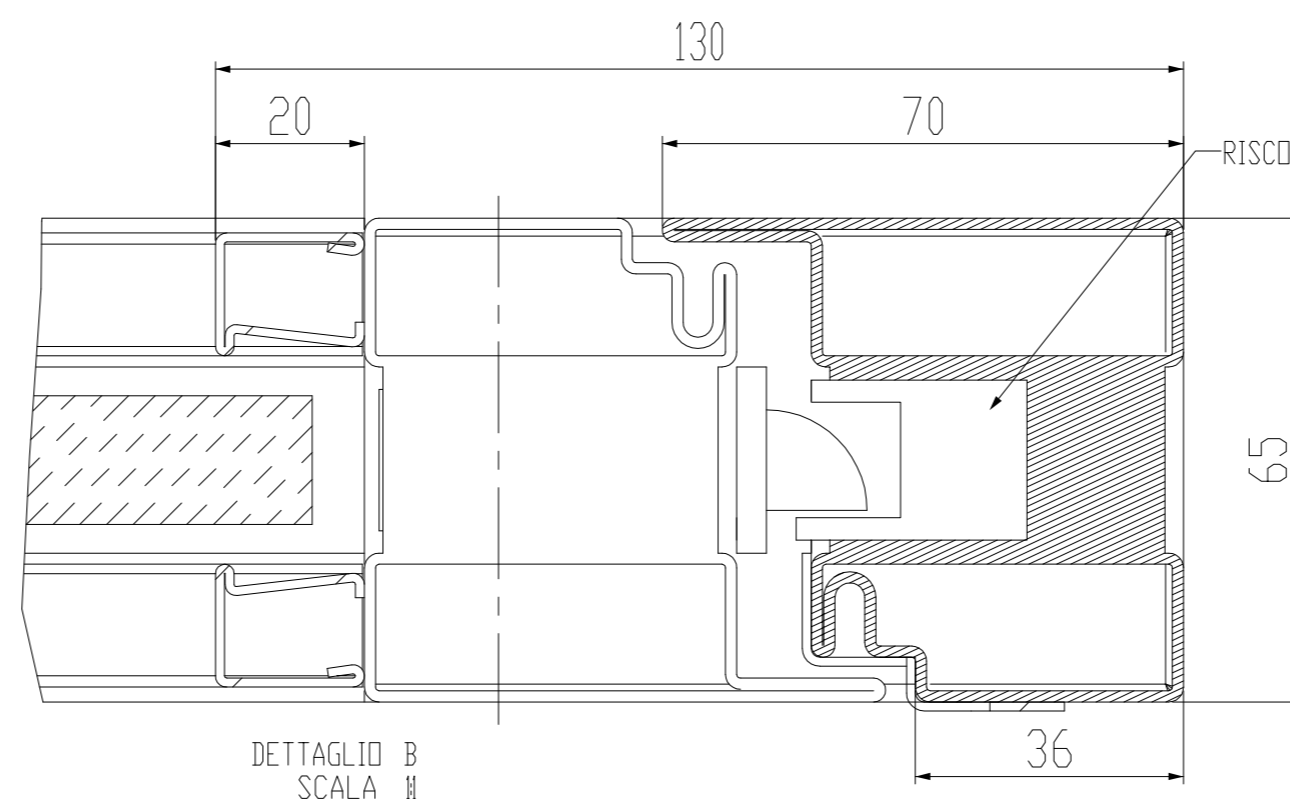
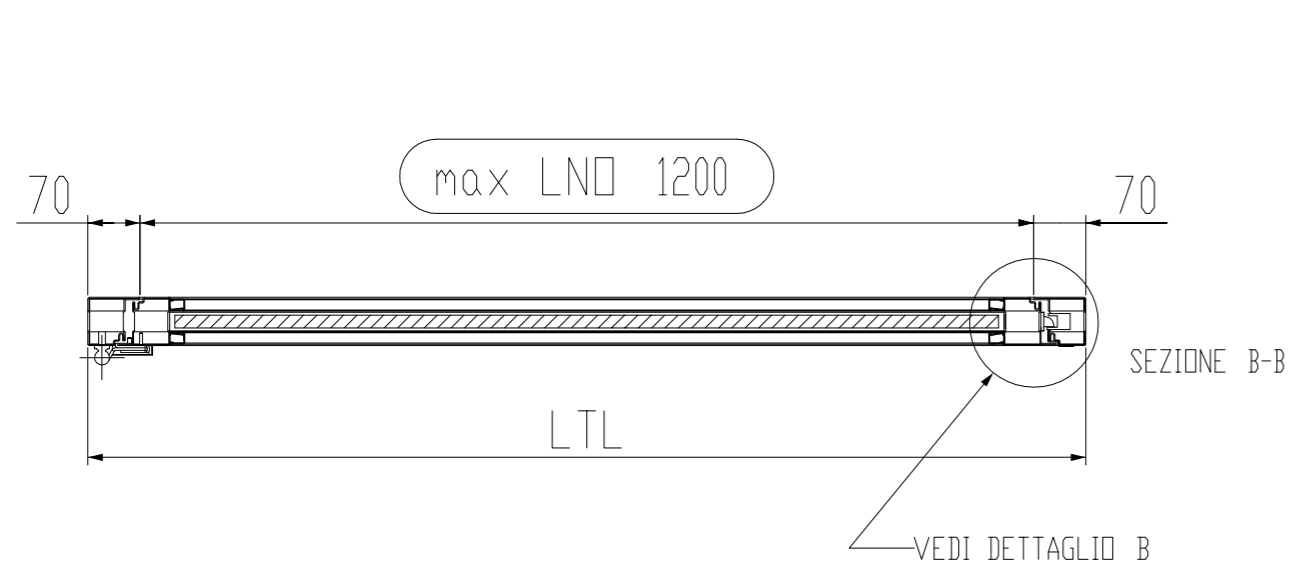
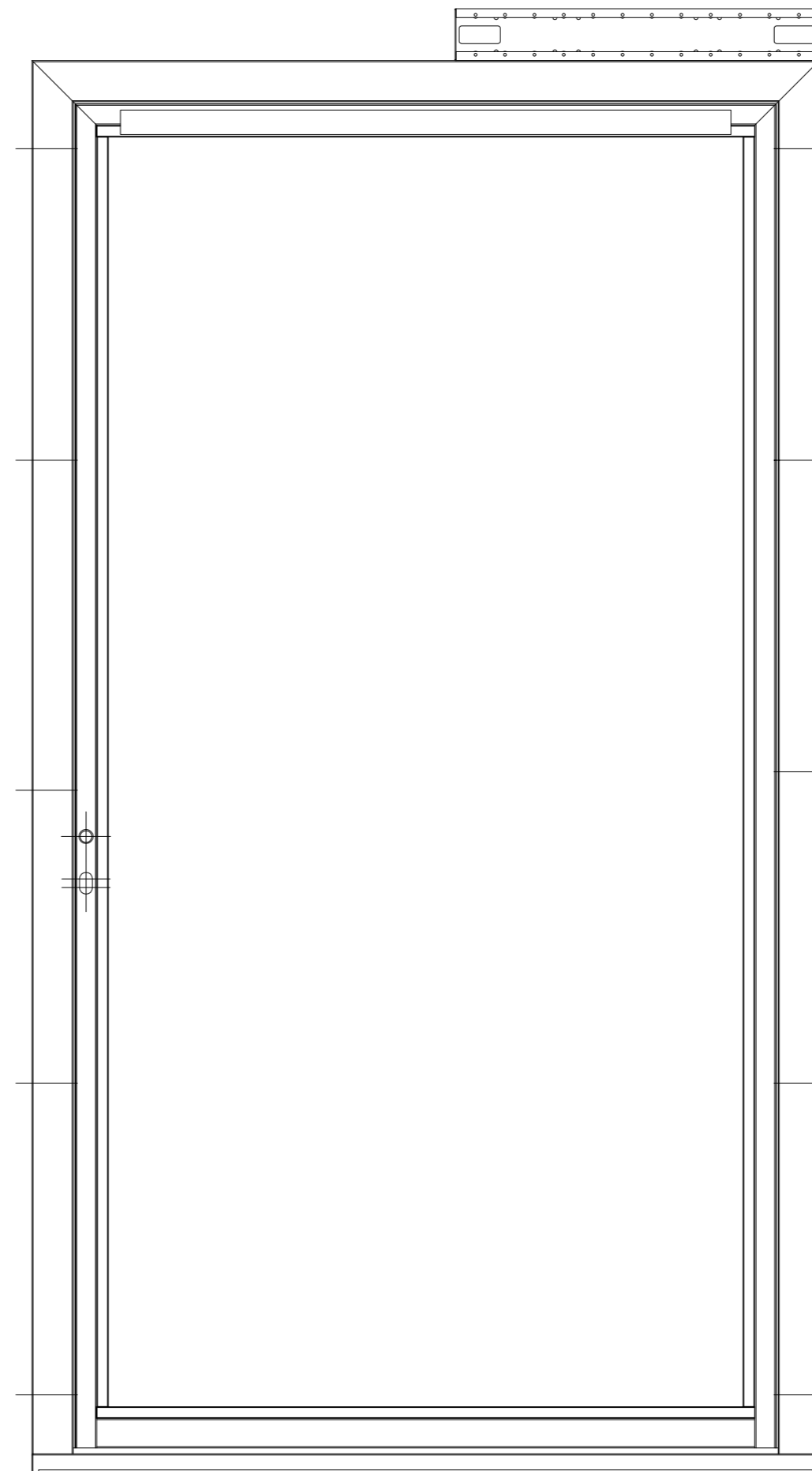


DETTAGLIO B  
SCALA 1:1

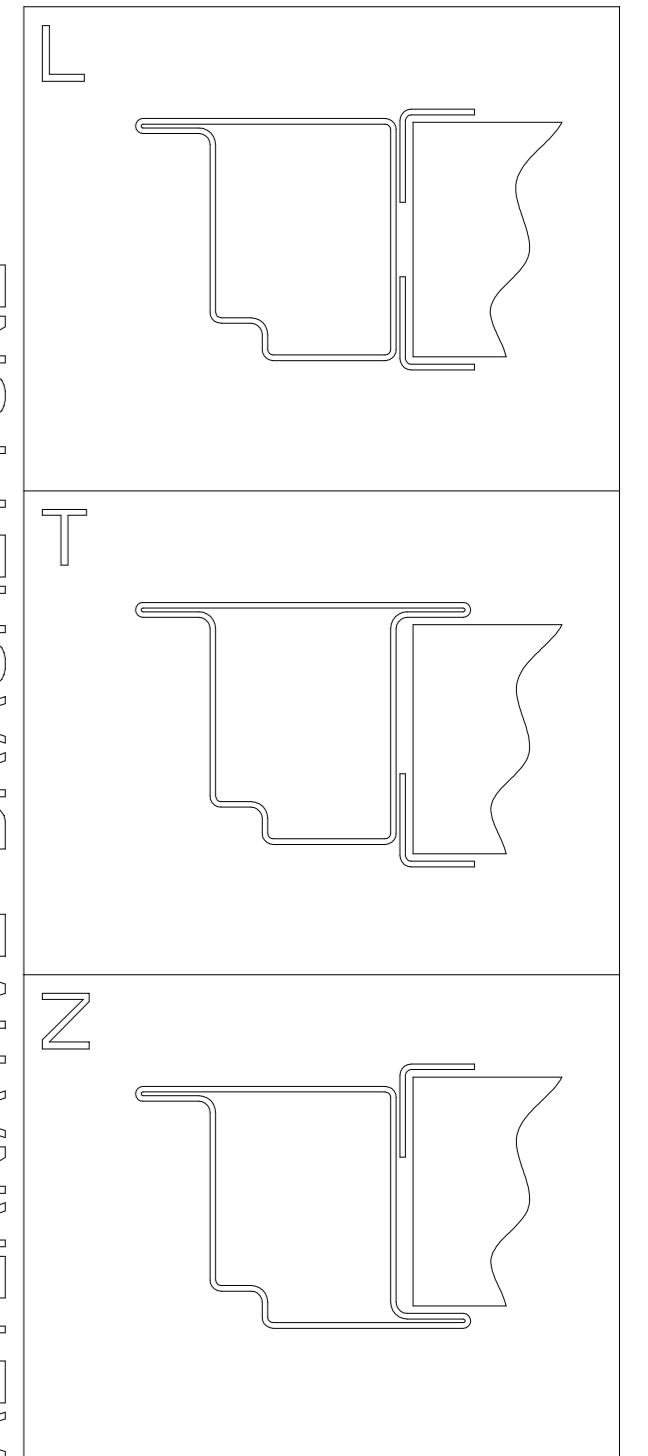
0	-	EMISSIONE		
REV.	DATA / DATE	DESCRIZIONE DELLE MODIFICHE / DESCRIPTION OF ALTERATIONS	CONTROLLATO / CHECKED	MODIFICATO / REVISED
RIFERIMENTO / REFERENCE: <b>BLU BUD</b> DESCRIZIONE / DESCRIPTION: <b>B15 GLAZED HINGED DOOR - B15DHG1</b>				
MATERIALE / MATERIAL * SPESSORE / THICKNESS *		 BLUBUD SRL Operational office: via Ilya 5/3 16128 Genova - ITALY Tel. +39. 010. 8601 379 Fax +39. 010. 8183 053 Registered office: via Fieschi 20/9 16121 Genova - ITALY E-MAIL: info@blubud.it WWW: http://www.blubud.it	SCALA / SCALE <b>1:10</b>	DATA / DATE <b>11-Jun-20</b>
NOTE / NOTES XXXX			CONTROLLATO DA / CHECKED BY -	DISEGNATO DA / DRAWN BY <b>L. Bensi</b>
<b>A2</b>	B15DHG1	ASSEM	B15DHG1	FOGLIO / SHEET <b>1 / 1</b> DIS. N° <b>B15DHG1</b> <small>QUESTO DISEGNO NON PUO' ESSERE USATO O RIPRODOTTO SENZA NOSTRA AUTORIZZAZIONE. THIS DRAWING CANNOT BE COPIED, DUPLICATED OR DISCLOSED TO ANYONE WITHOUT OUR APPROVAL.</small>



SEZIONE A-A

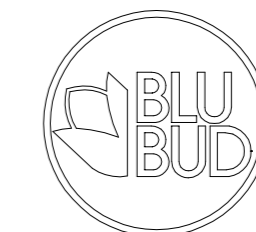


ALTERNATIVE BRAGHETTORE



ACCESSORI AUTOMAZIONE: RADAR, PULSANTI, SELETTORE DI FUNZIONI, BATTERIA INTERNA O ESTERNA

0	-	EMISSIONE		
REV.	DATA / DATE	DESCRIZIONE DELLE MODIFICHE / DESCRIPTION OF ALTERATIONS	CONTROLLATO / CHECKED	MODIFICATO / REVISED
RIFERIMENTO / REFERENCE: BLU BUD				
DESCRIZIONE / DESCRIPTION: B15 GLAZED HINGED DOOR AUTOMATIC - B15DHG1A				
MATERIALE / MATERIAL	BLUBUD SRL		SCALA / SCALE	DATA / DATE
SPESORE / THICKNESS	Operational office: via Ivo S/3 16128 Genova - ITALY Tel +39. 010. 8601 379 Fax +39. 010. 8183 053		1:10	25-Aug-20
	PESO NETTO kg / NET WEIGHT kg	Registered office: via Fieschi 20/9 16121 Genova - ITALY	CONTROLLATO DA / CHECKED BY	DISegnATO DA / DRAWN BY
	0,000		-	-
NOTE / NOTES	E-MAIL: info@blubud.it WWW: http://www.blubudit.it		FOGLIO / SHEET	1 / 1
A2	B15DHG1A	ASSEM	DIS. N° / DWG N°: B15DHG1A	



QUESTO DISEGNO NON PUO' ESSERE USATO O RIPRODOTTO SENZA NOSTRA AUTORIZZAZIONE / THIS DRAWING CANNOT BE COPIED, DUPLICATED OR DISCLOSED TO ANYONE WITHOUT OUR APPROVAL.