



Datasheet n. 047

B15 - RINA MED

BLIND SLIDING DOOR

General Information	
description	blind, single leaf, manual or automatic sliding door
type	B15DSB1 // B15DSB1A
manufacturer	Blu Bud srl
Application	
fire properties	B15 Class fire resistant with fire hazard on the opposite side of the suspension trolleys
certificates, approvals	RINA MED Module B Nr. MED304320CS/002
drawing number	B15DSB1, B15DSB1A
Size	
max horizontal clear opening (LNO)	1300 mm
max vertical clear opening (LNV)	2200 mm
horizontal cut in bulkhead (TFO)	LNO + 185 mm + 5 mm
vertical cut in bulkhead (TFV)	LNV + sill height + over door panel + 5 mm
sill	15mm
Frame	
section shape	see dwg
section size	see dwg
thickness of steel	1,2mm
materials	steel or stainless steel (ss)
finishing	raw, paint, brushed or polished (ss)
counter frame thickness	0,8mm
Leaf	
concept	sandwich
thickness	40mm
core	mineral wool and calcium silicate
material of skins	steel or stainless steel (ss)
coating	raw, laminates, PVC, brushed or polished (ss)
leaf frame	paint, brushed or polished (ss)
Accessories	
standard	handle, sill cover,
extra	lock, automation device and onboard installation
Mechanical and physical properties	
noise reduction	n.a.

Product data sheet

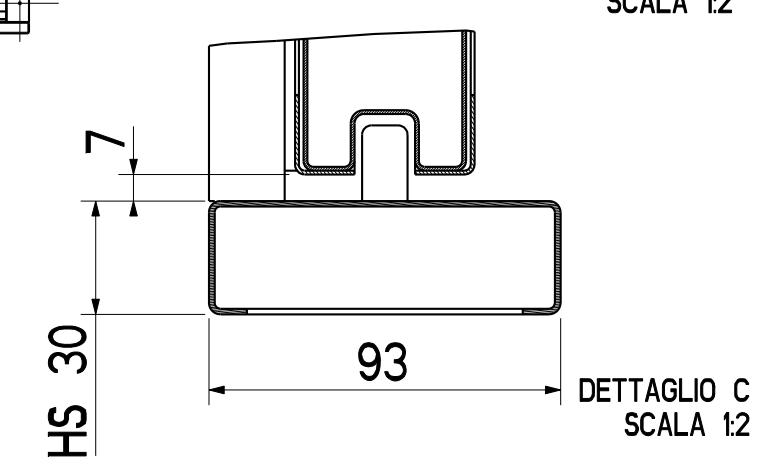
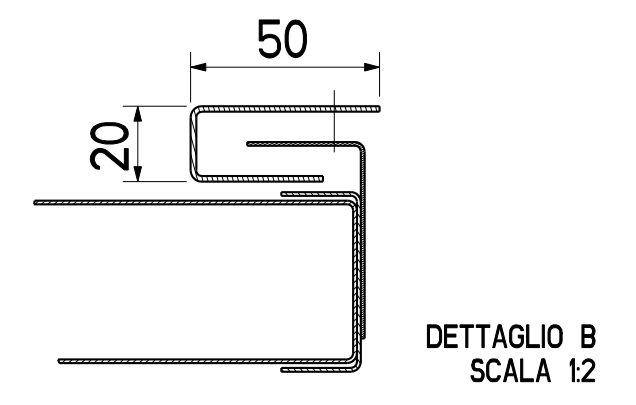
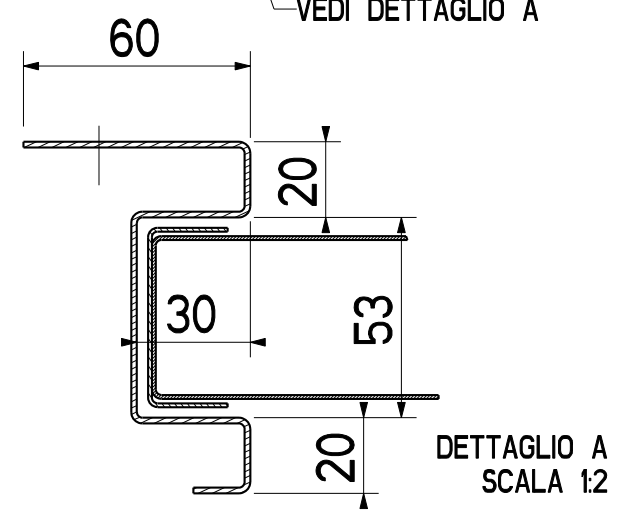
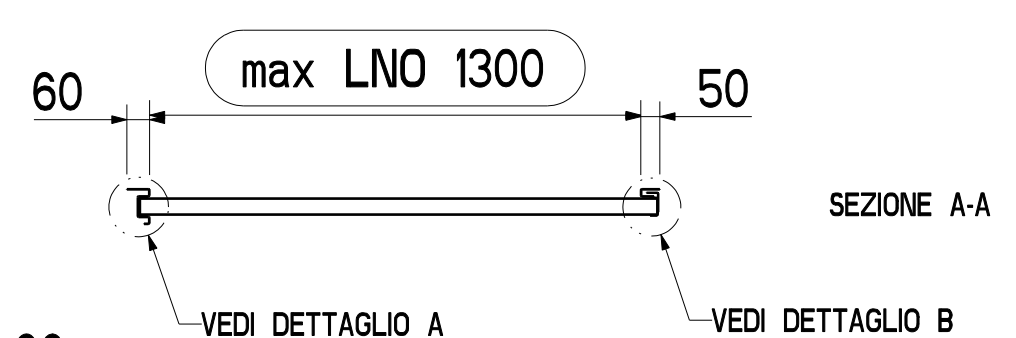
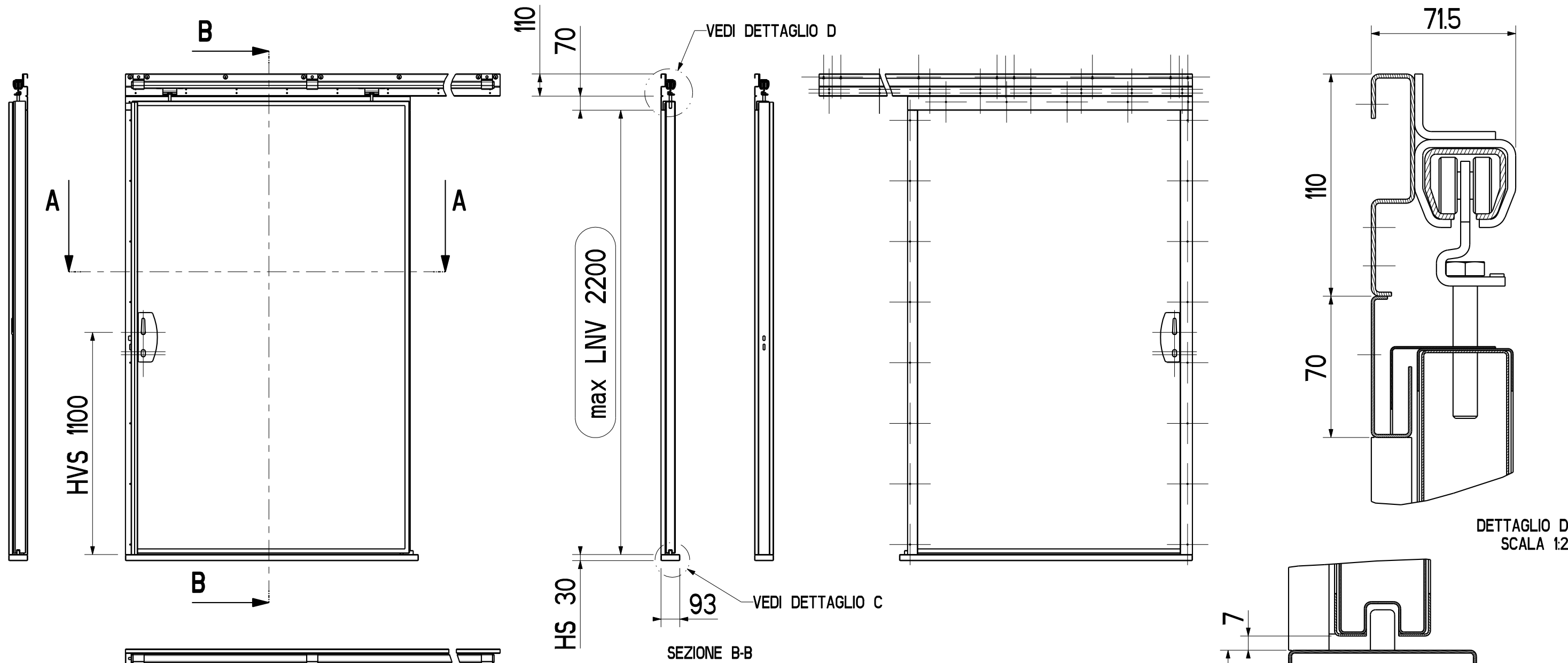
B15_blind_slidingdoor_B15DSB1

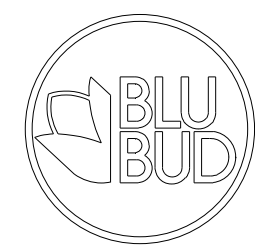
BLU BUD SRL
info@blubud.it
www.blubud.it

Sede legale:
Via Fieschi, 20/9
16121 Genova, Italia
c.f. e p.iva 01766240996
Reg. impr. Genova REA 43442

Engineering:
Via Ilva, 5/3
16128 Genova, Italia
t +39 010 86 01 379/618
f +39 010 81 83 053

Produzione e Magazzino
Via Remis, 16
33050 San Vito al Torre
Udine - Italia
t +39 0432 1848198



0	-	EMISSIONE		
REV.	DATA / DATE	DESCRIZIONE DELLE MODIFICHE / DESCRIPTION OF ALTERATIONS	CONTROLLATO CHECKED	MODIFICATO REVISED
RIFERIMENTO REFERENCE BLU BUD				
DESCRIZIONE DESCRIPTION B15 CLASS BLIND SLIDING DOOR 1 LEAF - B15DSB1				
MATERIALE MATERIAL *			SCALA SCALE	DATA DATE
SPESSORE THICKNESS *			1:20	07-May-20
NOTE NOTES 47		PESO NETTO kg NET WEIGHT kg 0.000	CONTROLLATO DA CHECKED BY	DISEGNATO DA DRAWN BY
A3		B15DSB1	ASSEM	B15DSB1
QUESTO DISEGNO NON PUO' ESSERE USATO O RIPRODOTTO SENZA NOSTRA AUTORIZZAZIONE THIS DRAWING CANNOT BE COPIED, DUPLICATED OR DISCLOSED TO ANYONE WITHOUT OUR APPROVAL			FOGLIO SHEET DIS. N° 1 / 1	DWG N° B15DSB1

BLUBUD SRL
 Operational office:
 via Iva 5/3
 16128 Genova - ITALY
 Tel +39. 010. 8601 379
 Fax +39. 010. 8183 053
 Registered office:
 via Fieschi 20/9
 16121 Genova - ITALY
 E-MAIL: info@blubud.it
 WWW: http://www.blubud.it