

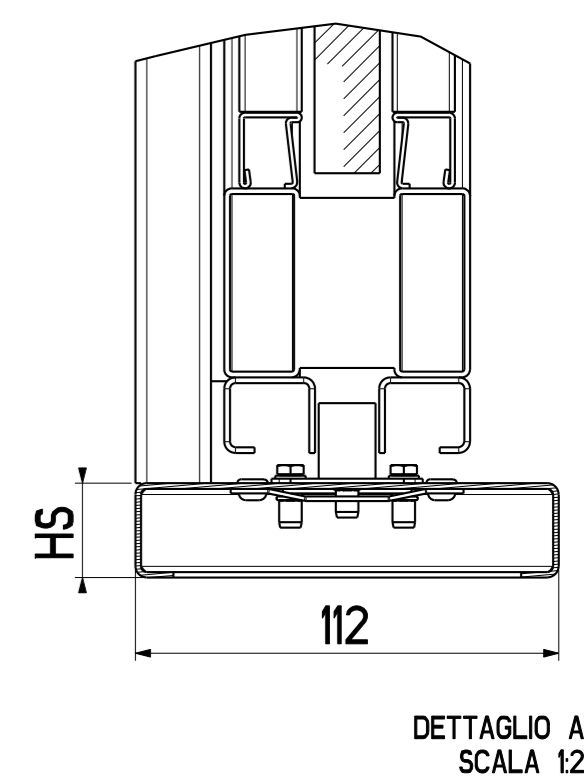
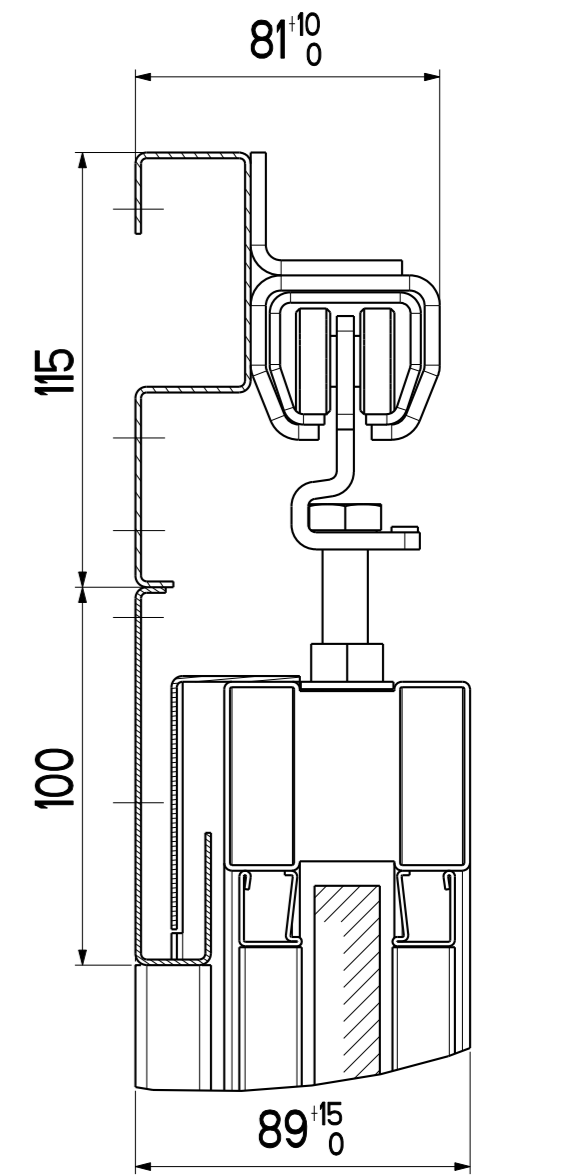
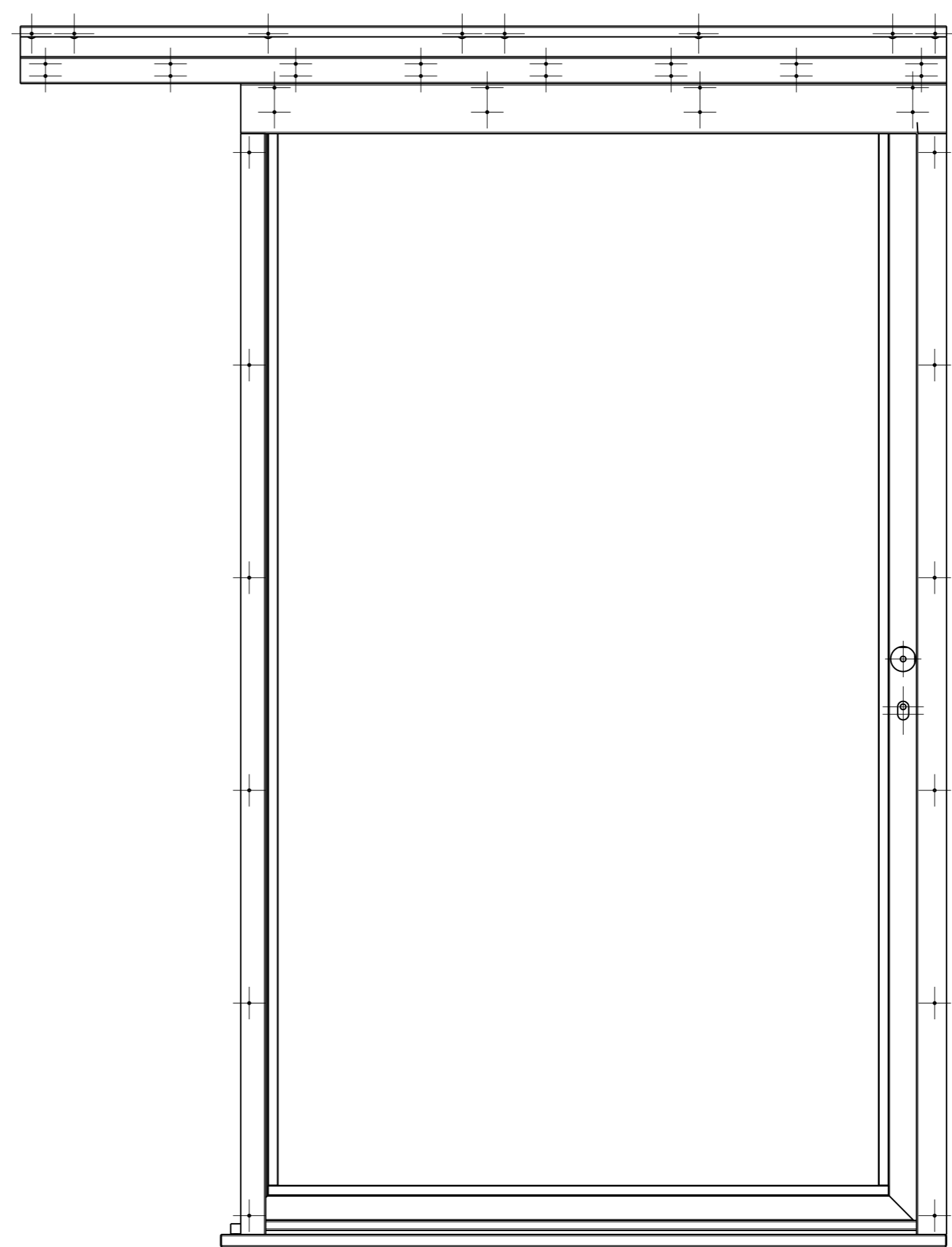
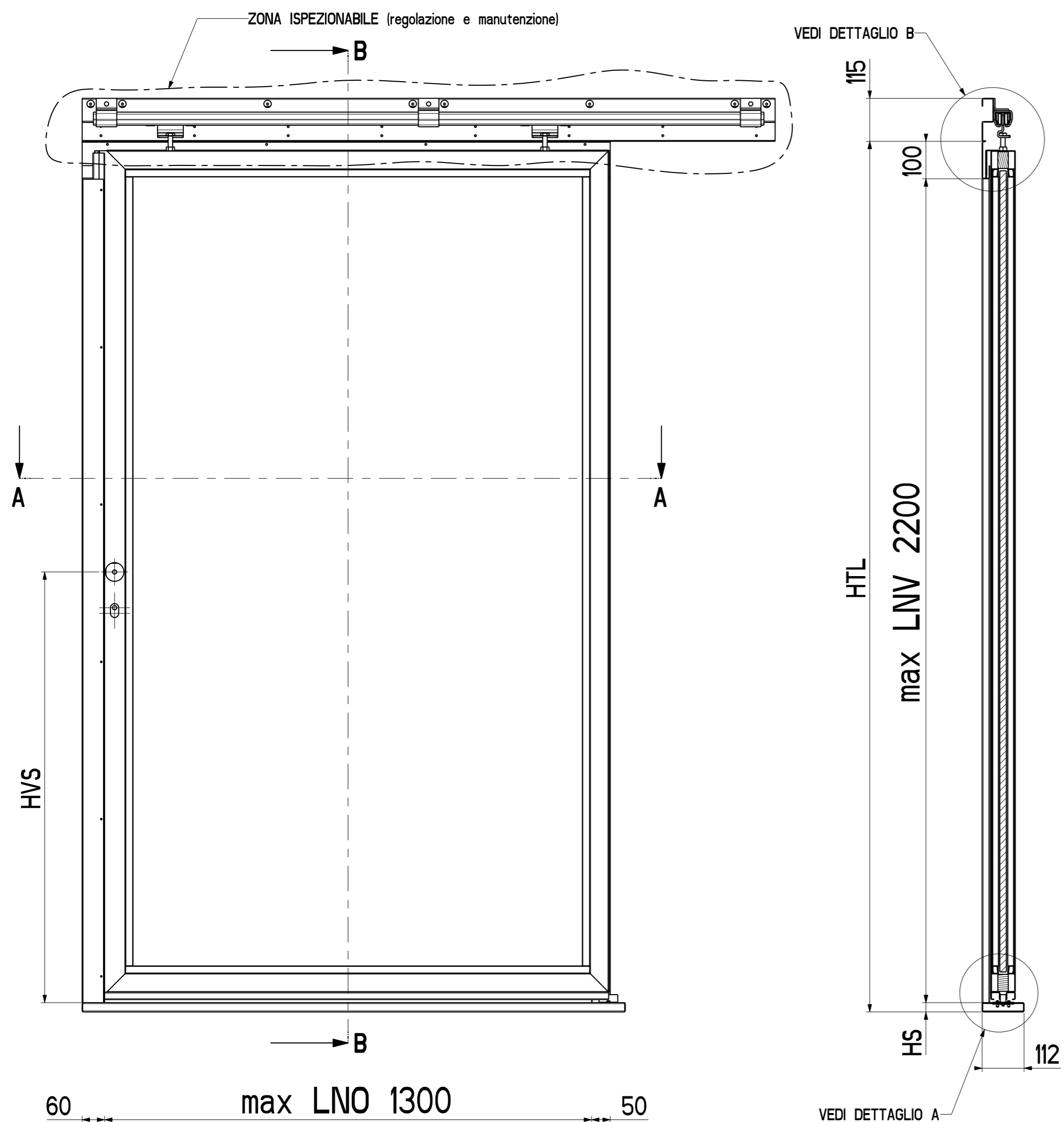


GLAZED SLIDING DOOR

General Information	
description	glazed, single leaf, manual or automatic sliding door
type	B15DSG1//B15DSG1A
manufacturer	Blu Bud srl
Application	
fire properties	B15 Class fire resistant
certificates, approvals	RINA MED Module B Nr. MED304320CS/001
drawing number	B15DSG1, B15DSG1A
Size	
max horizontal clear opening (LNO)	1300 mm
max vertical clear opening (LNV)	2200 mm
sill	25 mm
Frame	
section shape	see dwg
section size	see dwg
thickness of steel	1,5 mm
materials	steel or stainless steel (ss)
finishing	raw, paint, brushed or polished (ss)
counter frame thickness	1,5 mm
Leaf	
glass	PYROBEL EI 30
thickness minimum of glass	16 +/- 1 mm
thickness of door leaf	65 mm
Accessories	
standard	sill cover
extra	lock, automation device and onboard installation
decoration	custom request
Mechanical and physical properties	
noise reduction	n.a.

Product data sheet

B15_sliding_glassdoor_type_B15DSG1



REV. 1 - 28/10/2020

REV.	DATA / DATE	DESCRIZIONE DELLE MODIFICHE / DESCRIPTION OF ALTERATIONS	CONTROLLATO / CHECKED	MODIFICATO / REVISED
0	-	EMISSIONE		

RIFERIMENTO / REFERENCE BLU BUD		SCALA / SCALE		DATA / DATE	
DESCRIZIONE / DESCRIPTION B15 GLASS SLIDING DOOR - B15DSG1		1:10		27-Oct-20	
MATERIALE / MATERIAL *		BLUBUD SRL		Operational office:	
SPESORE / THICKNESS *		via Iva 5/3		16128 Genova - ITALY	
PESO NETTO kg / NET WEIGHT kg		Tel. +39. 010. 8601 379		Fax +39. 010. 8163 053	
0.000		Registered office:		via Fieschi 20/9	
NOTE / NOTES *		16121 Genova - ITALY		E-MAIL: info@blubud.it	
A2		B15DSG1.NEVI		ASSEM	
B15DSG1		B15DSG1		B15DSG1	

QUESTO DISEGNO NON PUO' ESSERE USATO O RIPRODOTTO SENZA NOSTRA AUTORIZZAZIONE. THIS DRAWING CANNOT BE COPIED, DUPLICATED OR DISCLOSED TO ANYONE WITHOUT OUR APPROVAL.

FOGLIO / SHEET 1 / 1

DIS. N° **B15DSG1**

