



Datasheet n. 871

A60 - RINA MED



## BLIND SLIDING DOOR

General Information	
description	blind, single leaf, manual or automatic sliding door
type	A60DSB1
manufacturer	Blu Bud srl
Application	
fire properties	A60 Class fire resistant
certificates, approvals	RINA MED Module B
drawing number	A60DSB1
Size	
max horizontal clear opening (LNO)	1100 mm
max vertical clear opening (LNV)	2200 mm
horizontal cut in bulkhead (TFO)	LNO
vertical cut in bulkhead (TFV)	LNV + sill height
sill	15mm
Frame	
section shape	see dwg
section size	see dwg
thickness of steel	3 mm
materials	steel or stainless steel (ss)
finishing	raw, paint, brushed or polished (ss)
Leaf	
concept	sandwich
thickness	56 mm
core	promat
material of skins	steel or stainless steel (ss)
coating	raw, laminates, PVC, brushed or polished (ss)
leaf frame	paint, brushed or polished (ss)
Accessories	
standard	lock, handle, sill cover,
extra	counterweight, automation device and onboard installation
Mechanical and physical properties	
noise reduction	n.a.

Product data sheet

B15\_blind\_slidingdoor\_B15DSB1

BLU BUD SRL

info@blubud.it  
www.blubud.it

Sede legale:

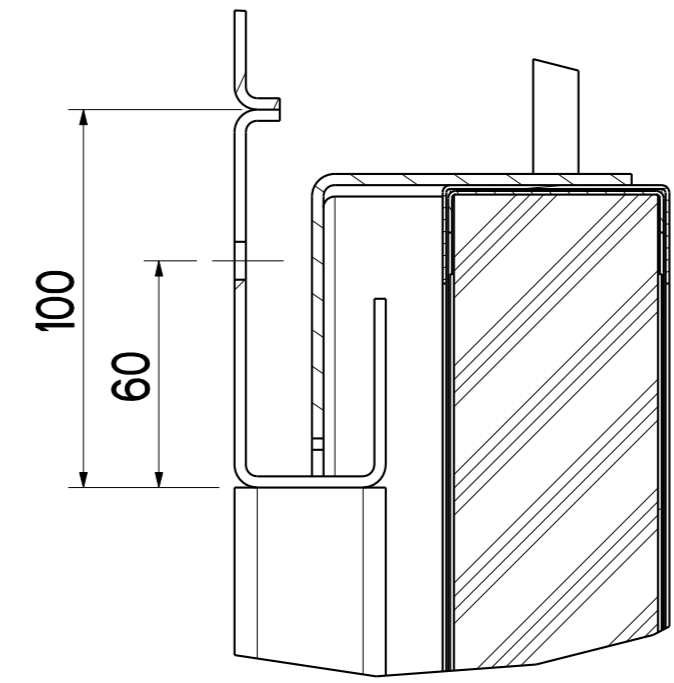
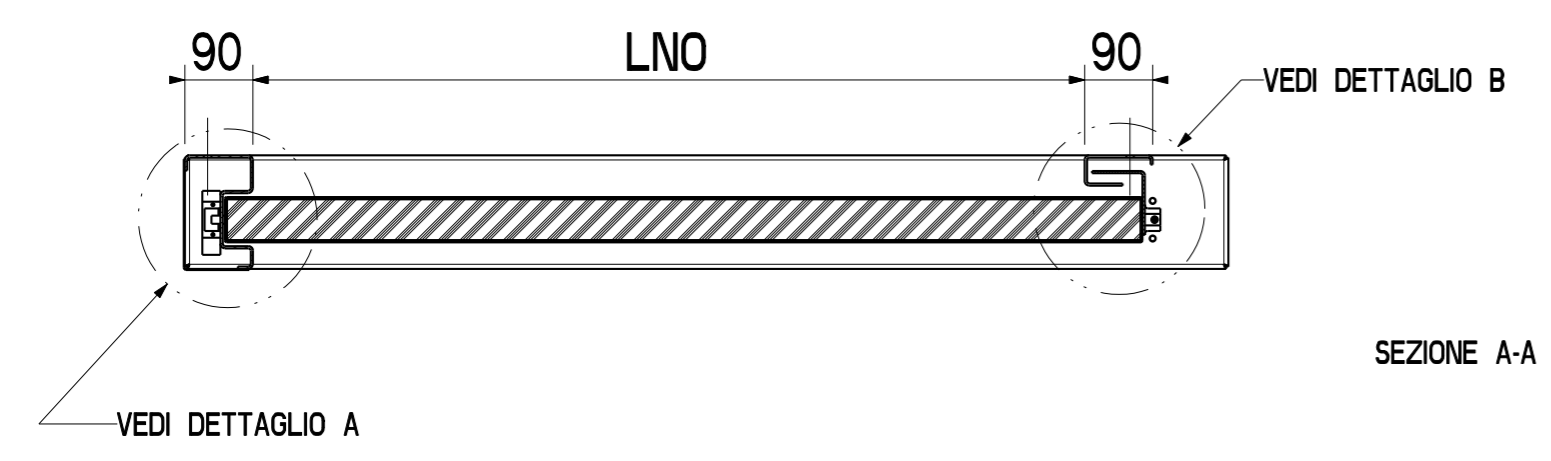
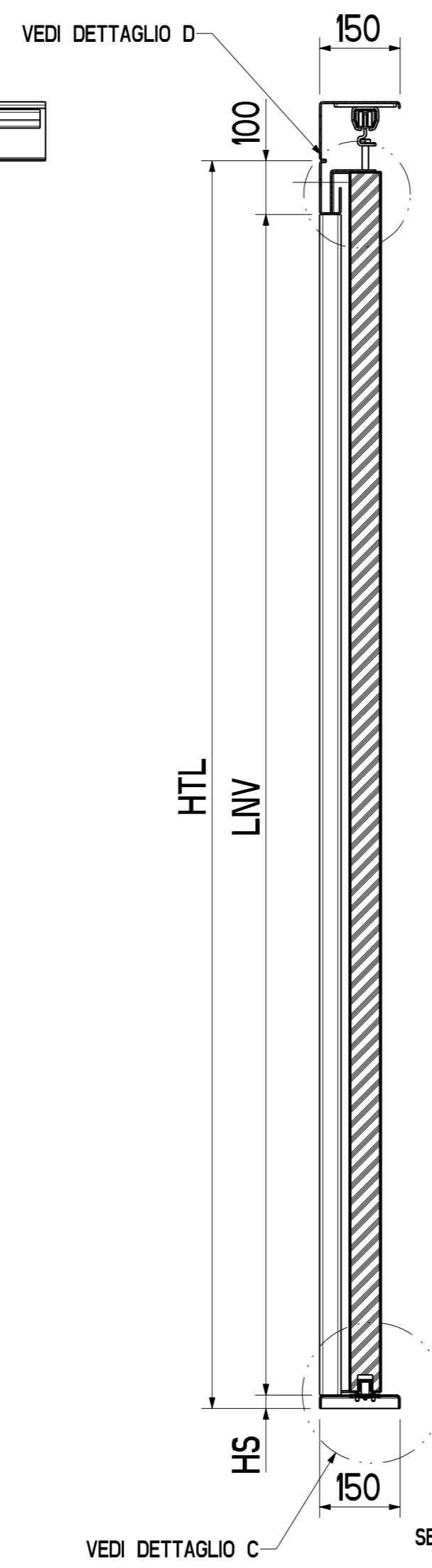
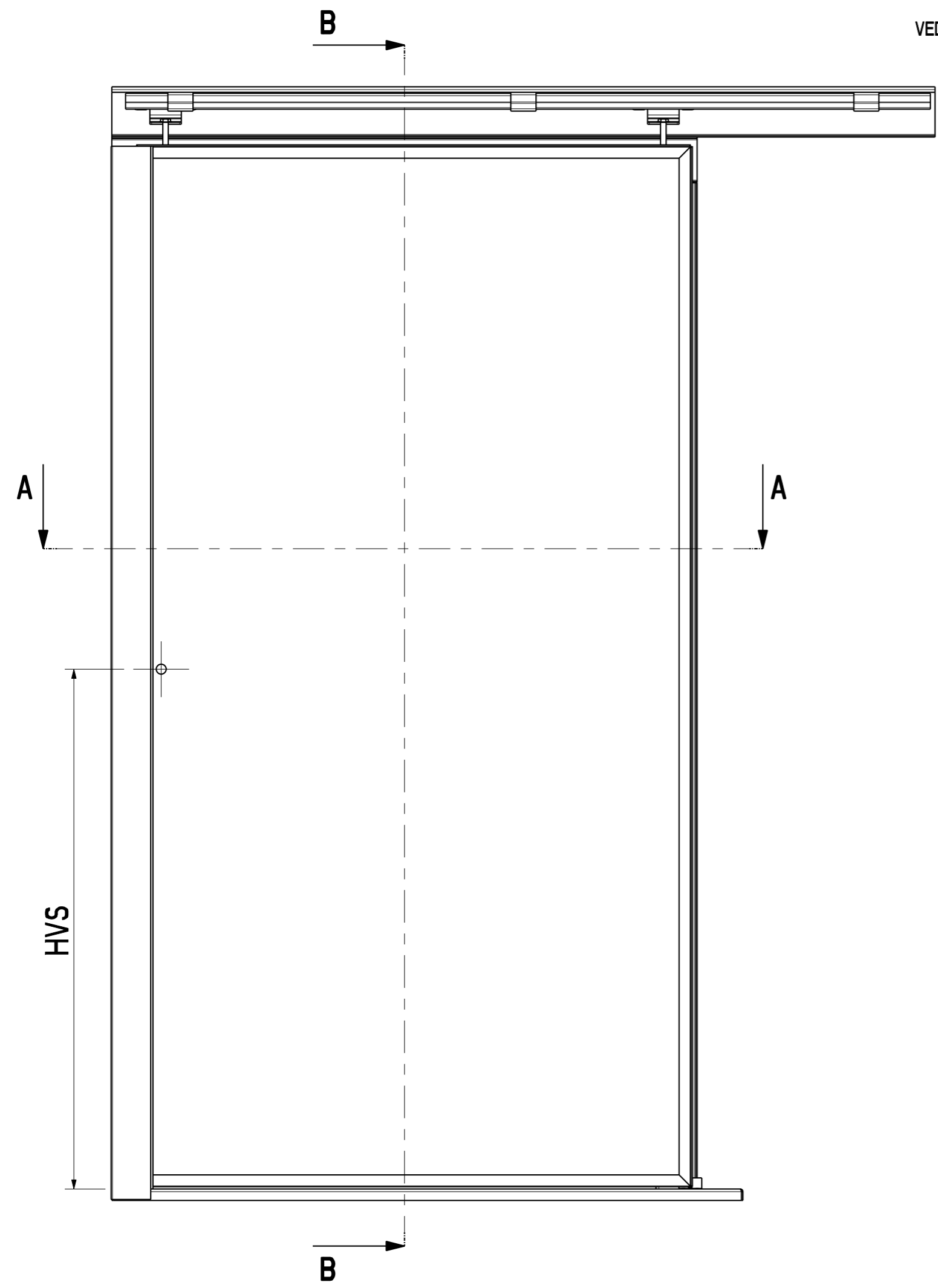
Via Fieschi, 20/9  
16121 Genova, Italia  
c.f. e p.iva 01766240996  
Reg. impr Genova REA 43442

Edilizia:

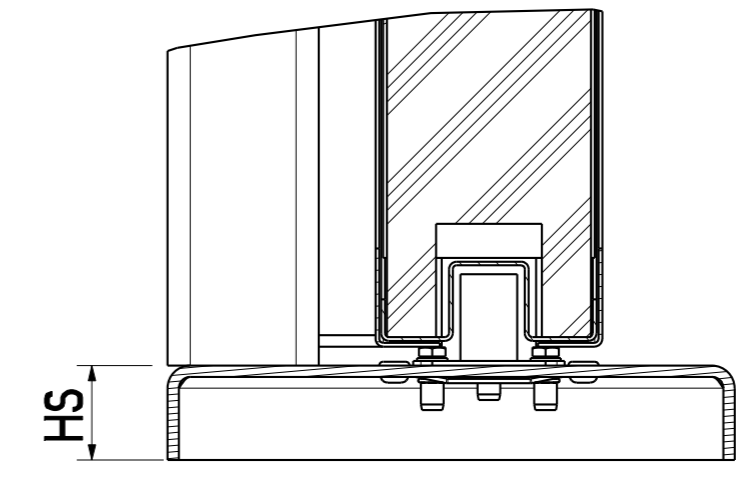
Via Ilva, 5/3  
16128 Genova, Italia  
t +39 010 86 01 379/618  
f +39 010 81 83 053

Navi & Yacht:

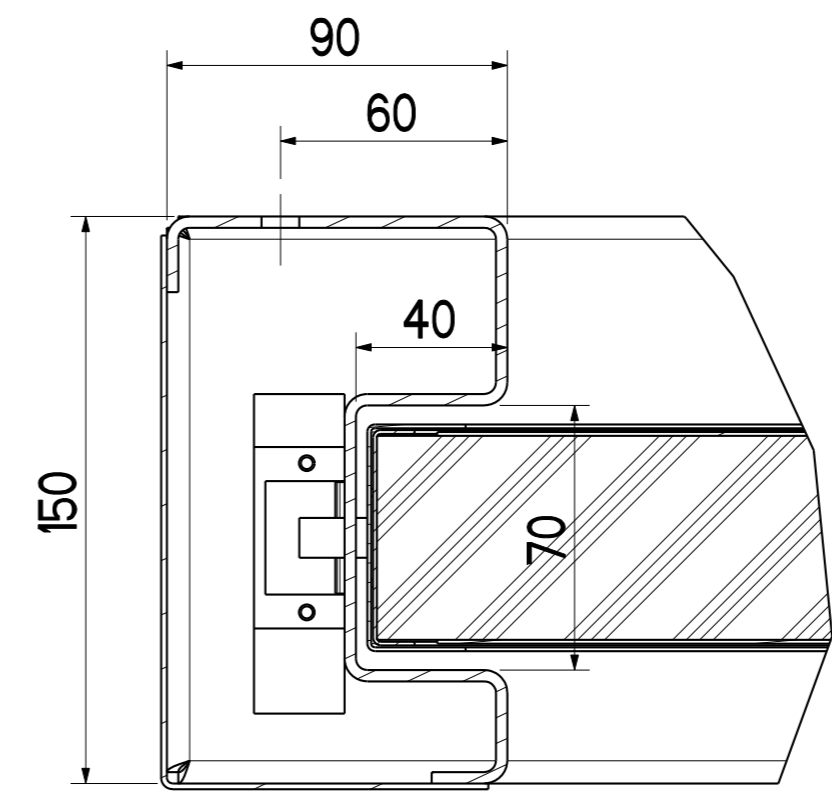
Via Remis, 16  
33050 San Vito al Torre  
Udine - Italia  
t +39 0432 1848198



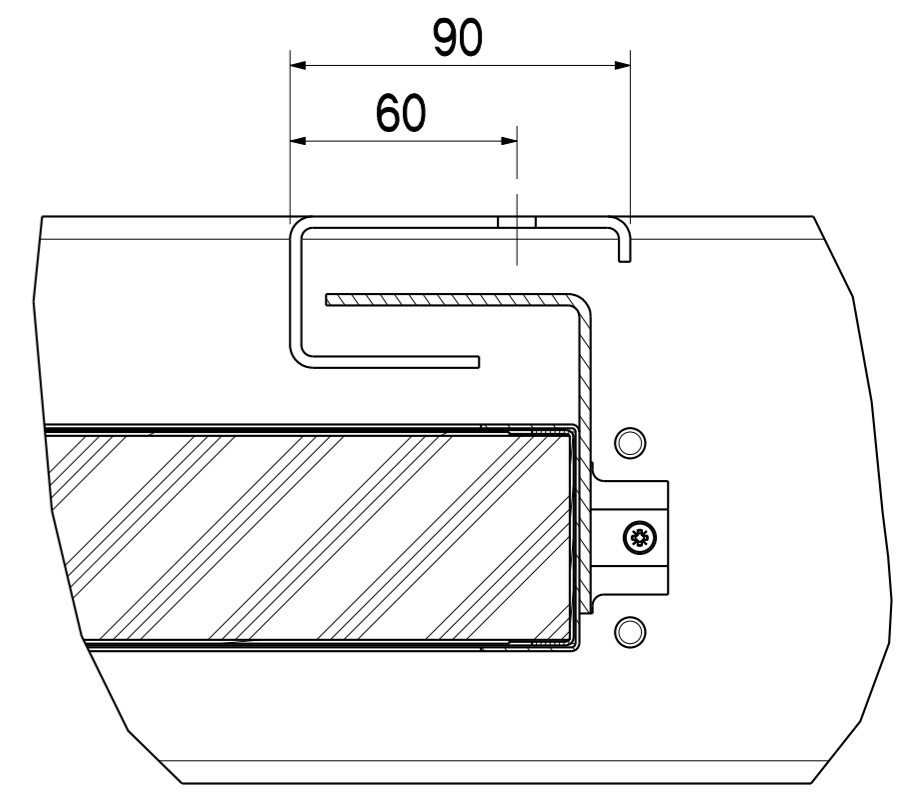
DETTAGLIO D  
SCALA 1:2



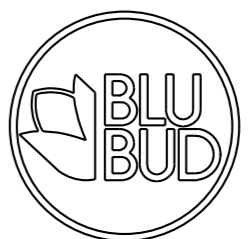
DETTAGLIO C  
SCALA 1:2



DETTAGLIO A  
SCALA 1:2



DETTAGLIO B  
SCALA 1:2

0	-	EMISSIONE		
REV.	DATA / DATE	DESCRIZIONE DELLE MODIFICHE / DESCRIPTION OF ALTERATIONS	CONTROLLATO / CHECKED	MODIFICATO / REVISED
RIFERIMENTO / REFERENCE: <b>BLU BUD</b> DESCRIZIONE / DESCRIPTION: <b>A60 CLASS BLIND SLIDING DOOR 1 LEAF - A60DSB1</b>				
MATERIALE / MATERIAL * SPESSORE / THICKNESS *		 BLUBUD SRL Operational office: via Ilya 5/3 16128 Genova - ITALY Tel. +39. 010. 8601 379 Fax +39. 010. 8183 053 Registered office: via Fieschi 20/9 16121 Genova - ITALY E-MAIL: info@blubud.it WWW: http://www.blubud.it	SCALA / SCALE <b>1:10</b>	DATA / DATE <b>19-May-21</b>
NOTE / NOTES *			CONTROLLATO DA / CHECKED BY -	DISEGNATO DA / DRAWN BY -
A2	A60DSB1	ASSEMB	A60DSB1	FOGLIO / SHEET <b>1 / 1</b> DIS. N° <b>A60DSB1</b> DINO N°

QUESTO DISEGNO NON PUO' ESSERE USATO O RIPRODOTTO SENZA NOSTRA AUTORIZZAZIONE.  
THIS DRAWING CANNOT BE COPIED, DUPLICATED OR DISCLOSED TO ANYONE WITHOUT OUR APPROVAL.